

Metal Shed

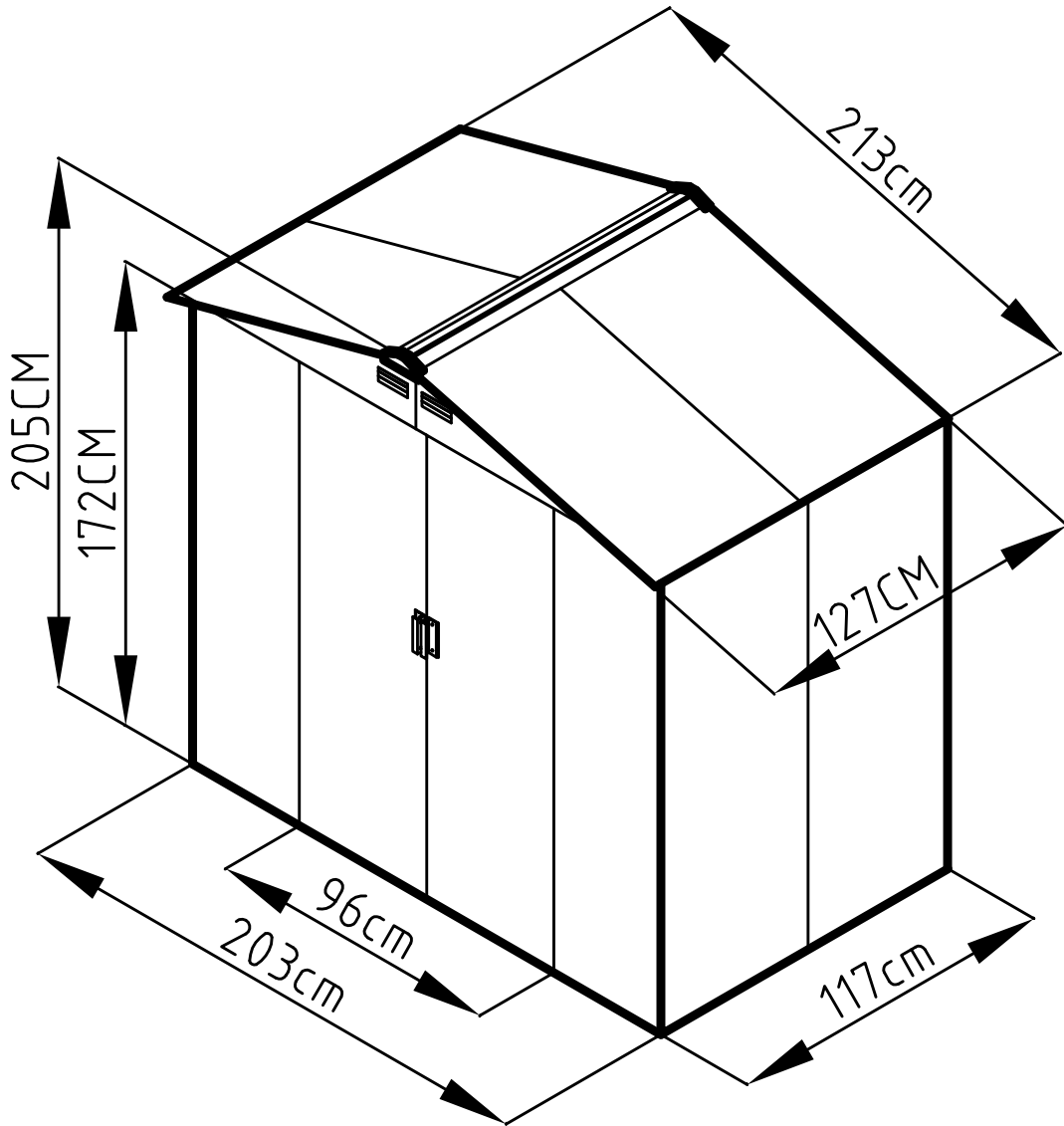
OWNER'S MANUAL /

Instructions for Assembly Archer Plus-A

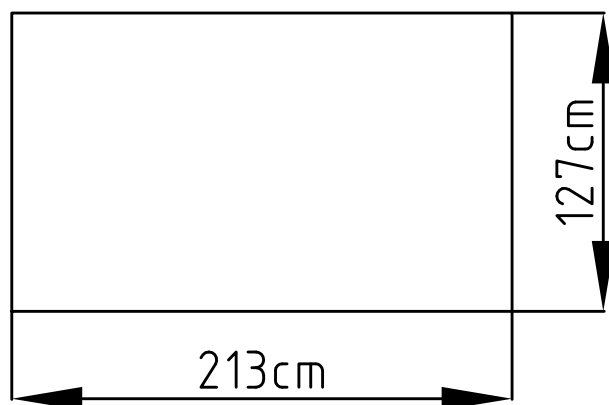


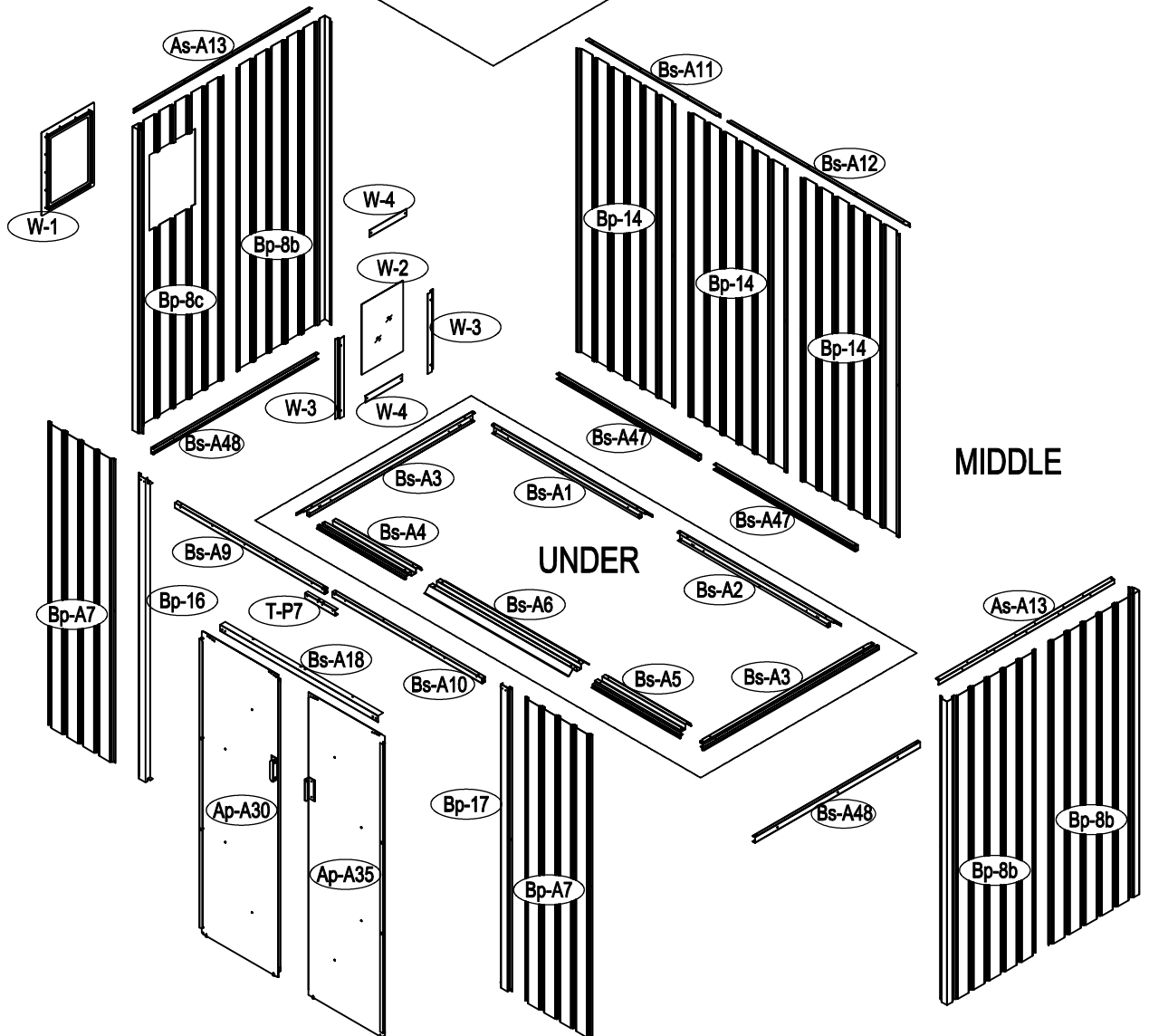
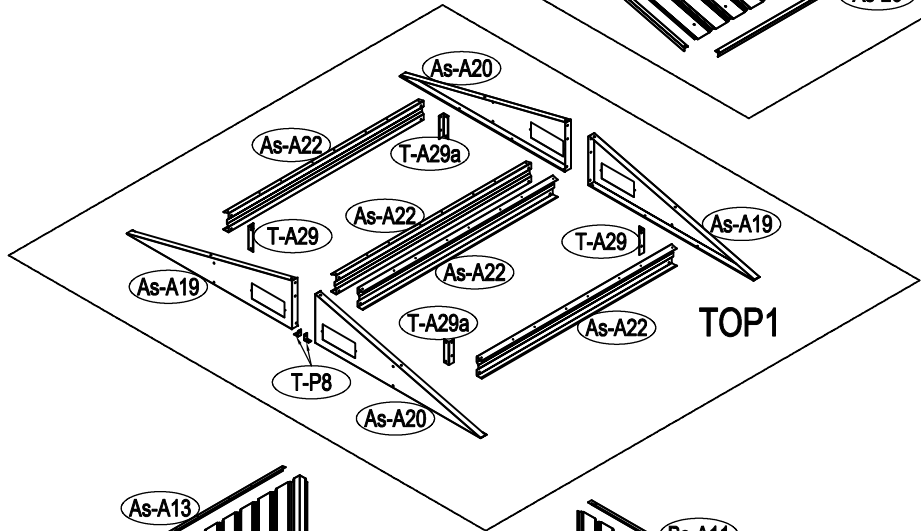
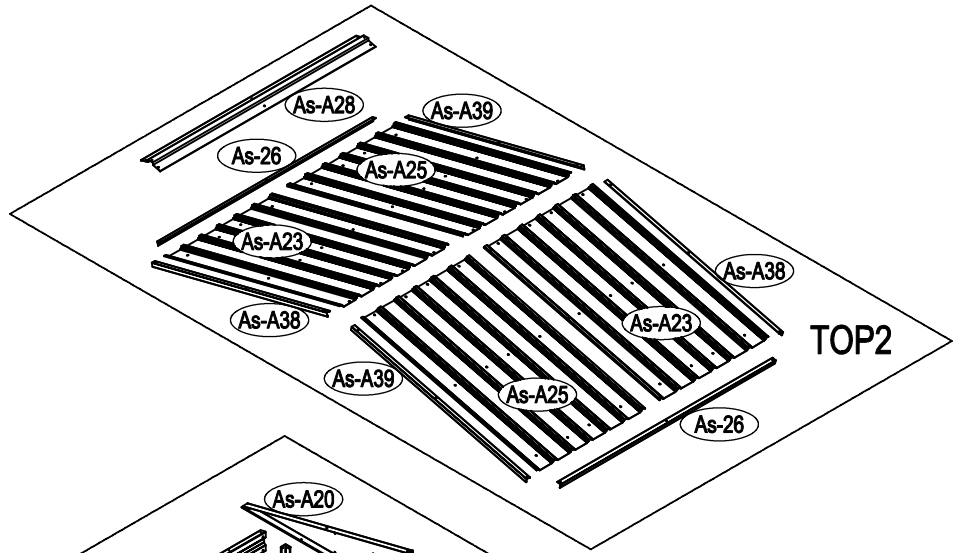
Requires two people and takes 2-3 hours for Installation.

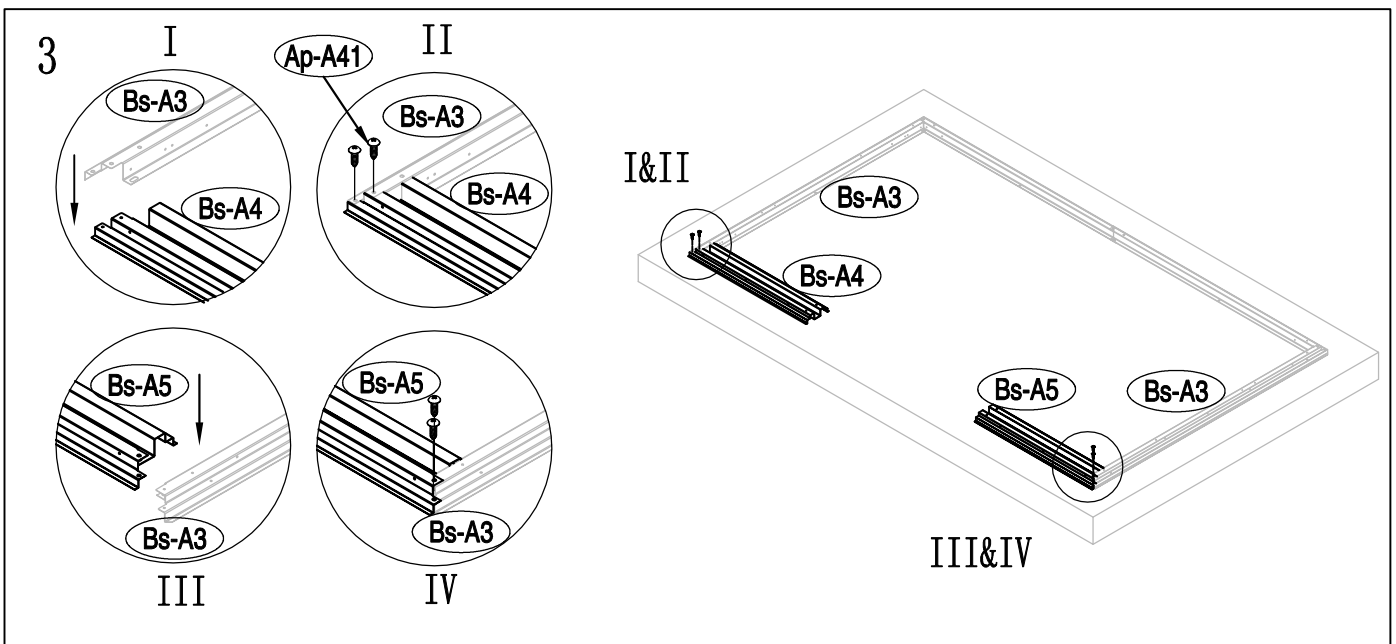
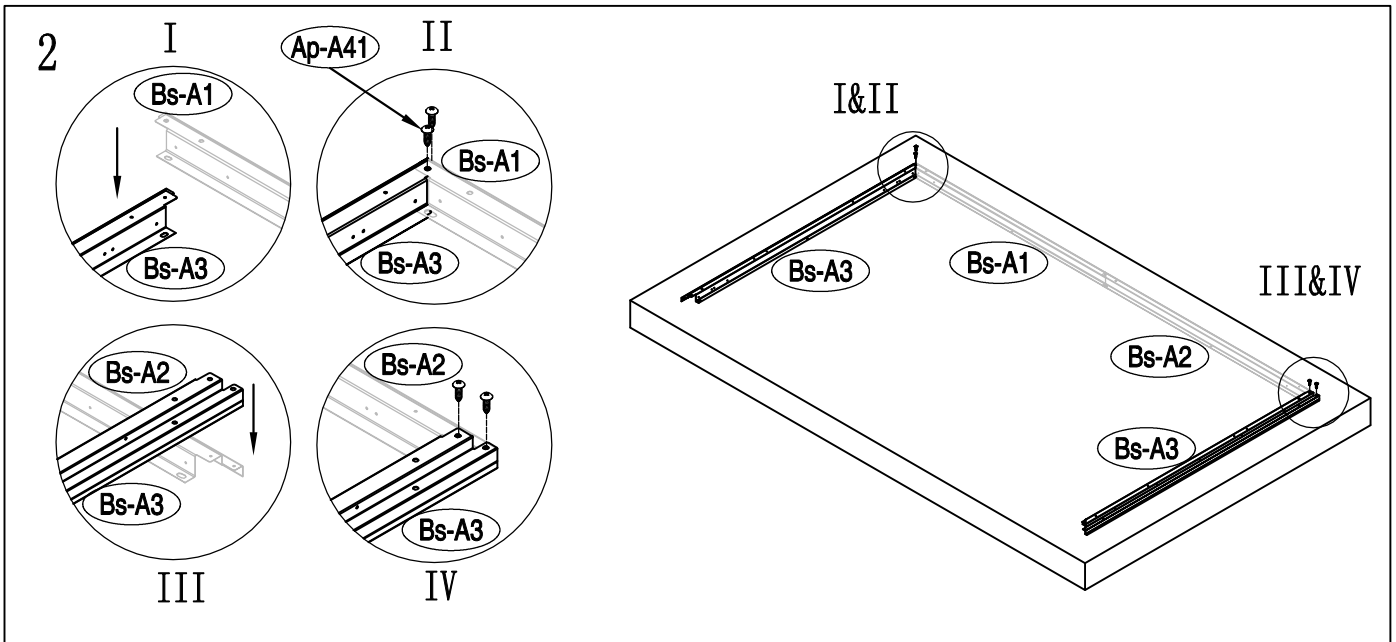
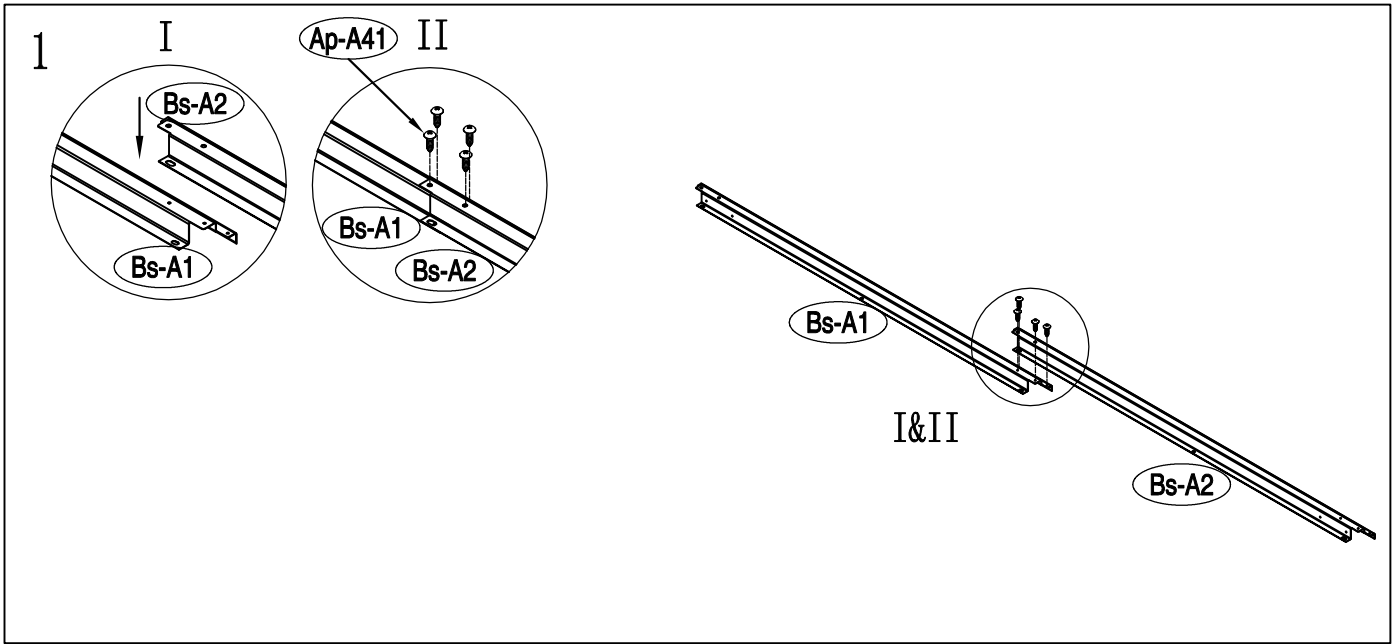
Size of Archer Plus-A:

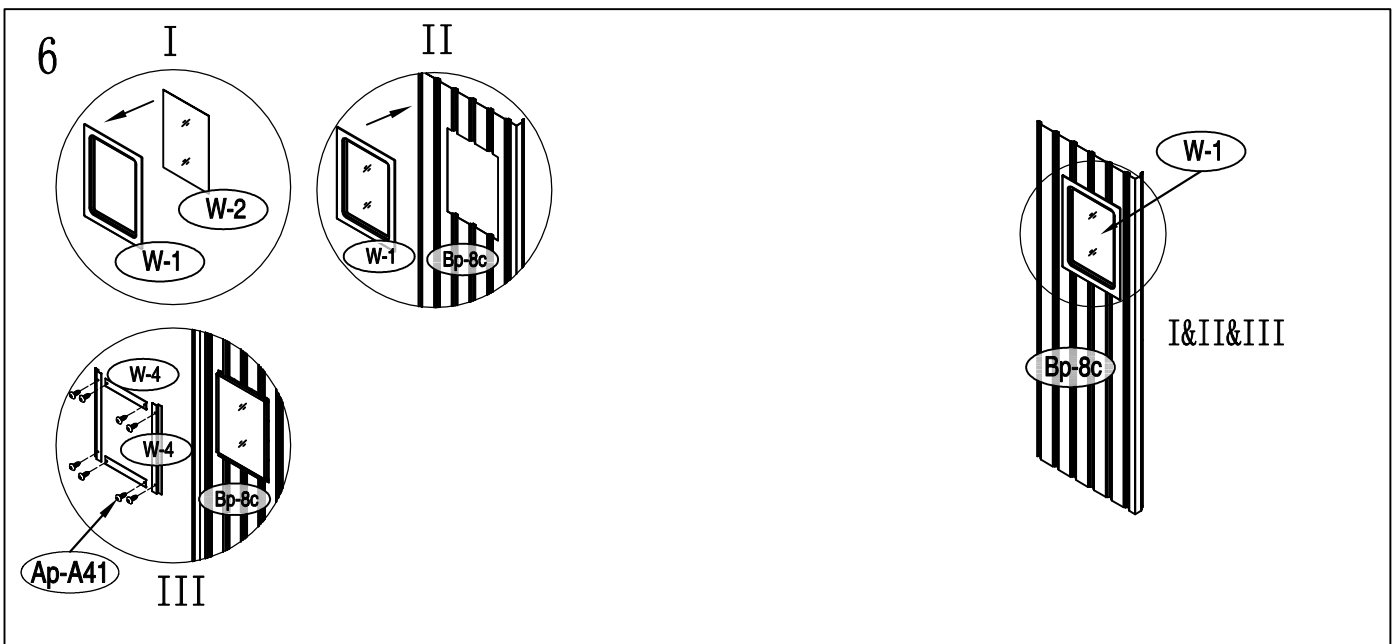
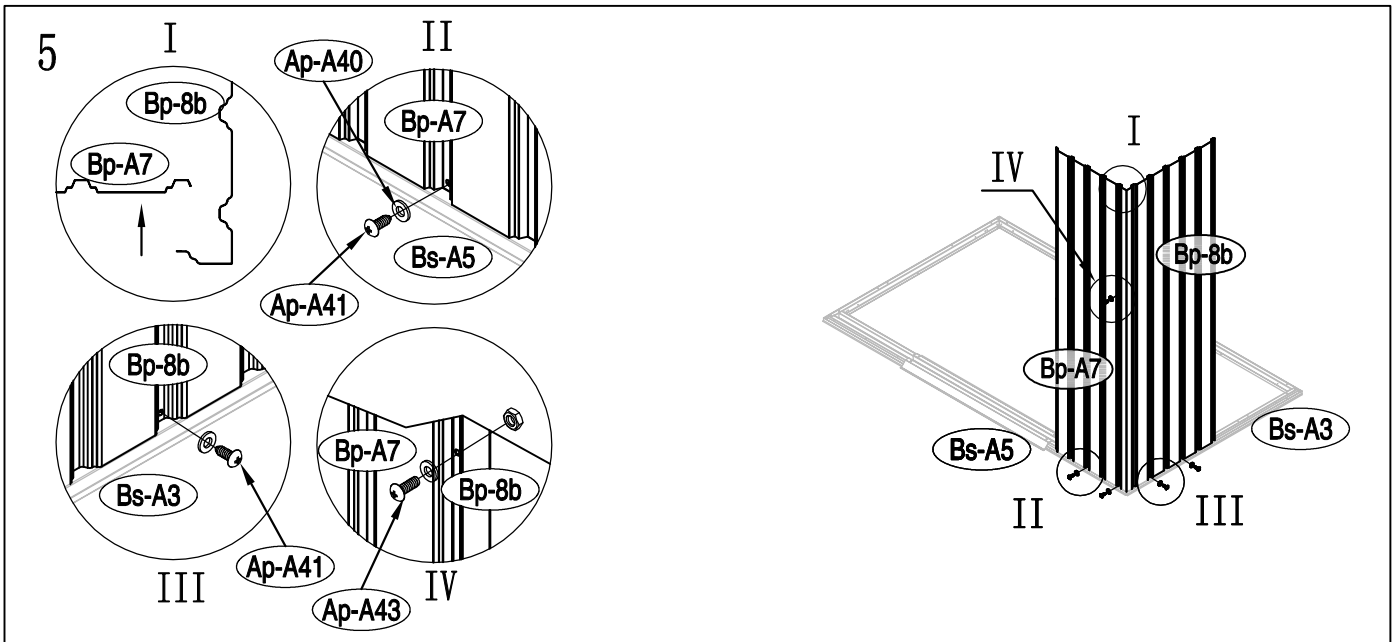
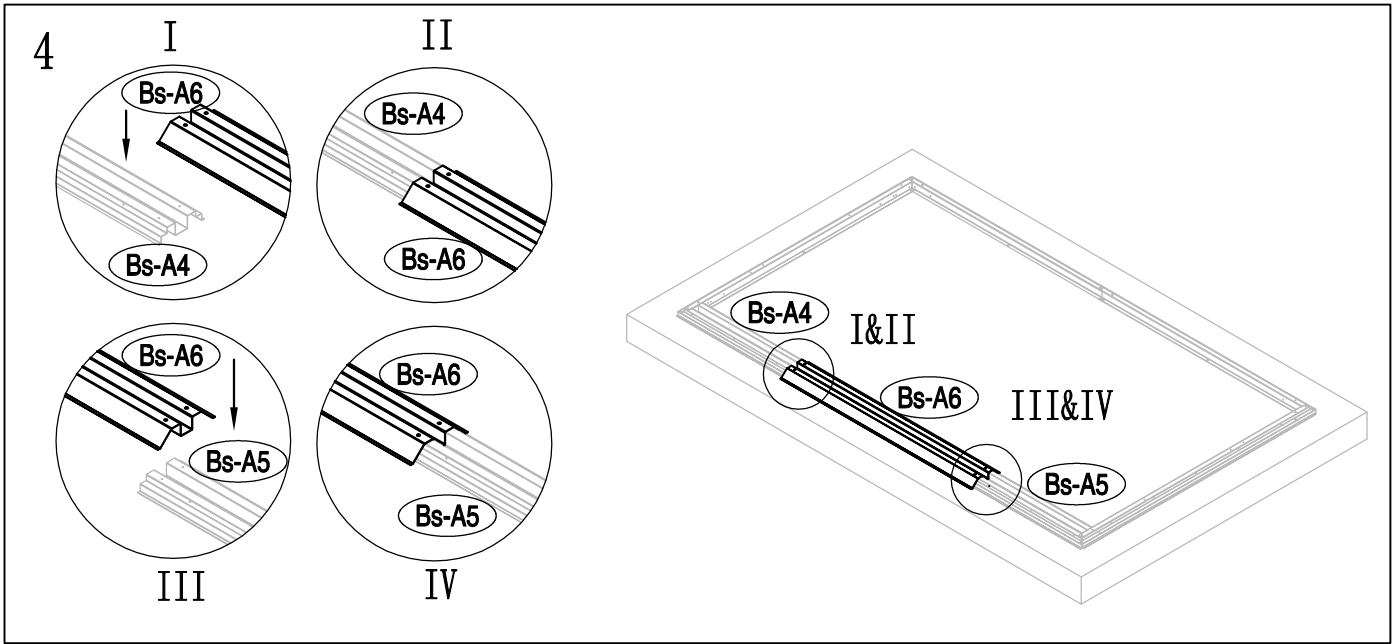


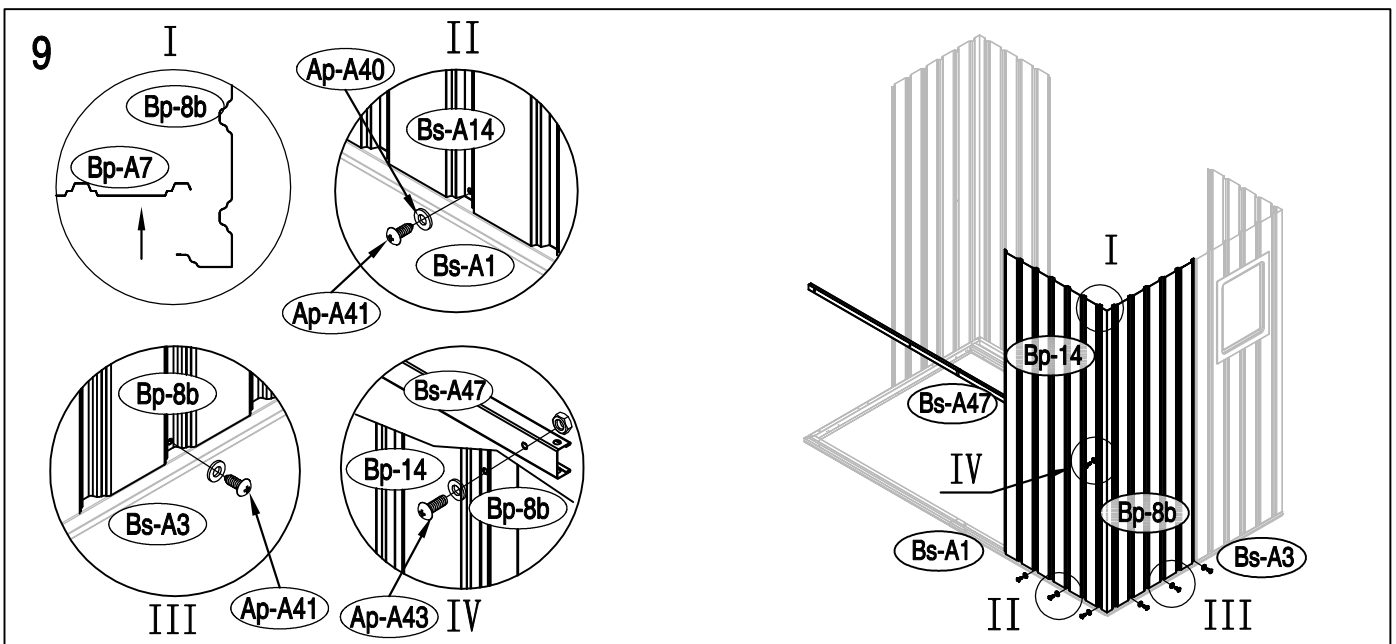
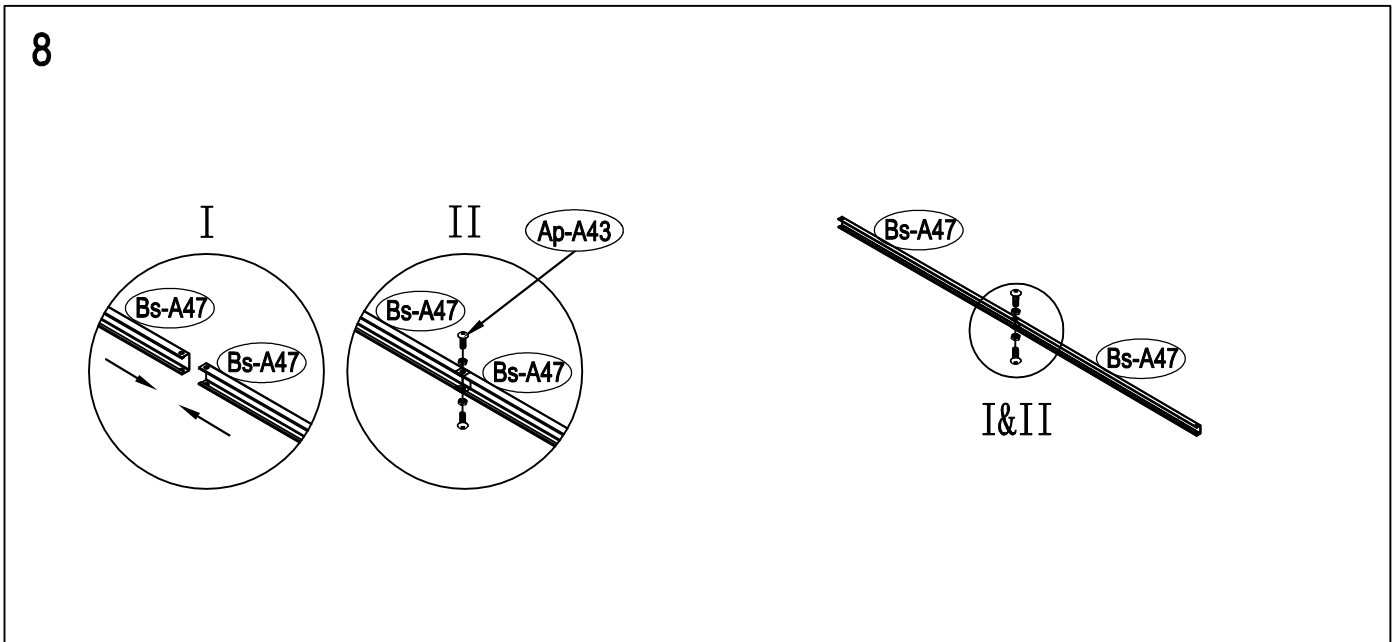
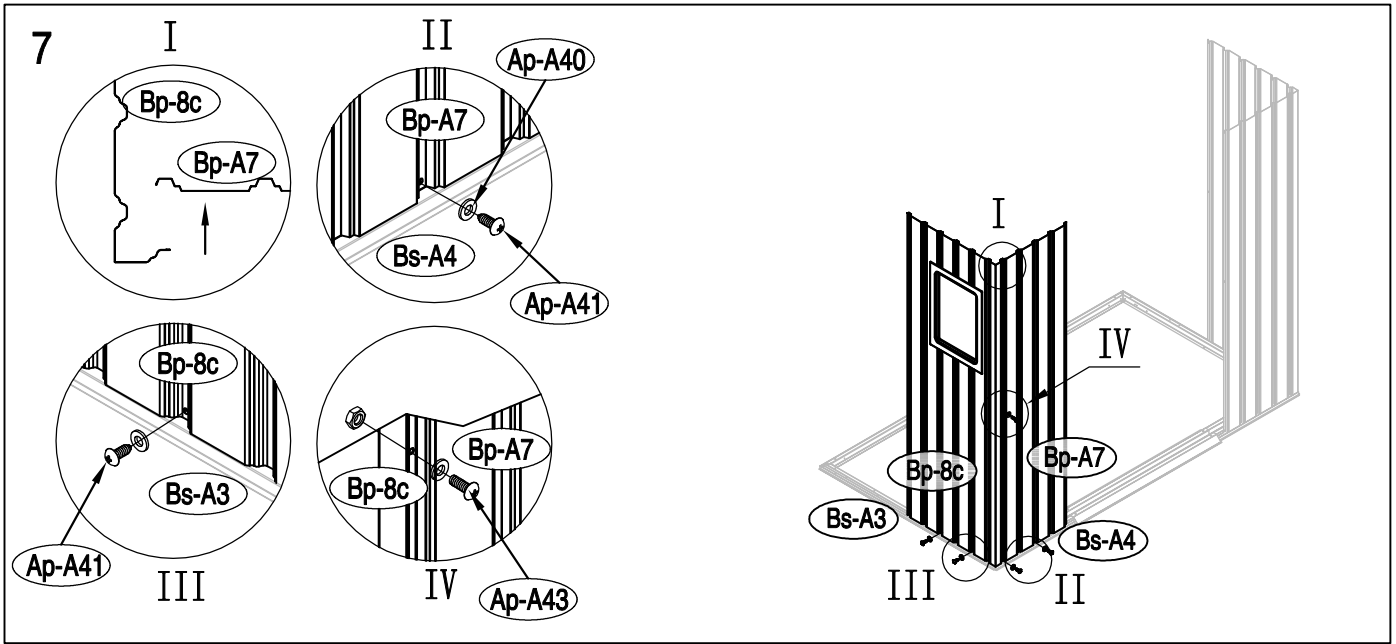
Area of installation requirement:

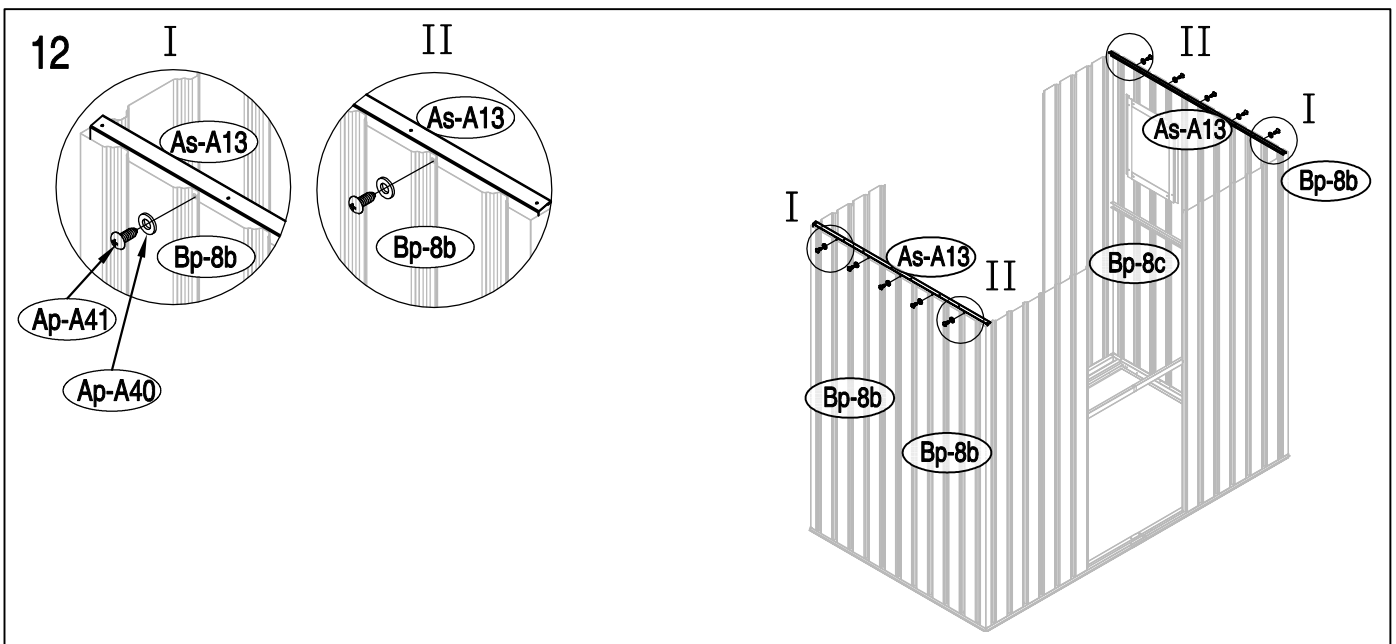
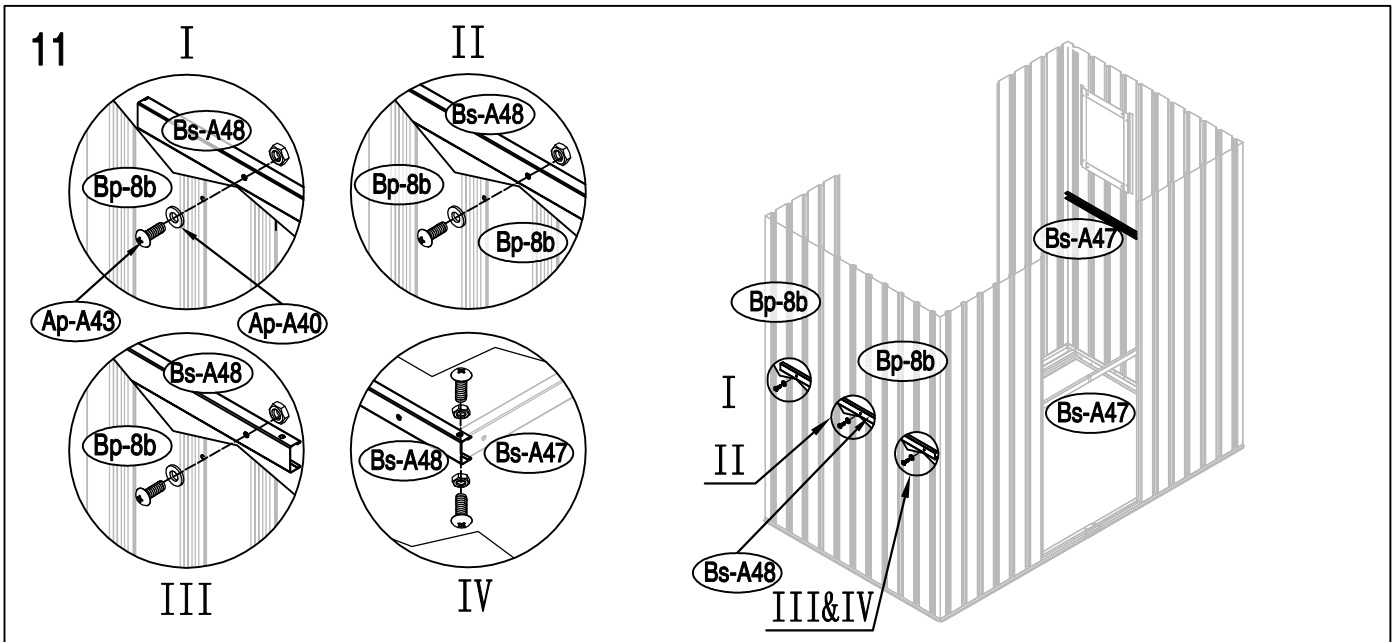
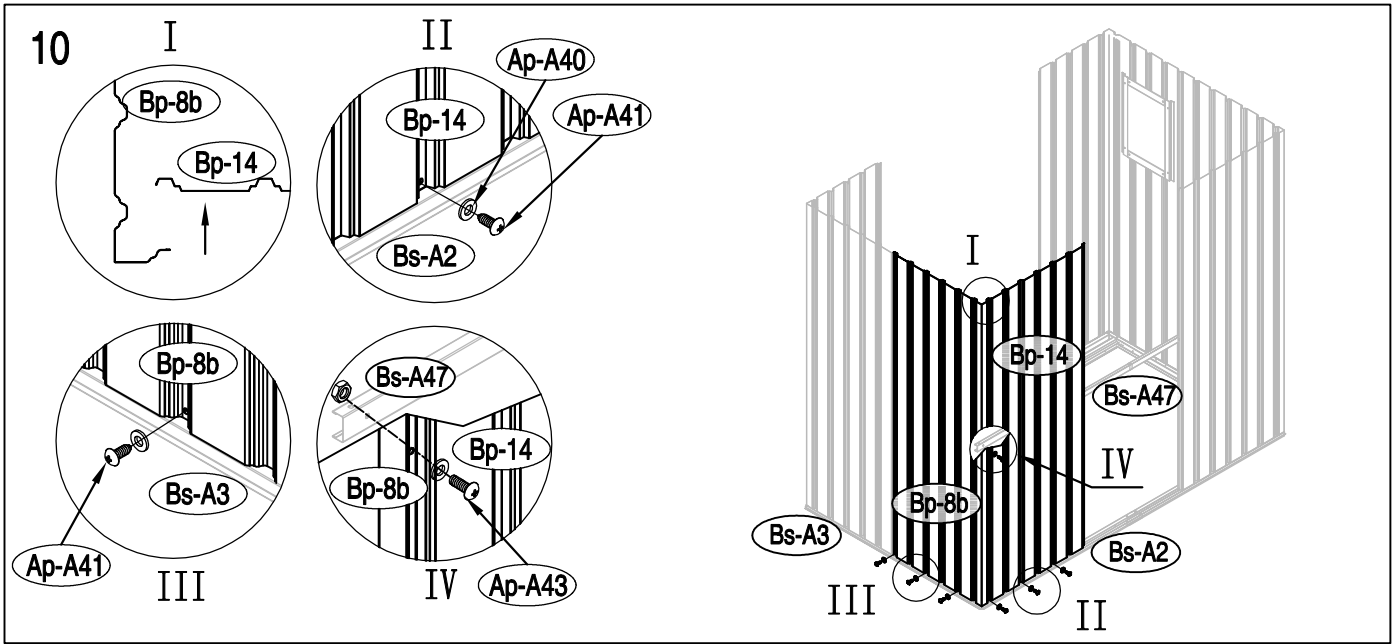


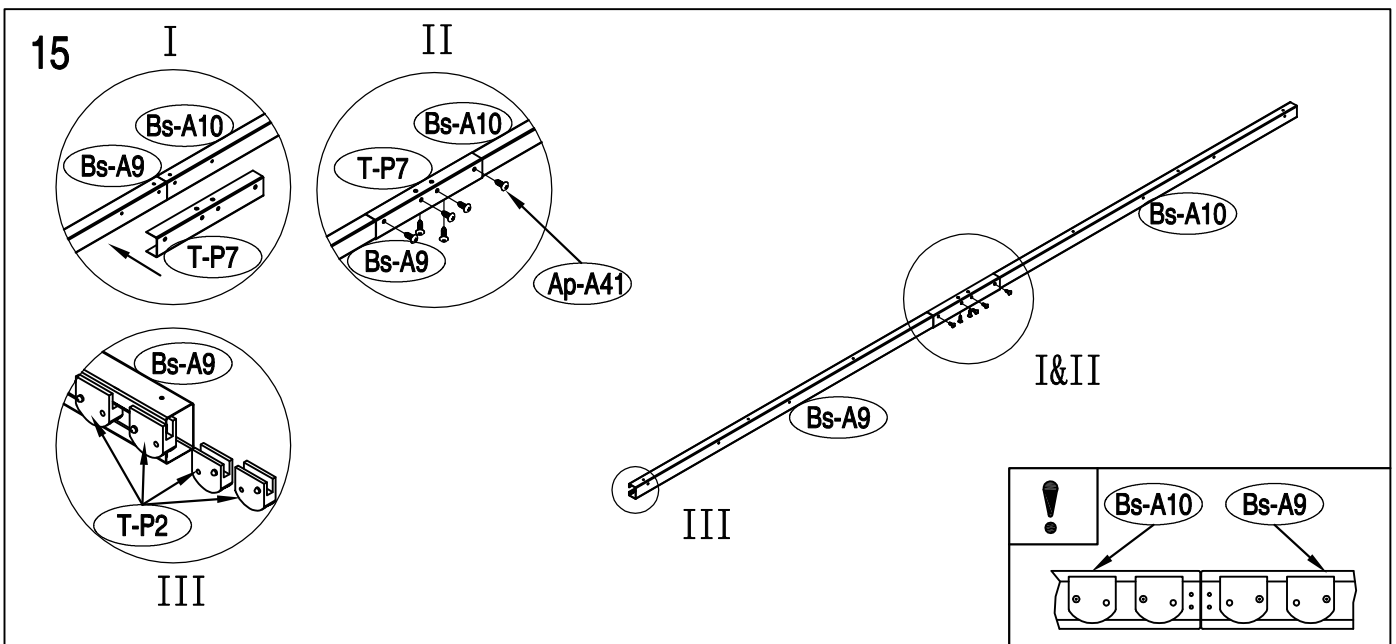
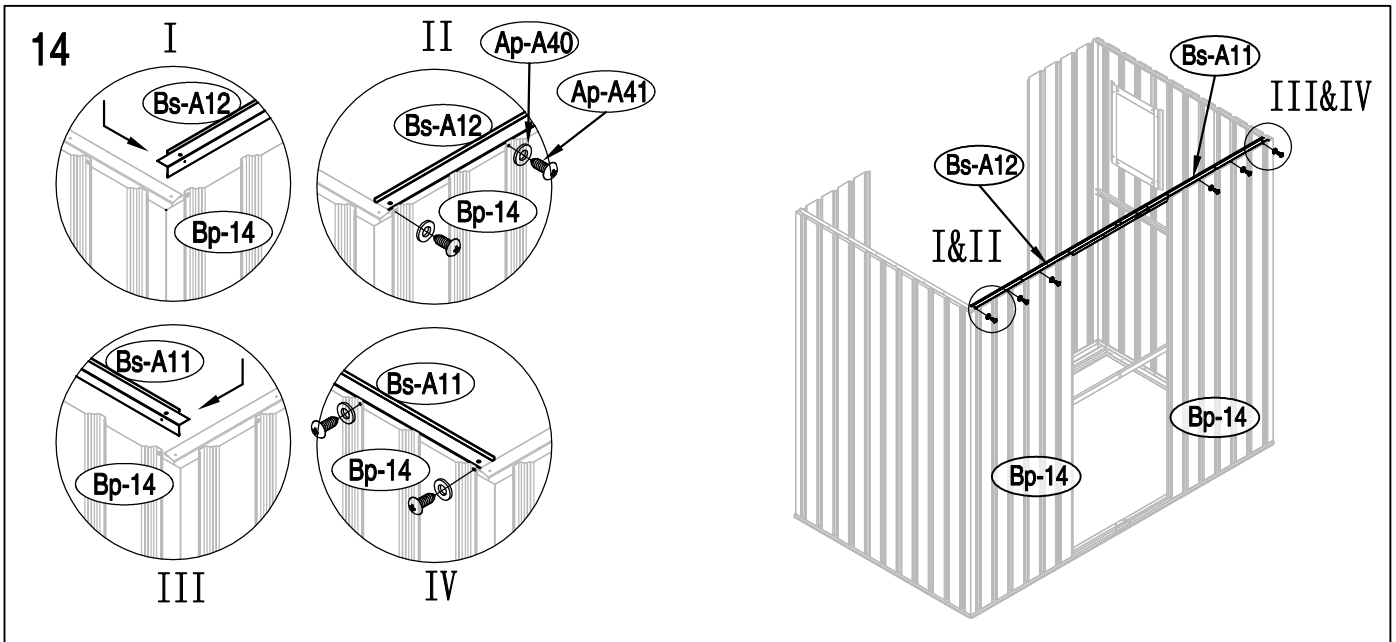
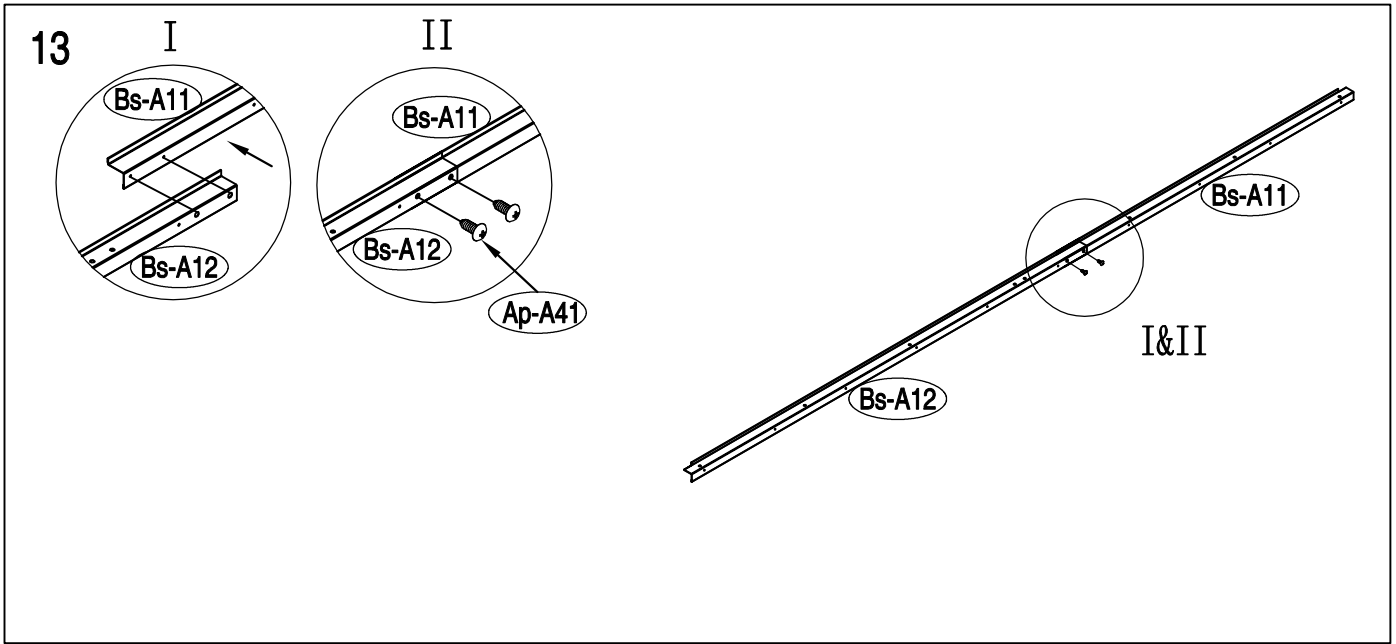


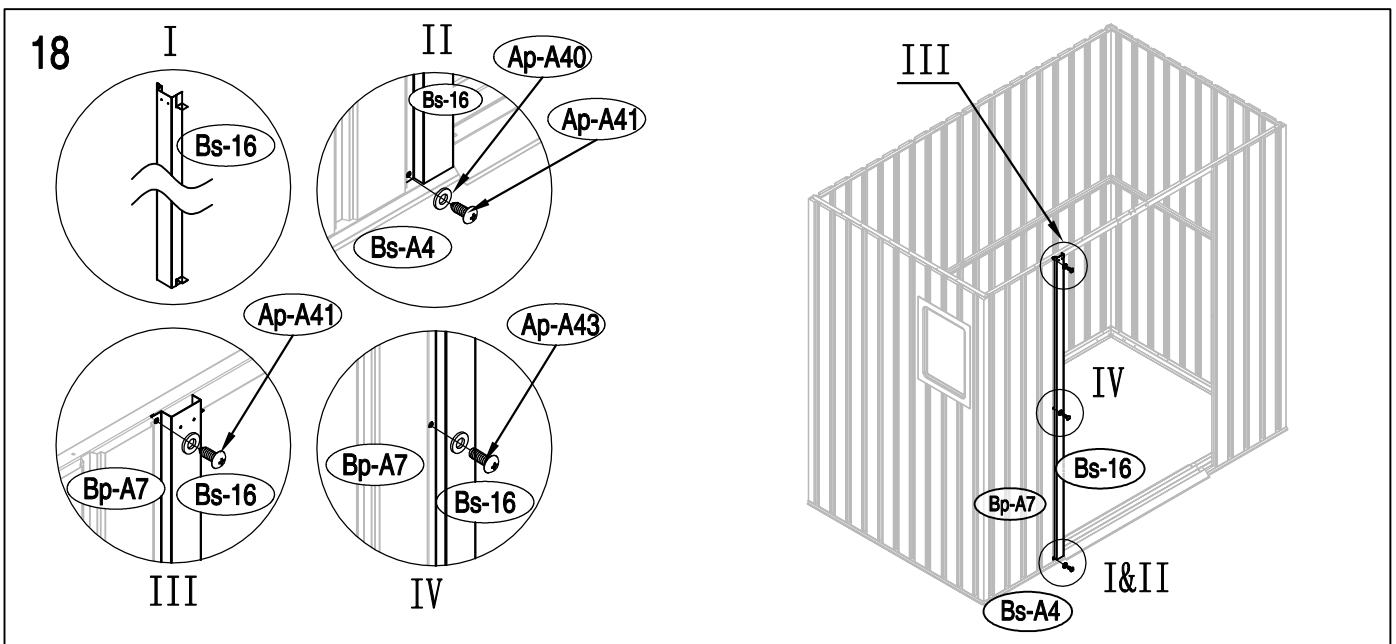
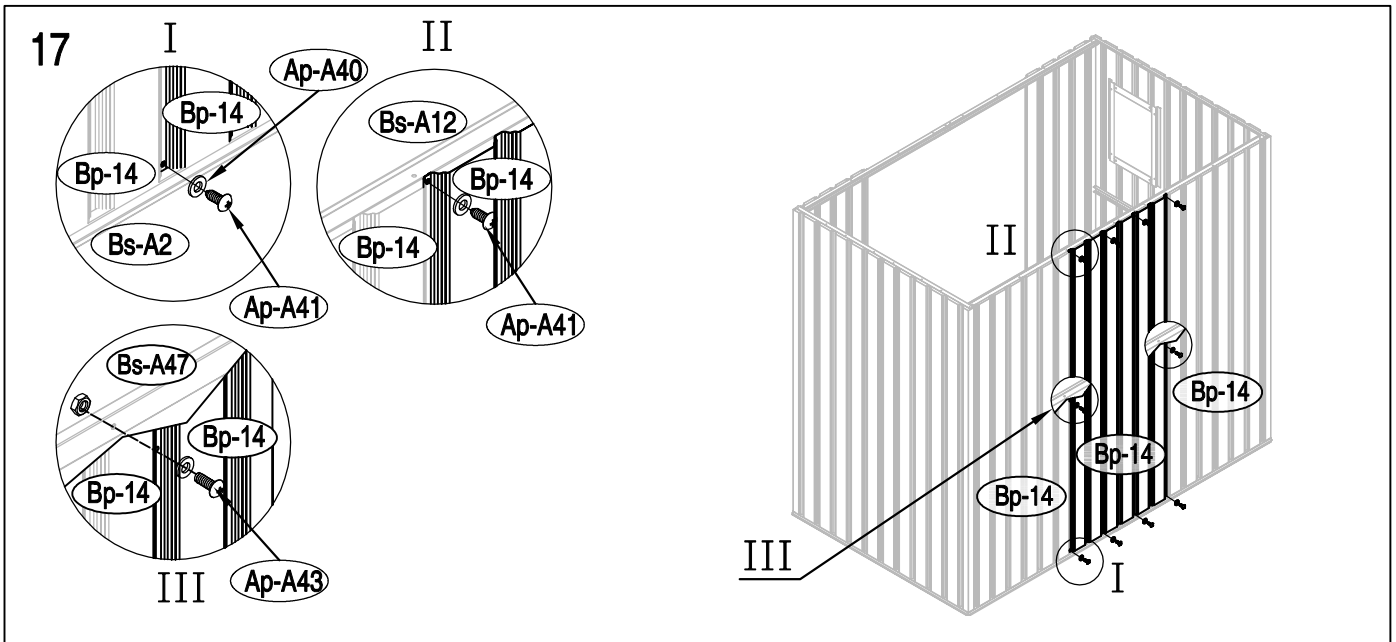
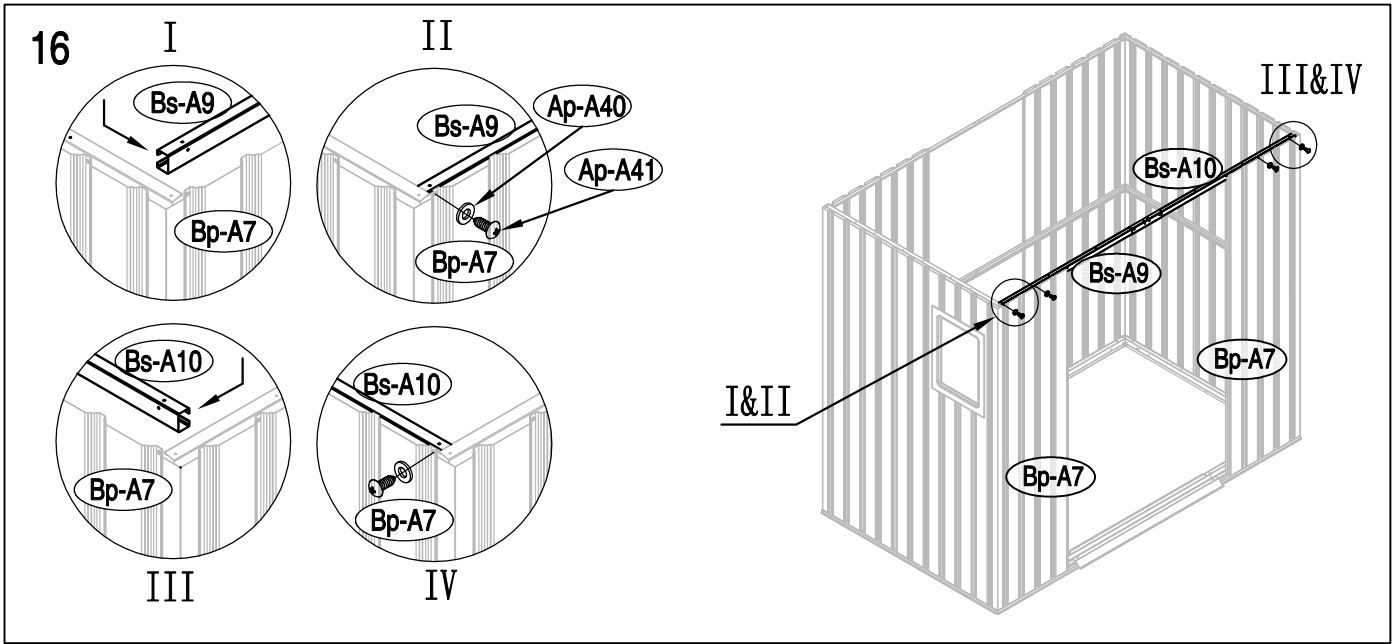


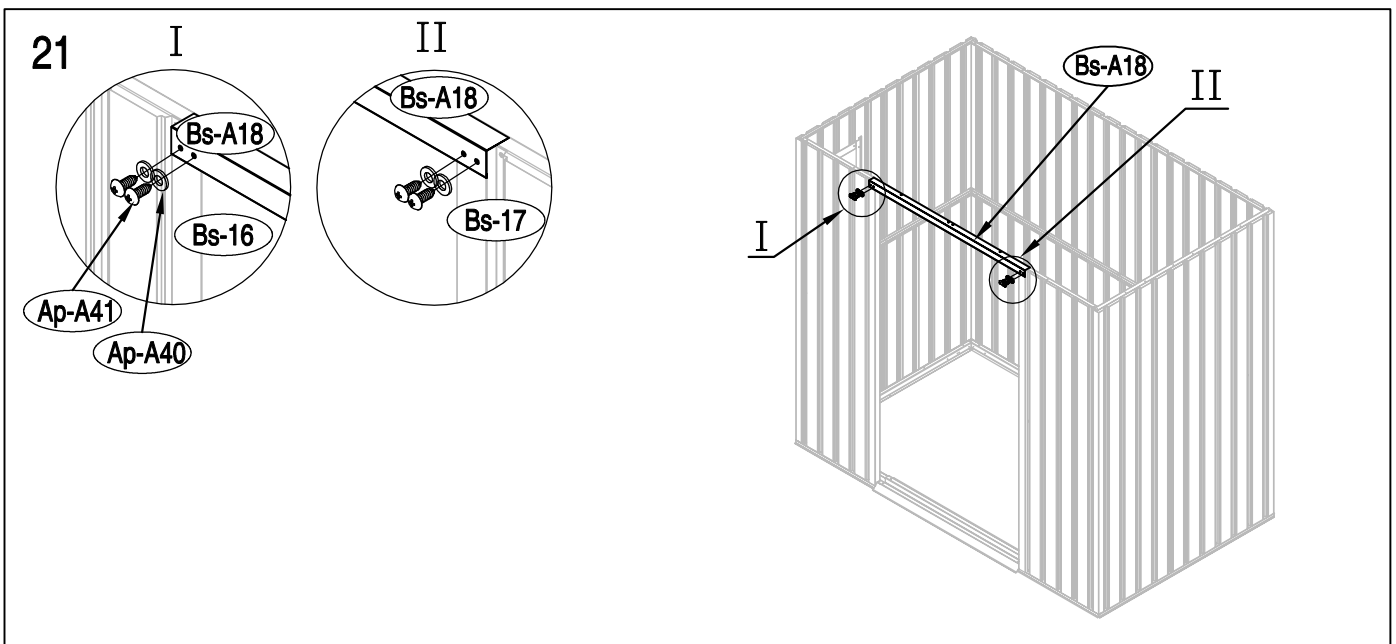
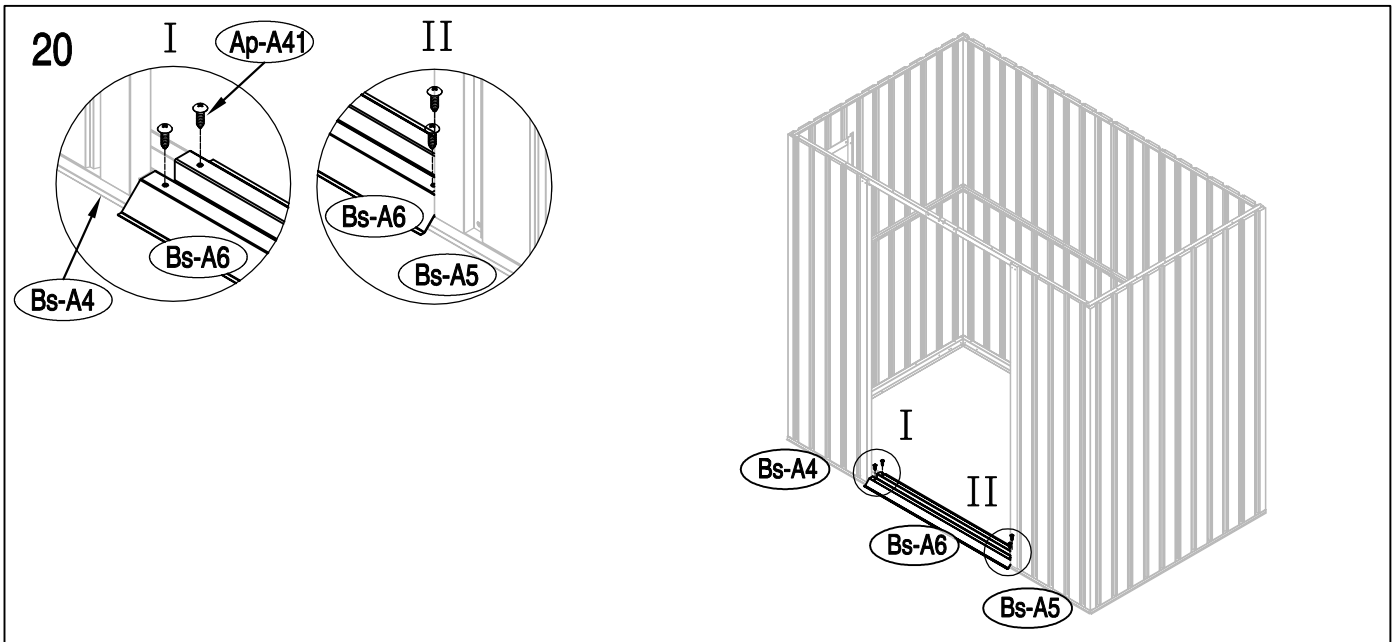
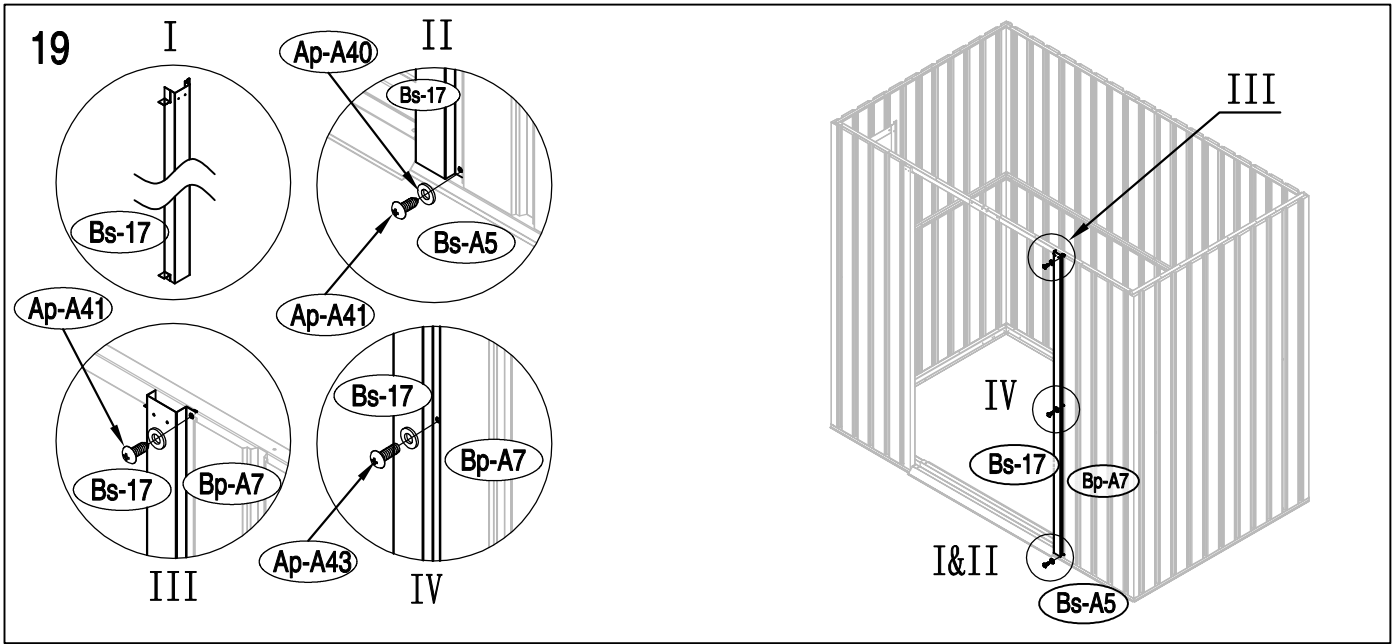


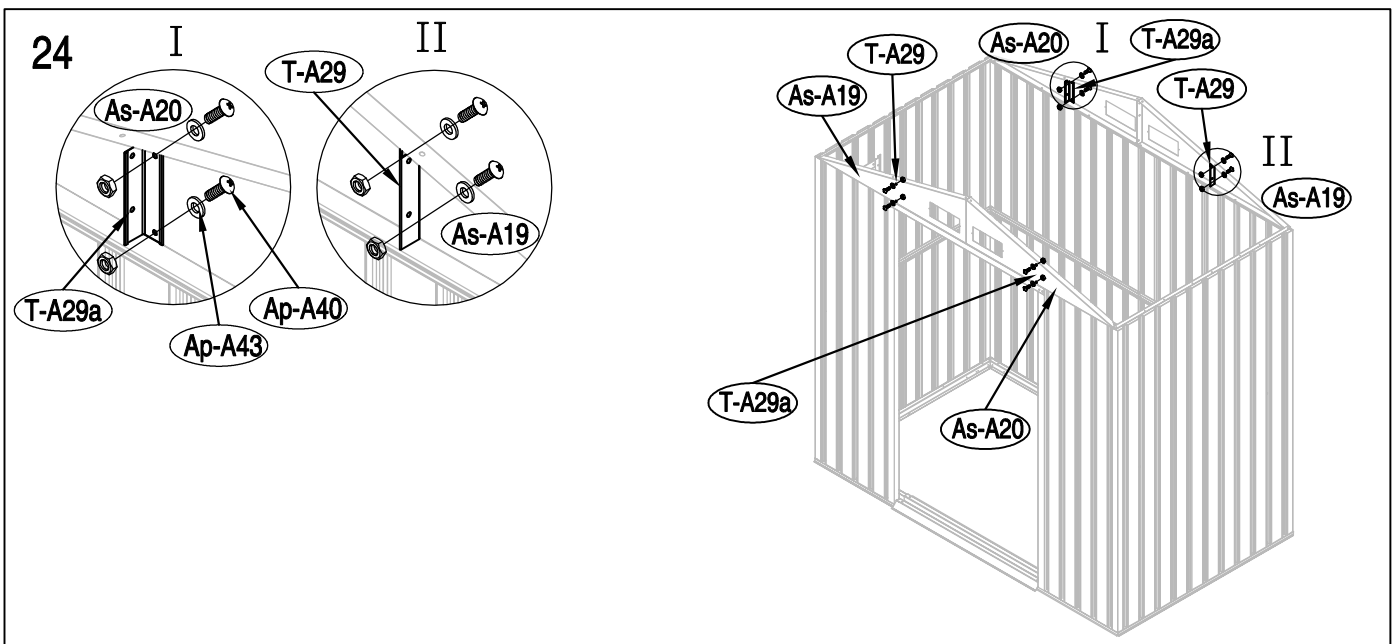
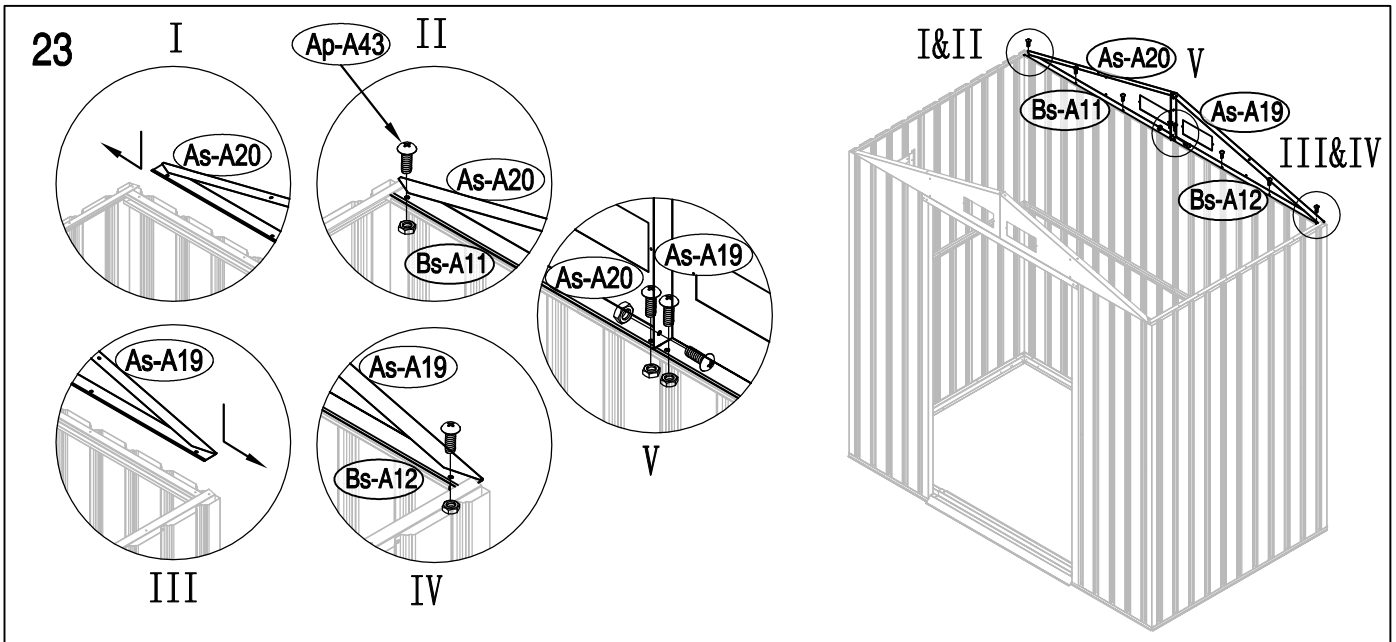
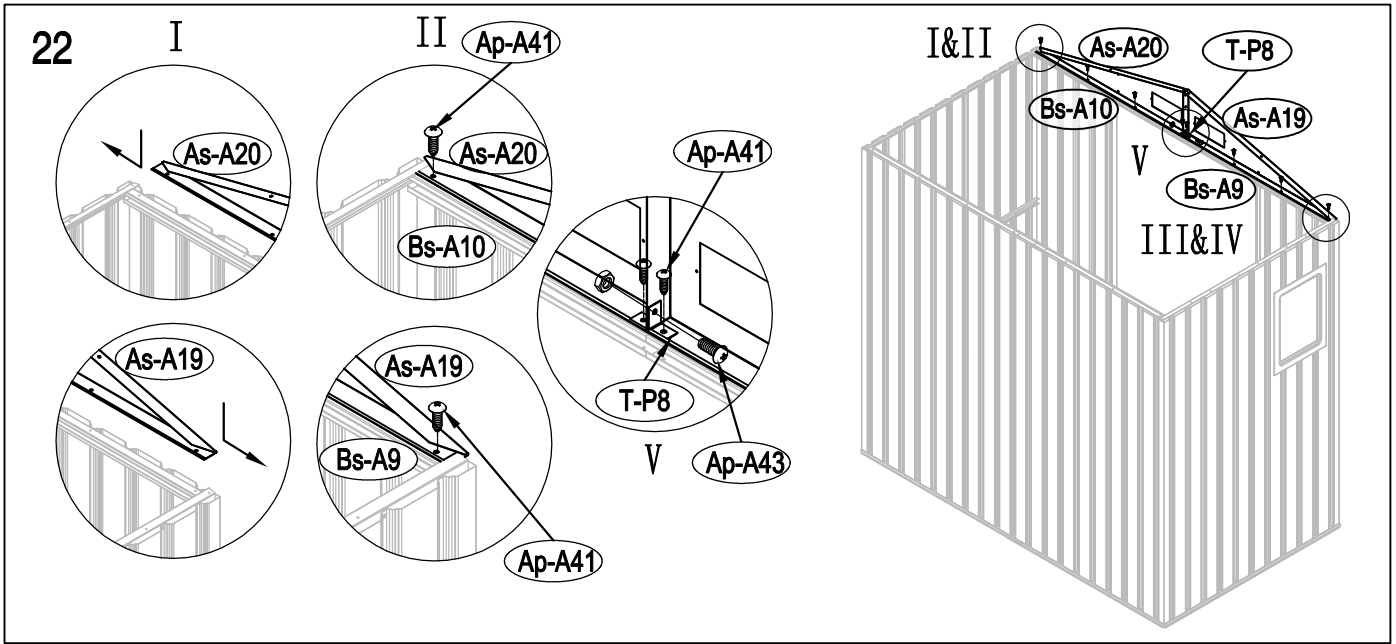


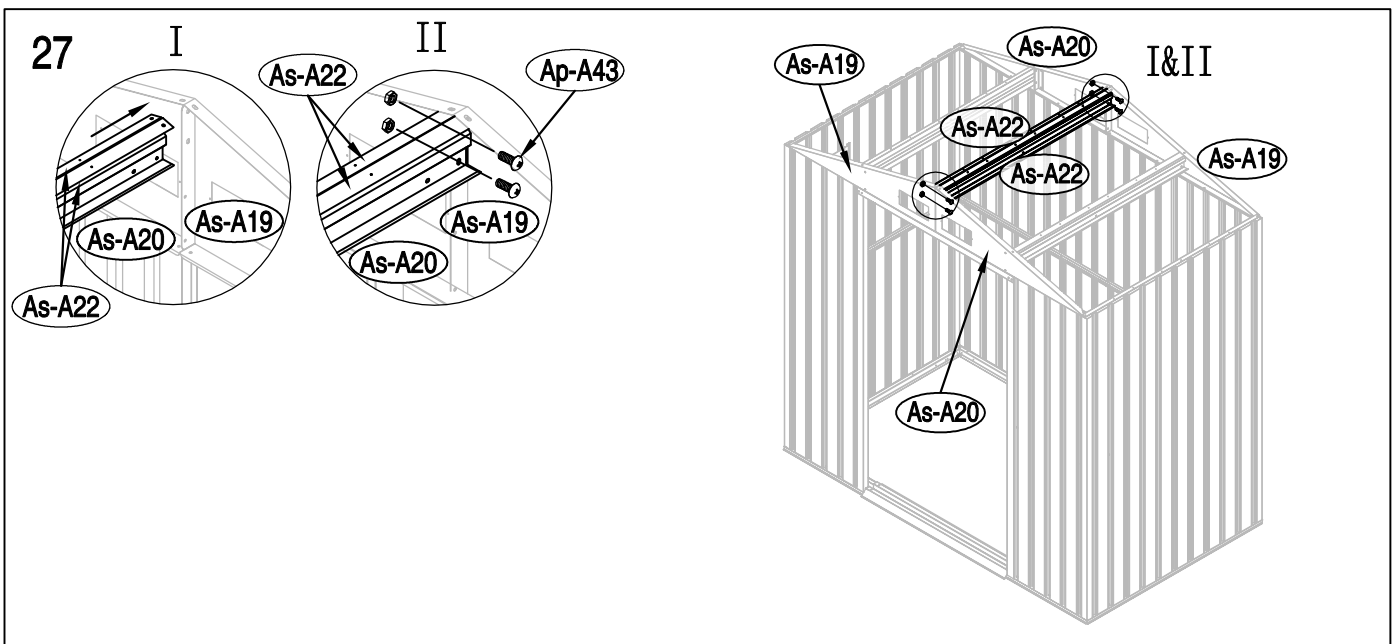
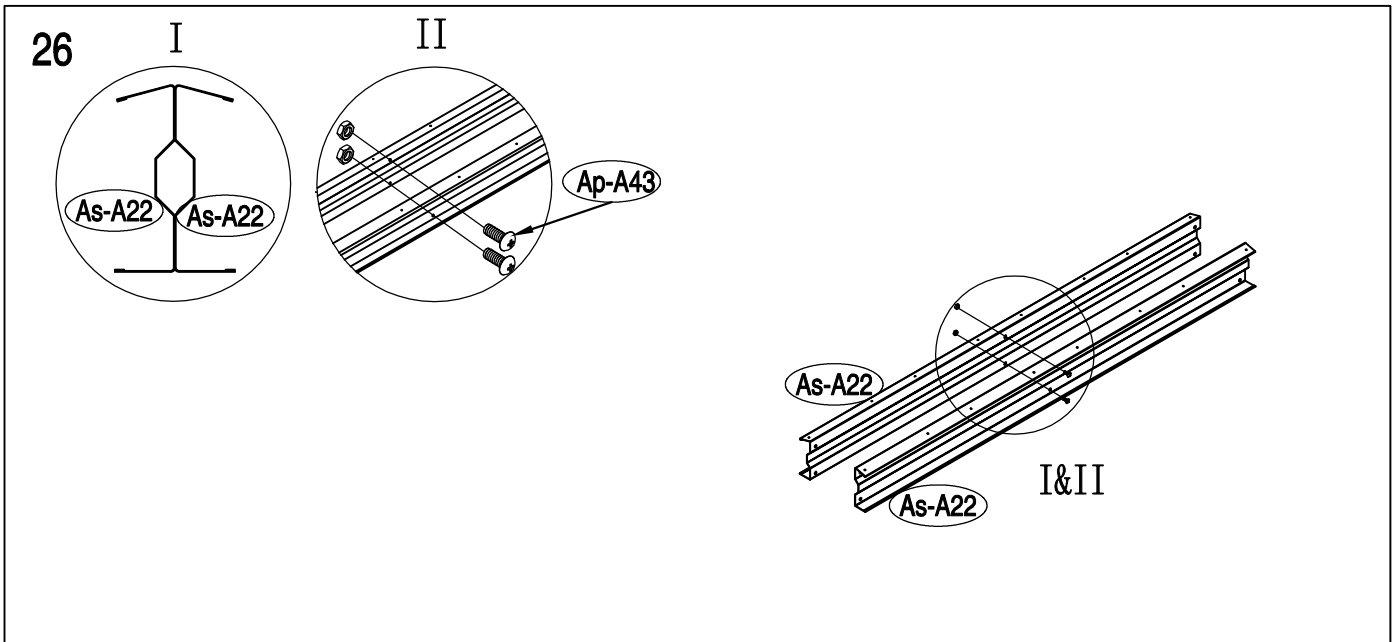
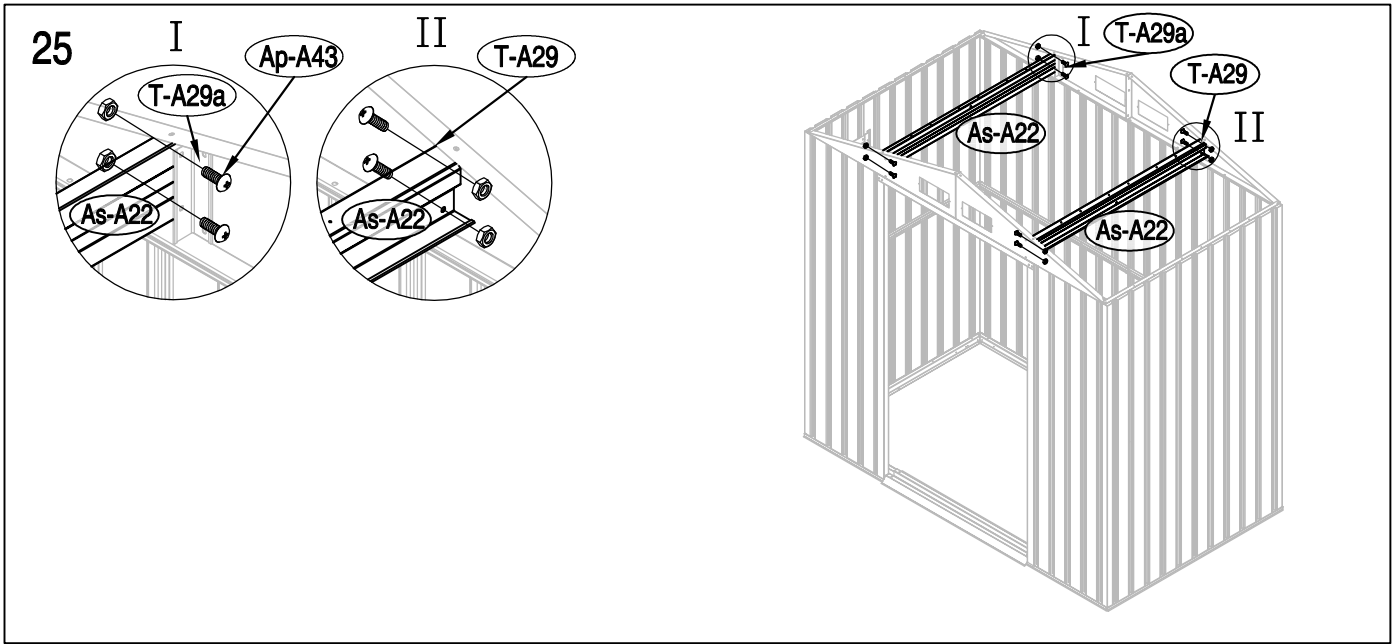


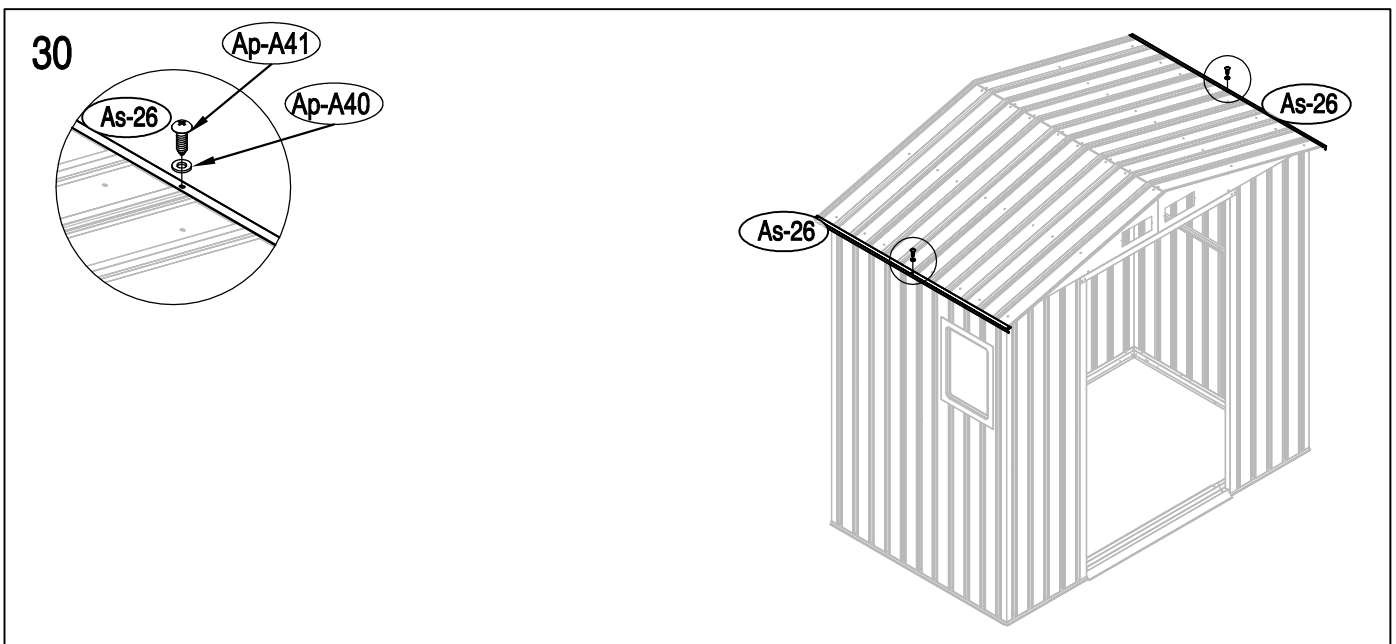
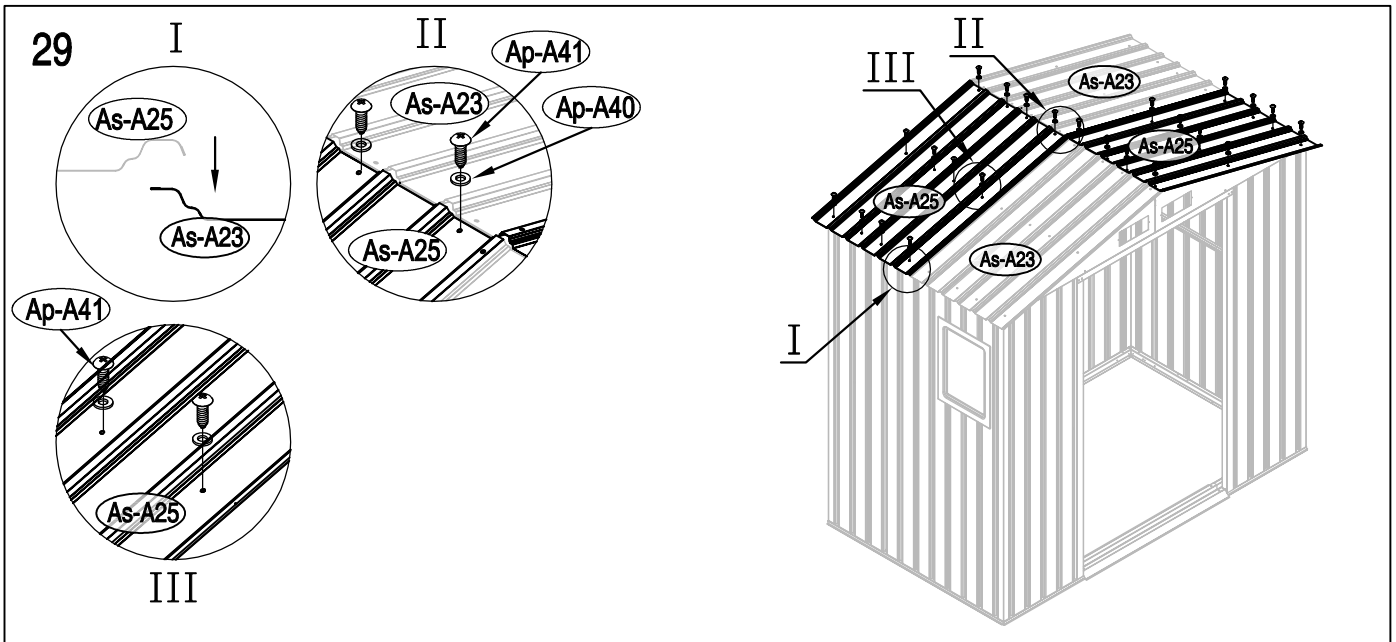
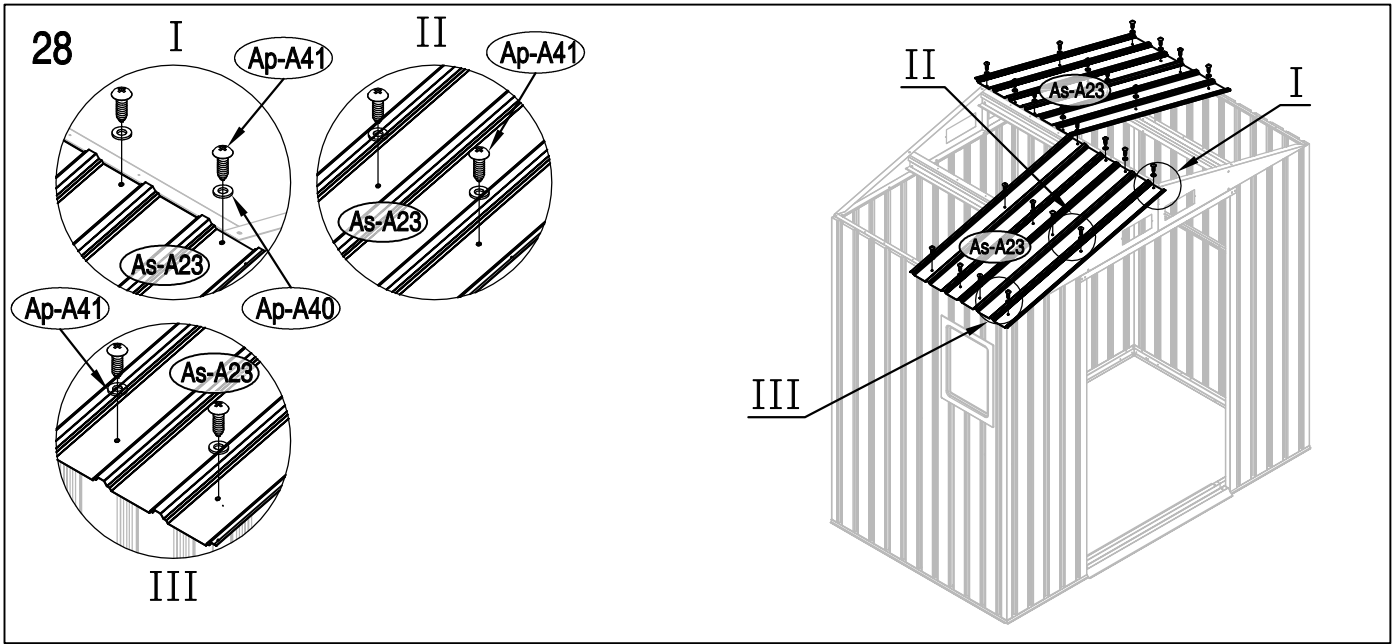


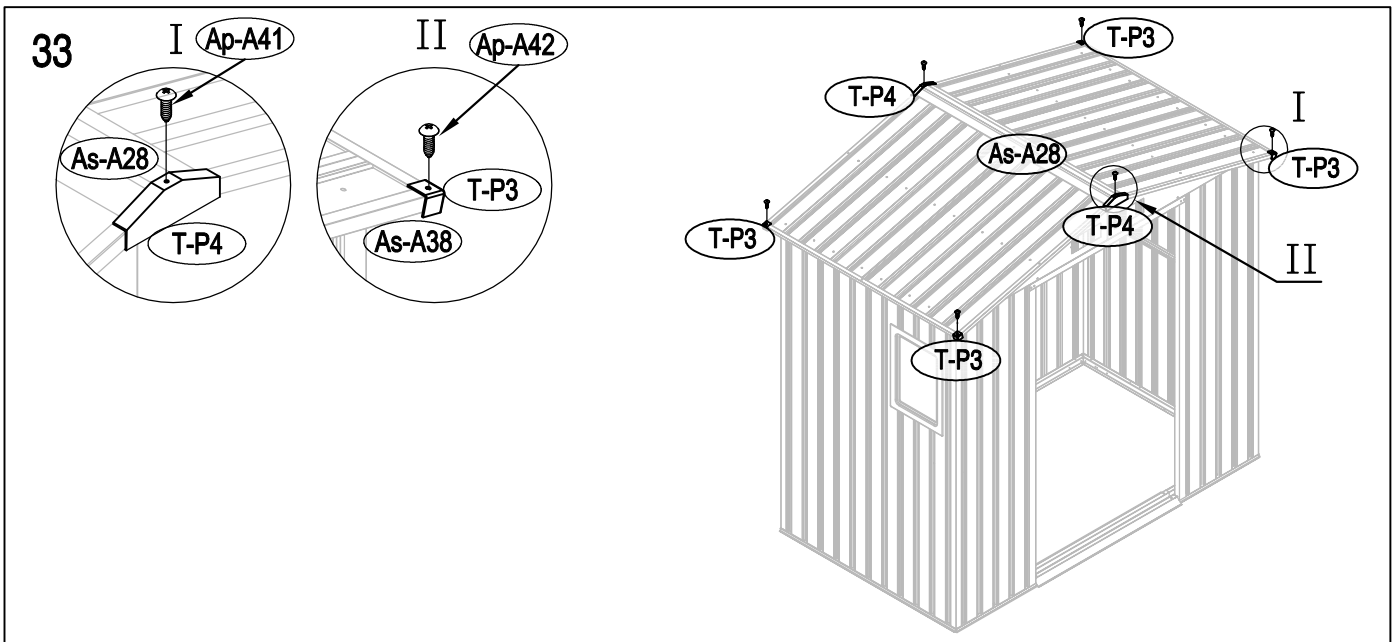
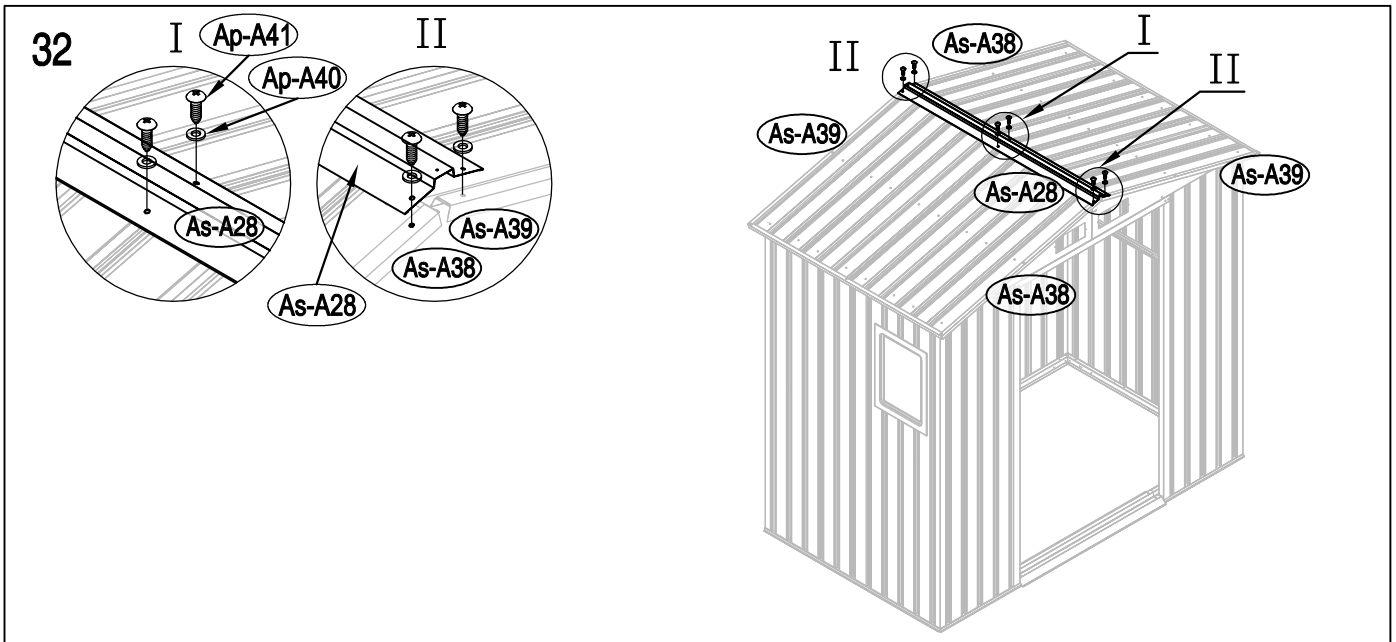
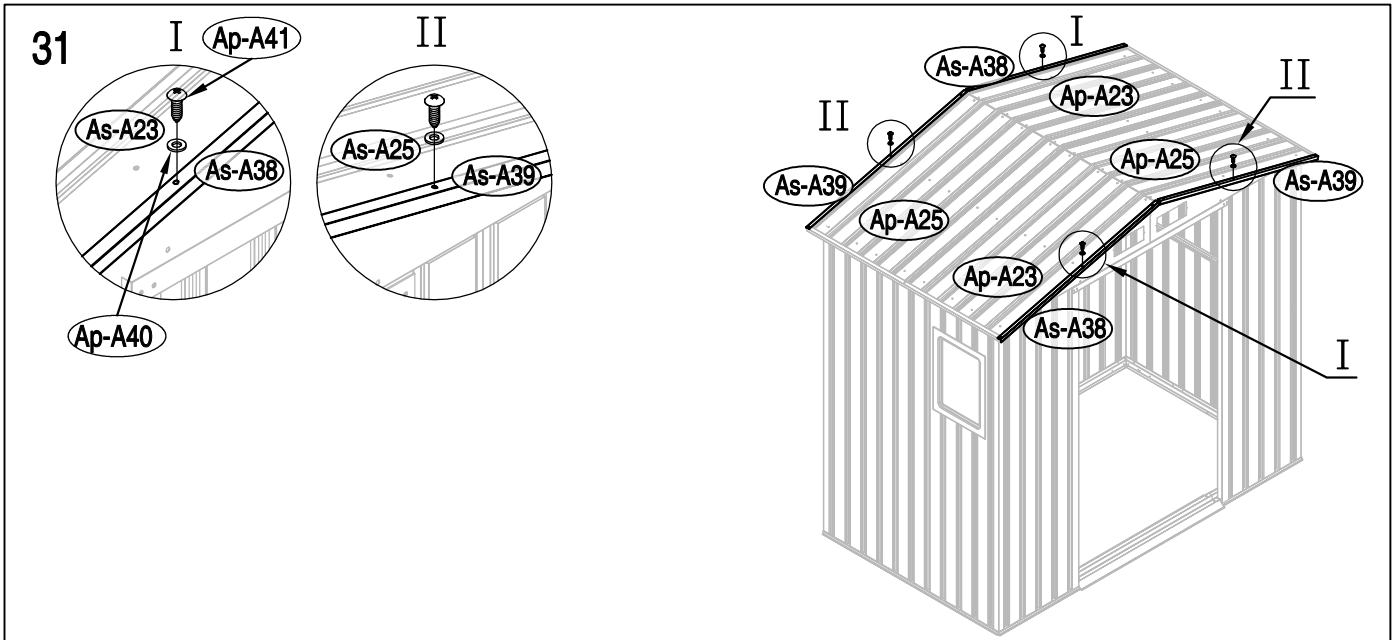


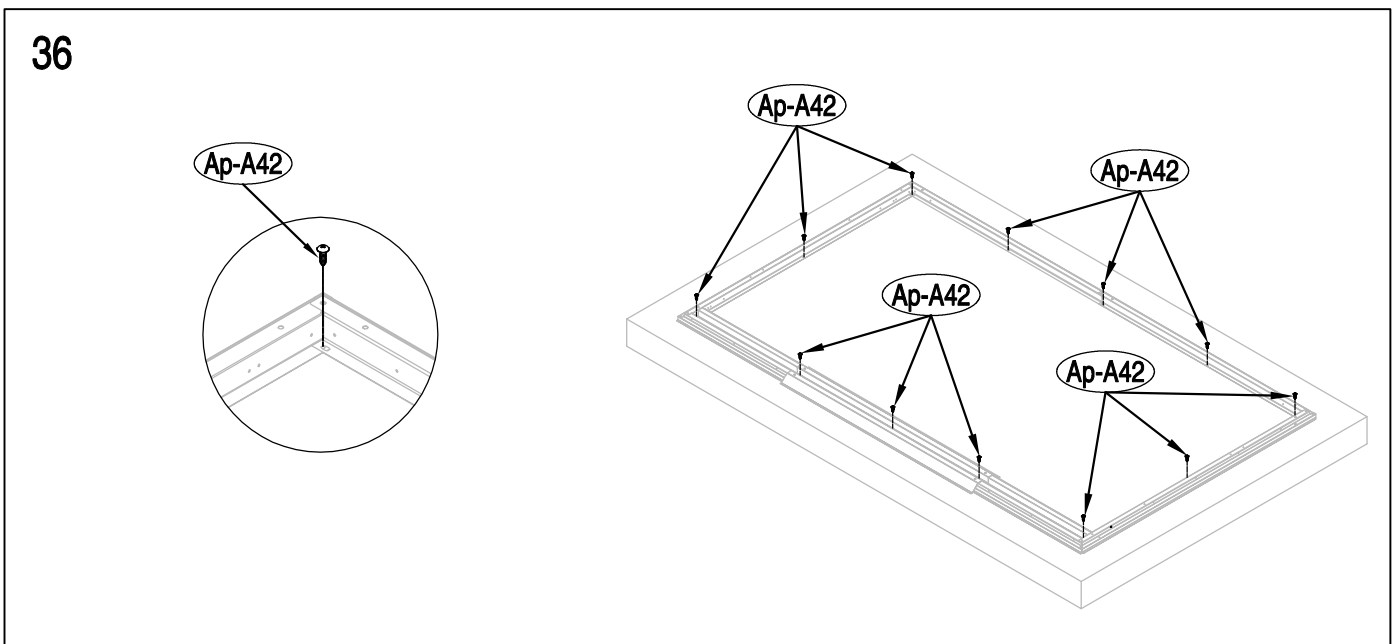
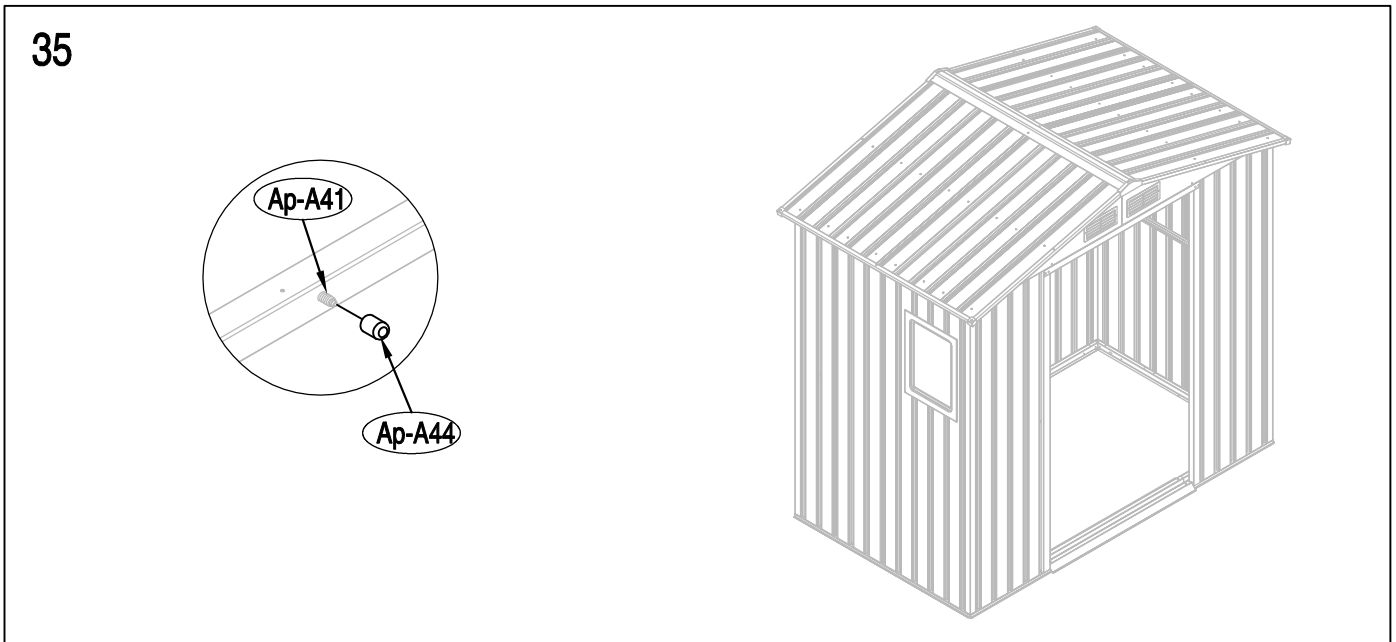
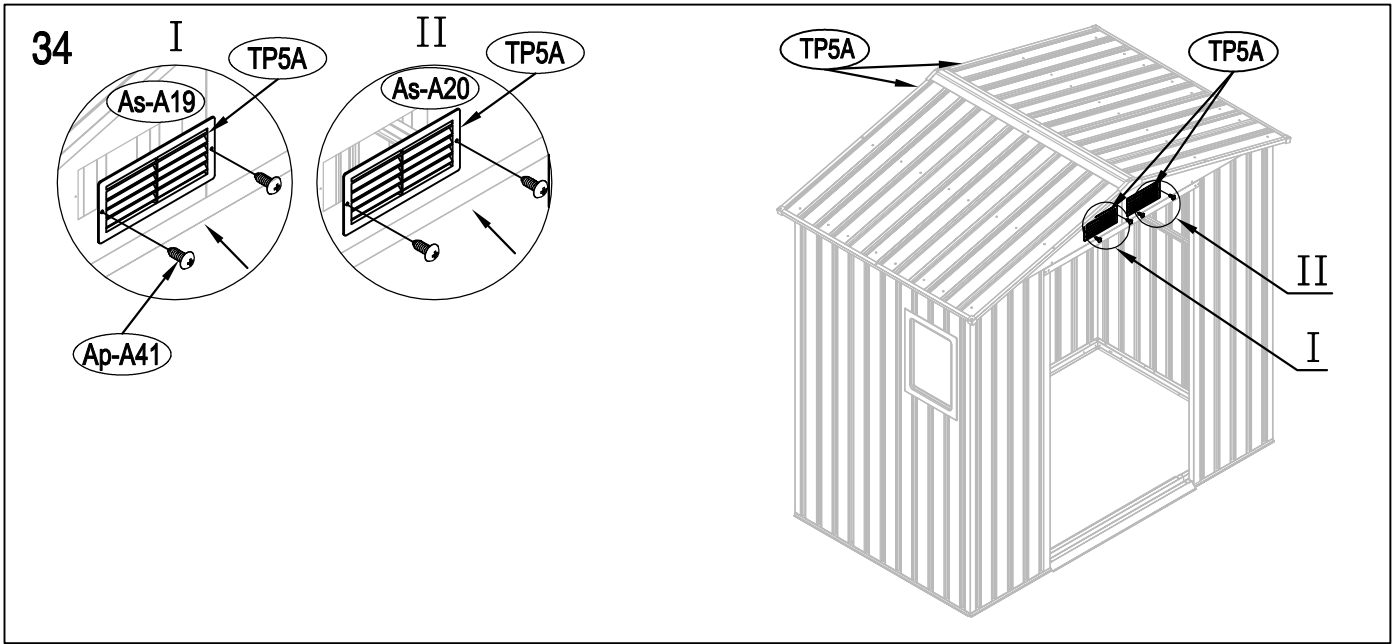


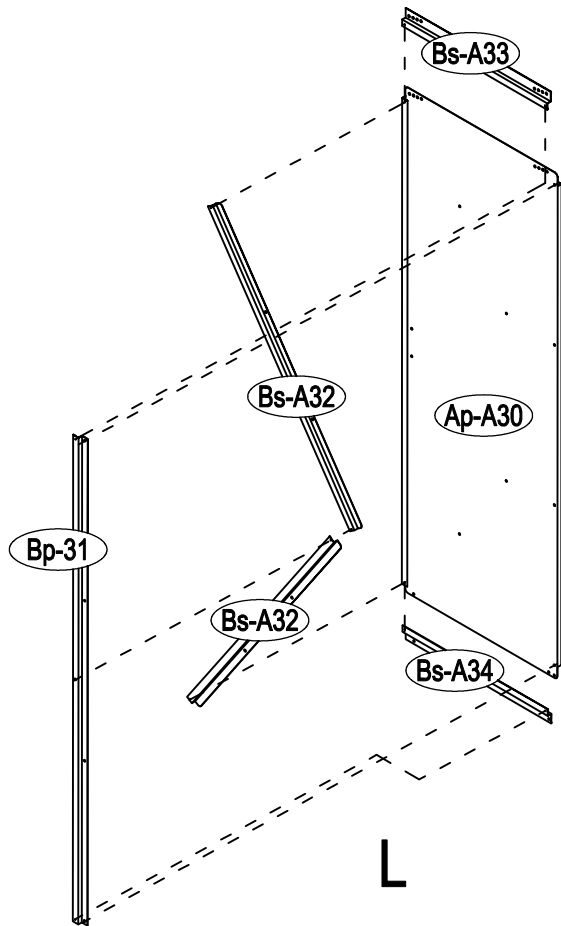




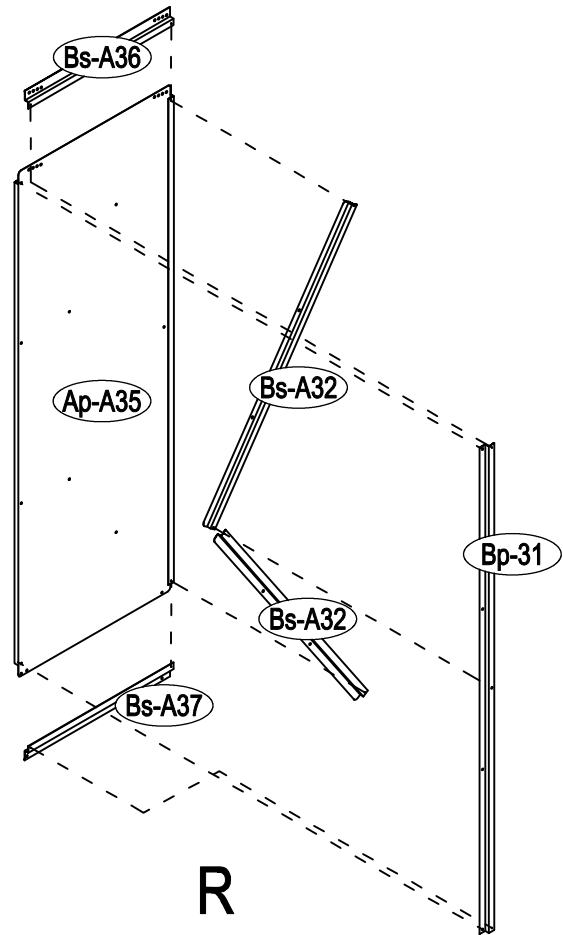








L



R



