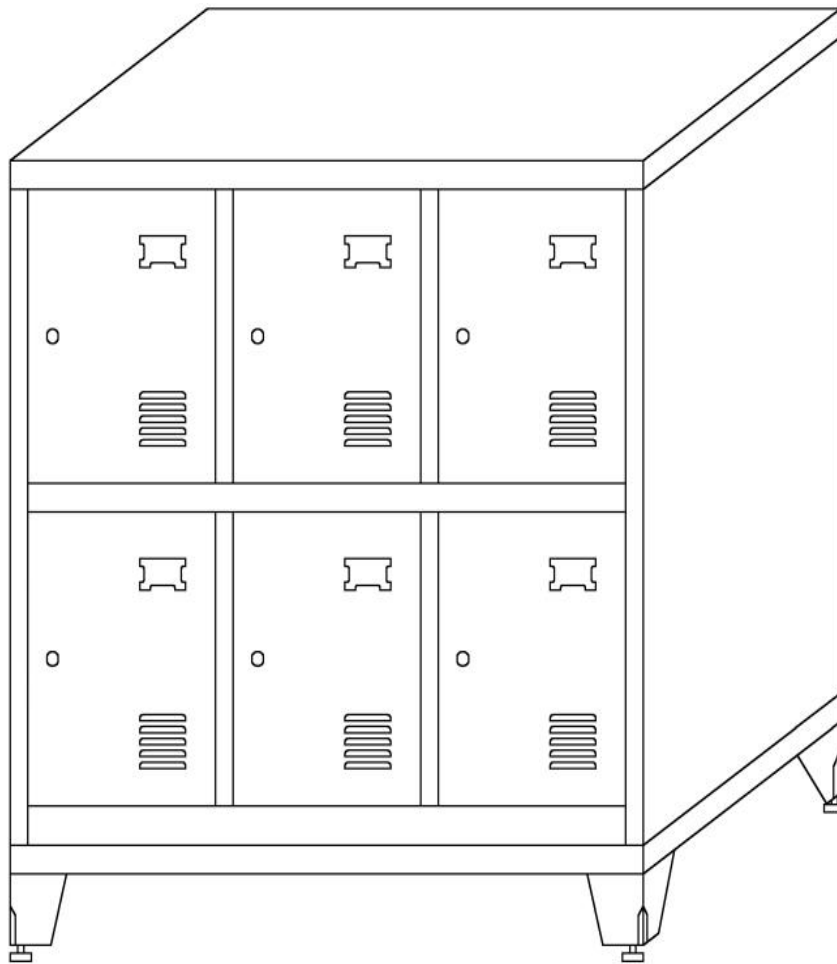


# 6 Door Locker

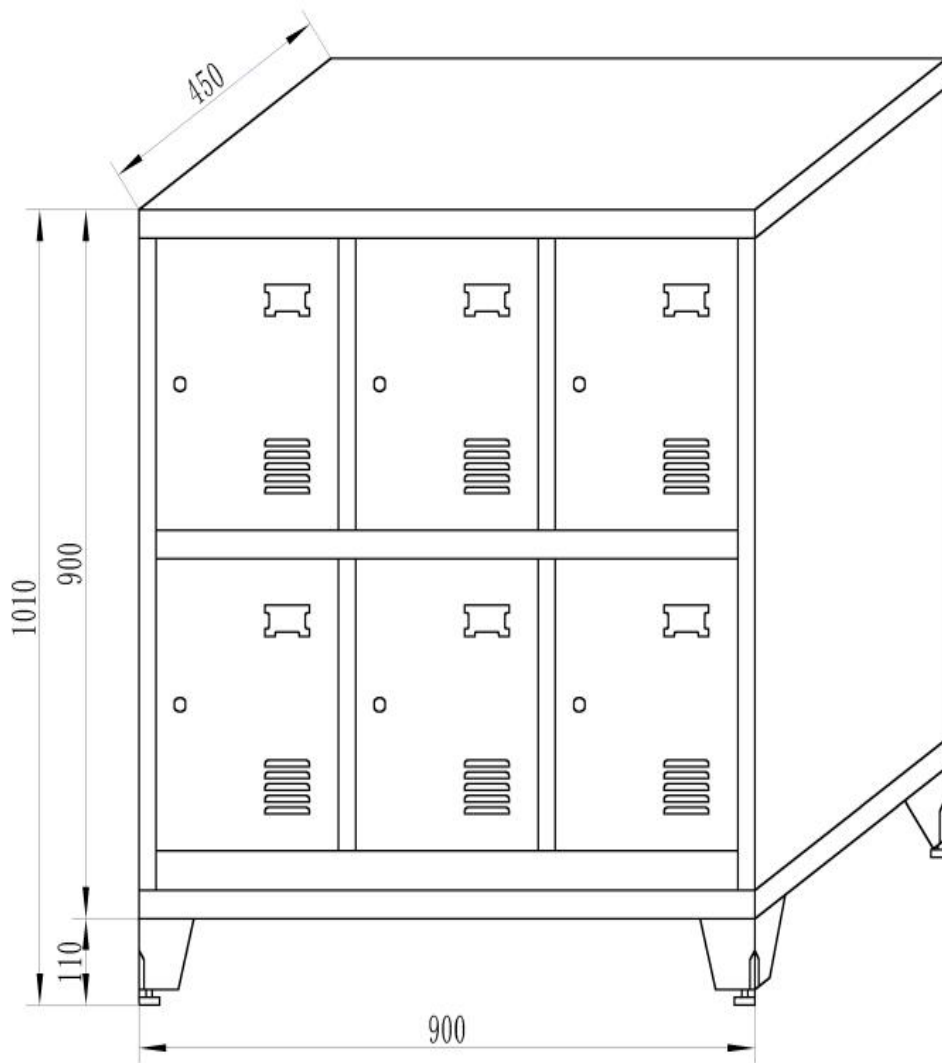
---

Owner's Manual/

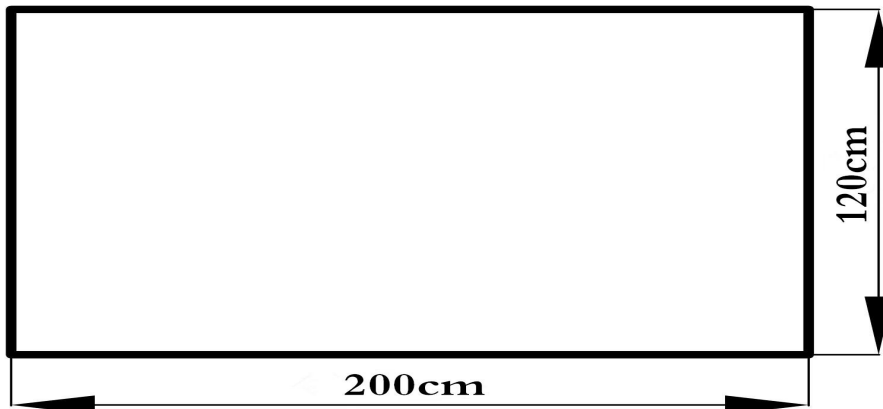
Instruction for Assembly Model:452.010



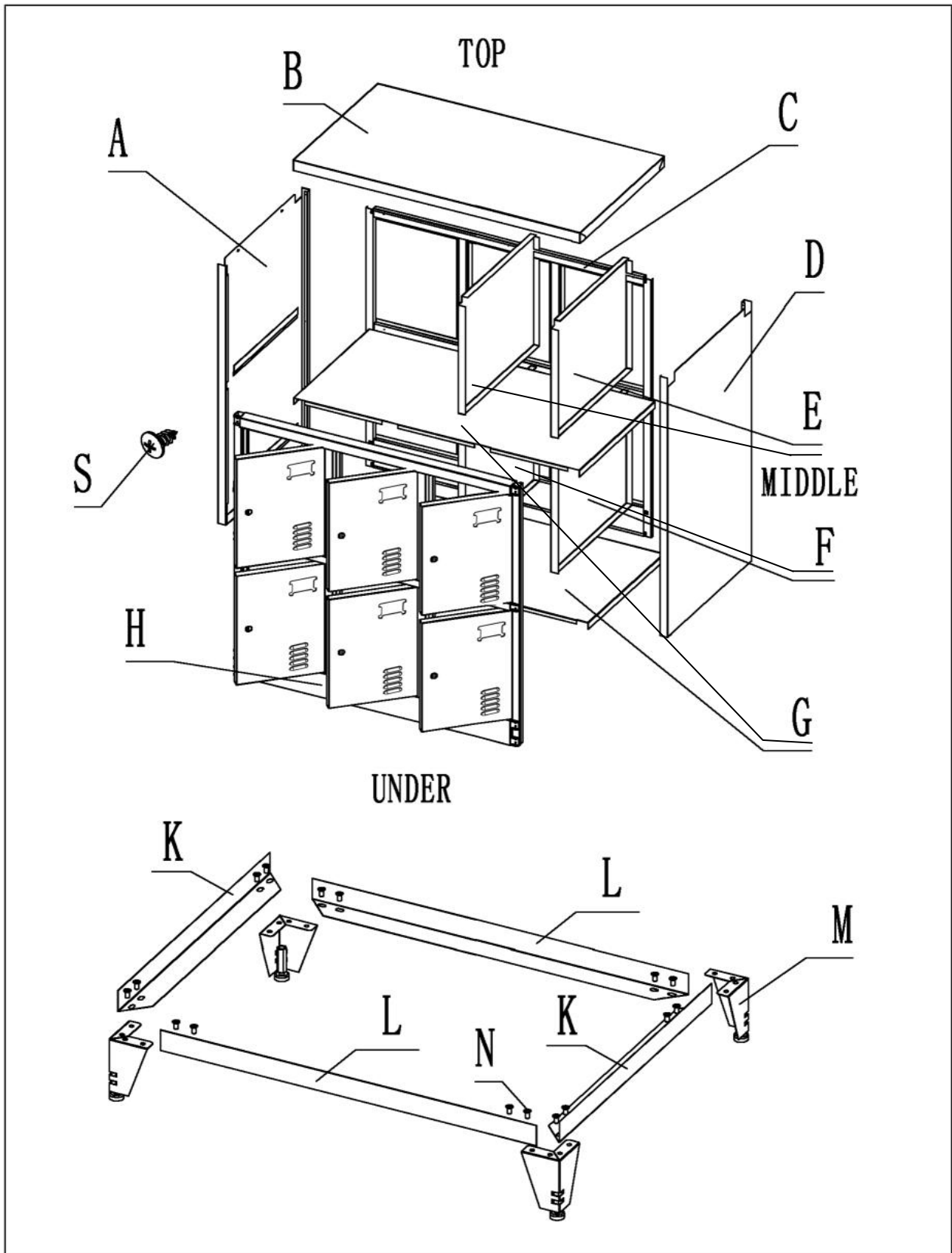
Size of Model:452.010





Area of installation requirement:

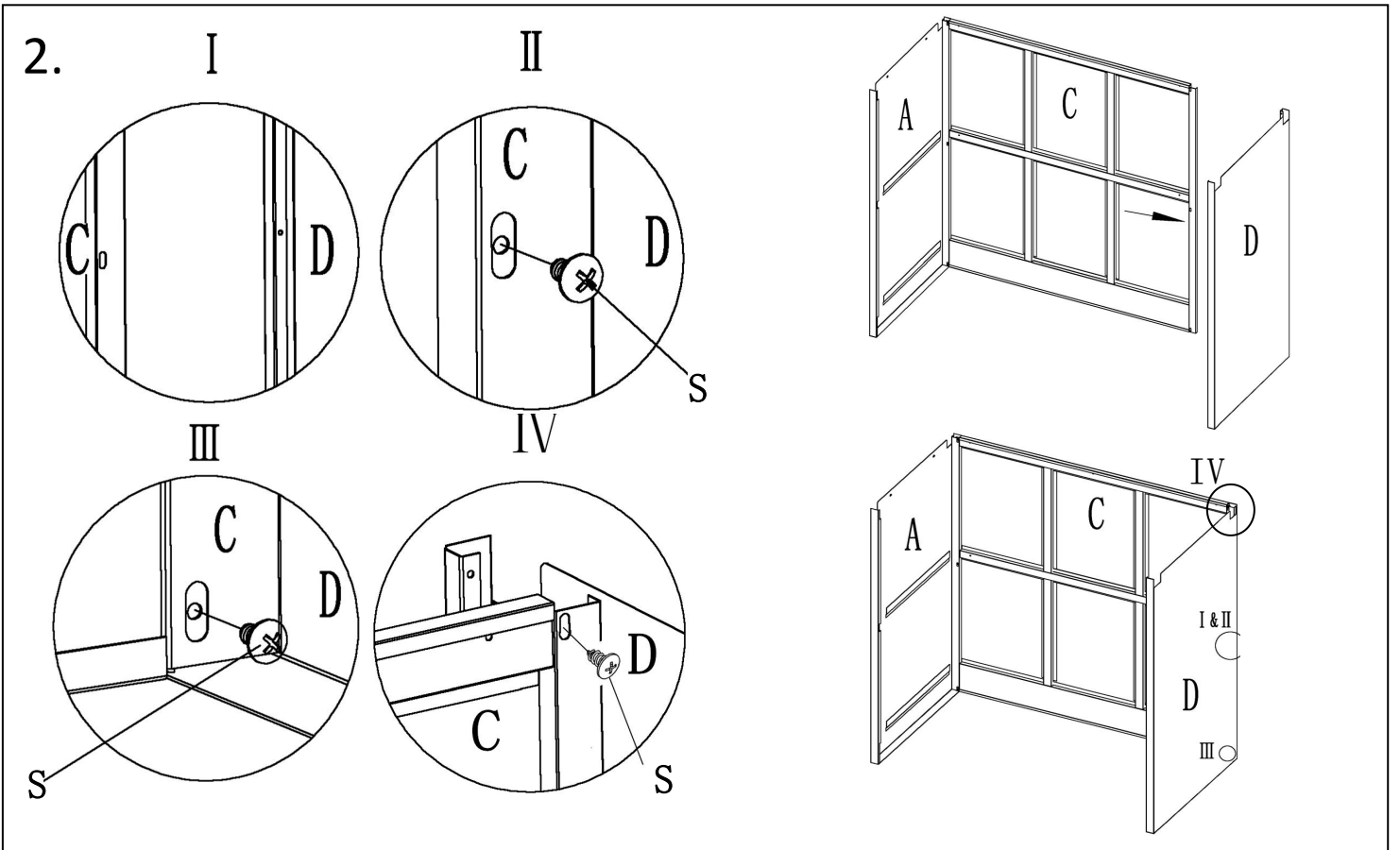
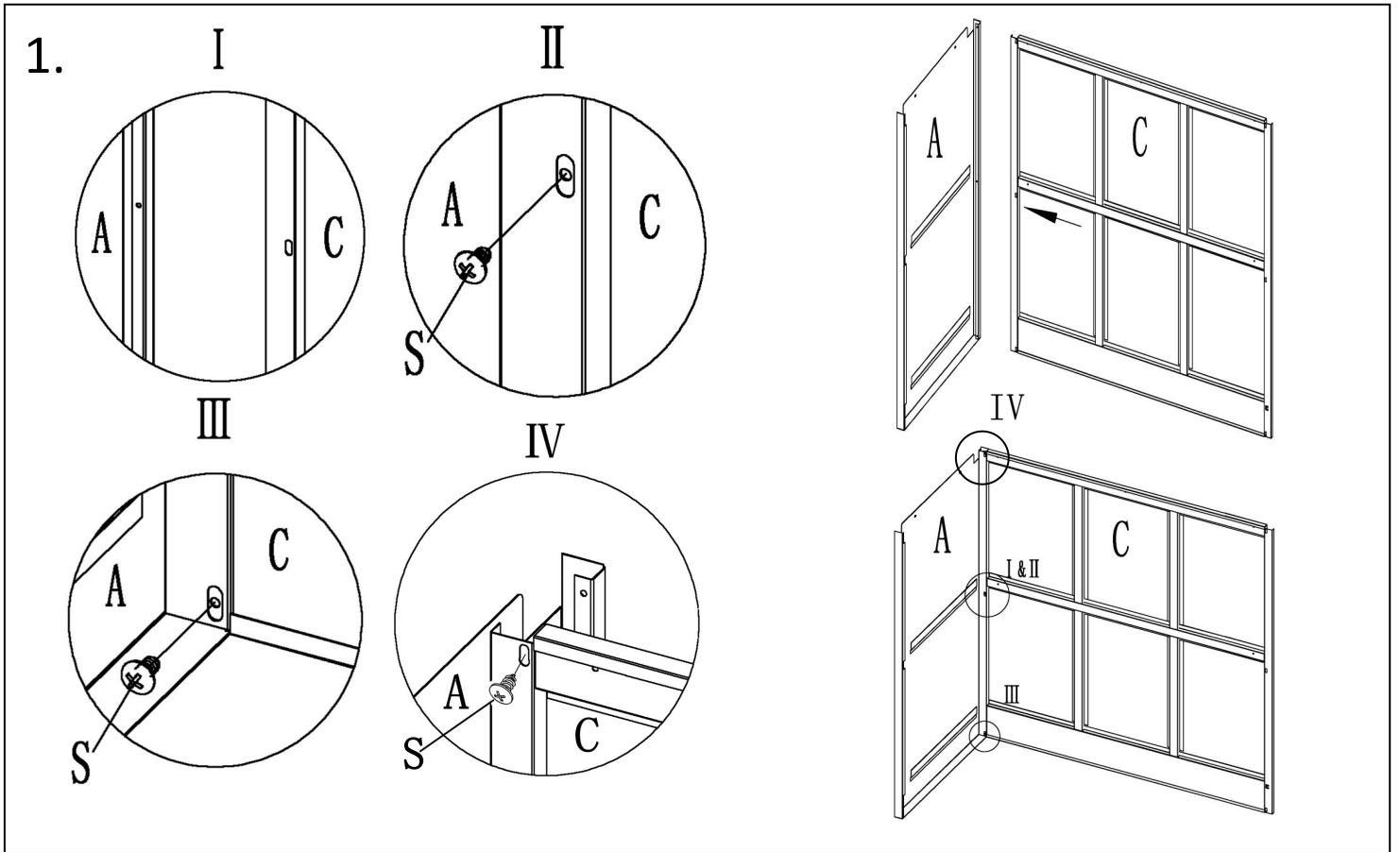


# Explosive View:

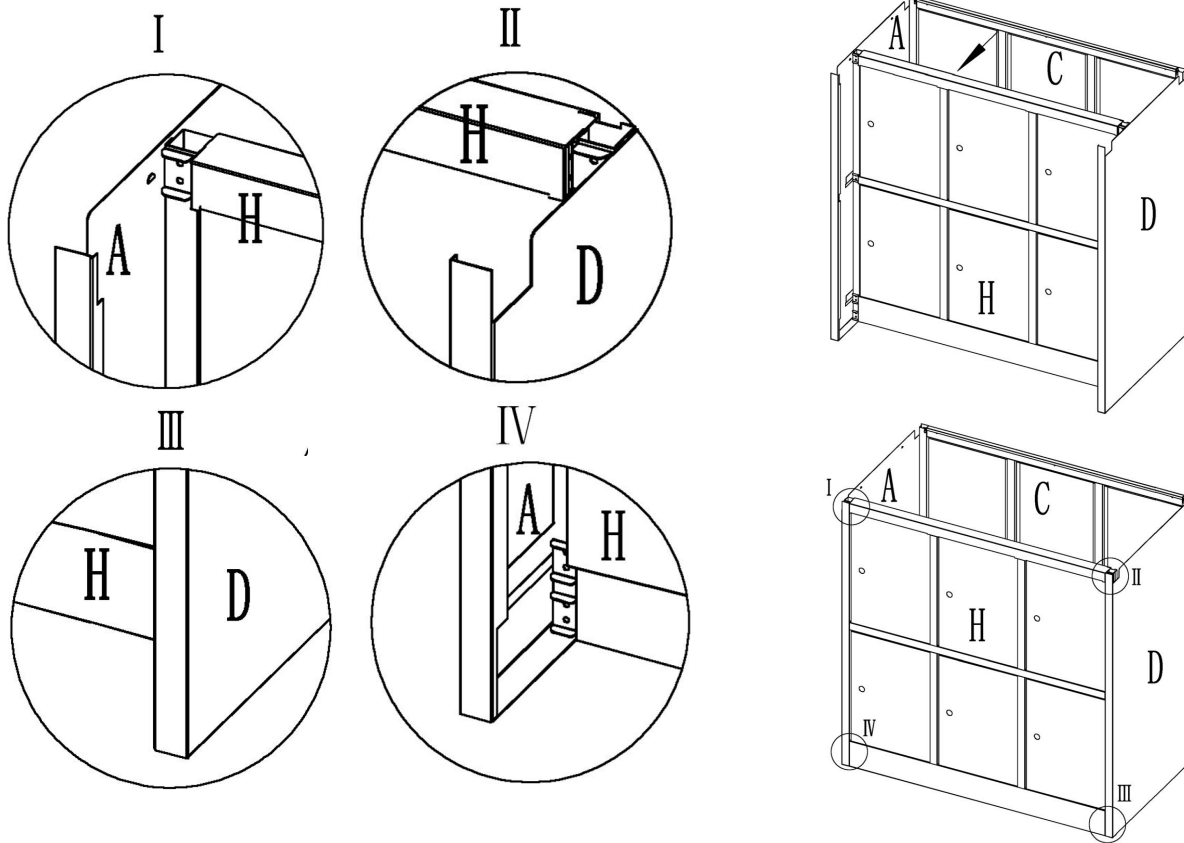


## Bill of Material:

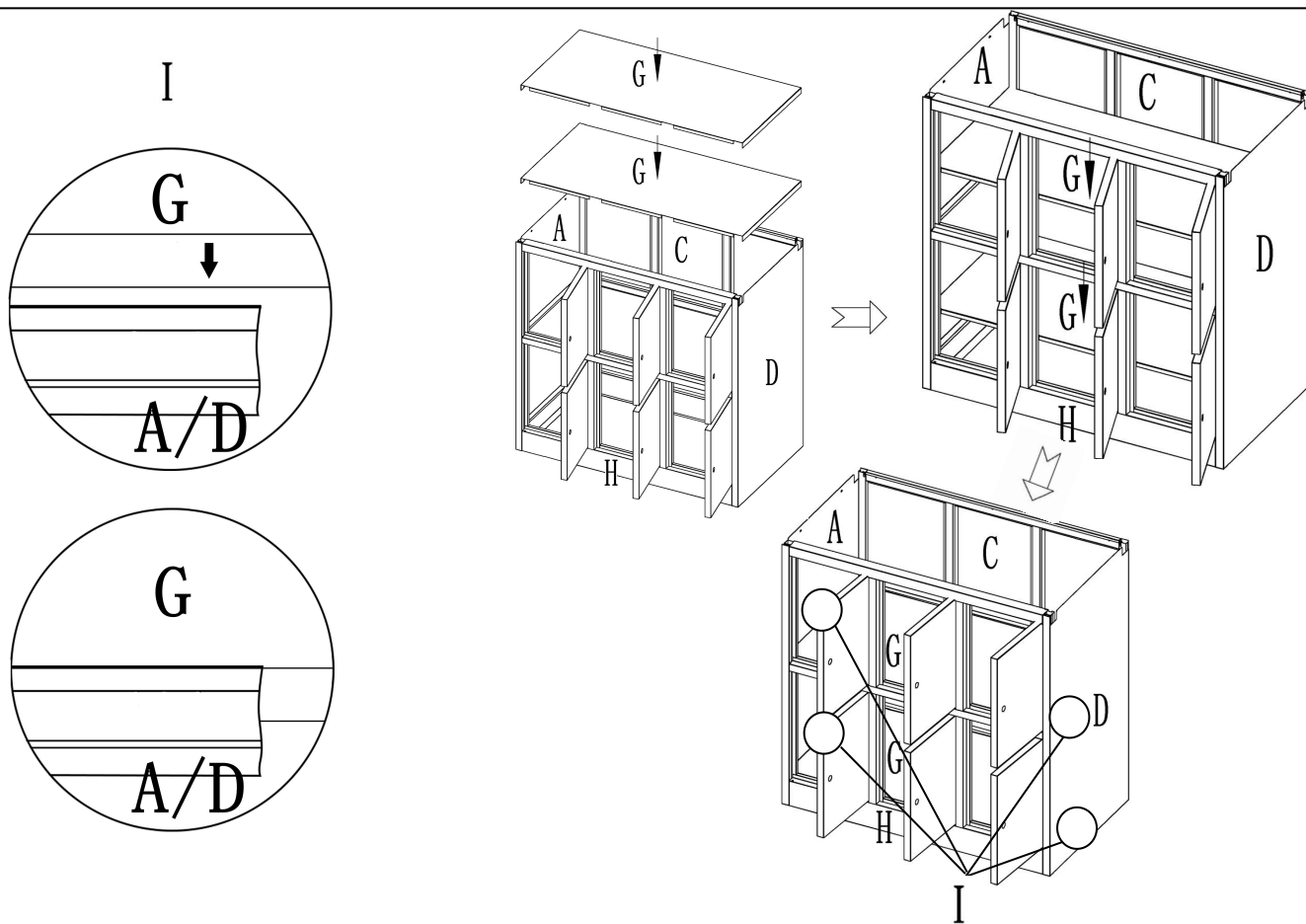
No.	Size(mm)	Quantity(pc)
TOP		
B	450*900	x1
MIDDLE		
A	450*900	x1
D	450*900	x1
C	900*900	x1
H	900*900	x1
E	394*434	x2
F	406*434	x2
G	898*415	x2
UNDER		
K	36*450	x2
L	36*900	x2
M	60*60*110	x4
ANNEX		
S		x14
N		x16



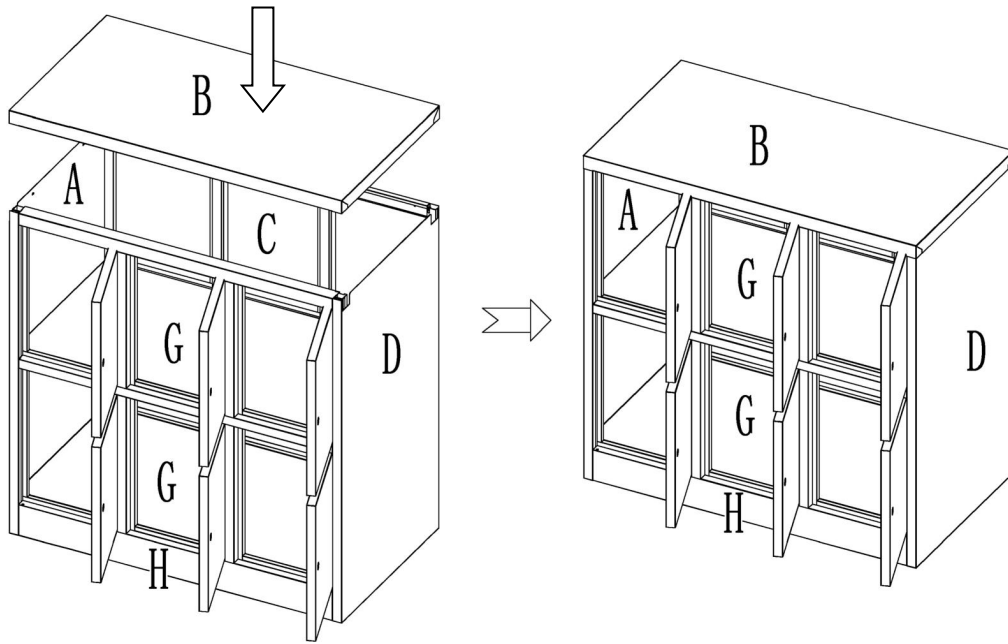
3.



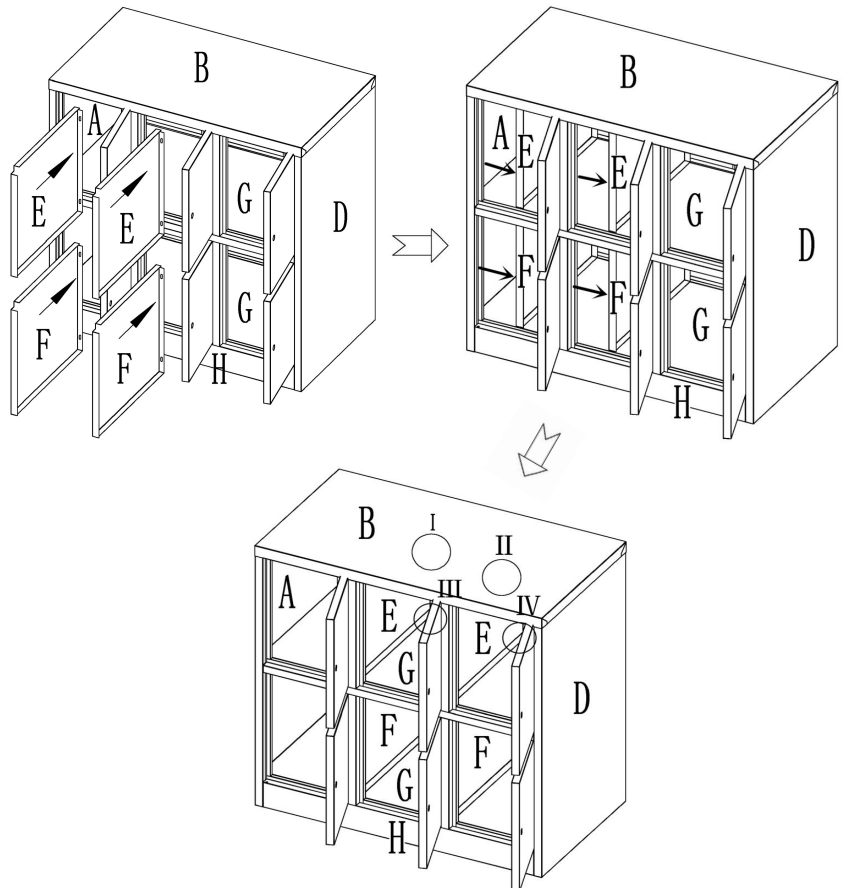
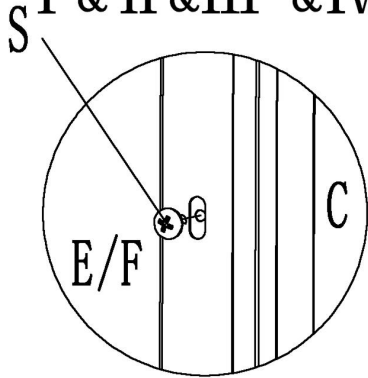
4.



5.



6. I & II & III & IV



7.

