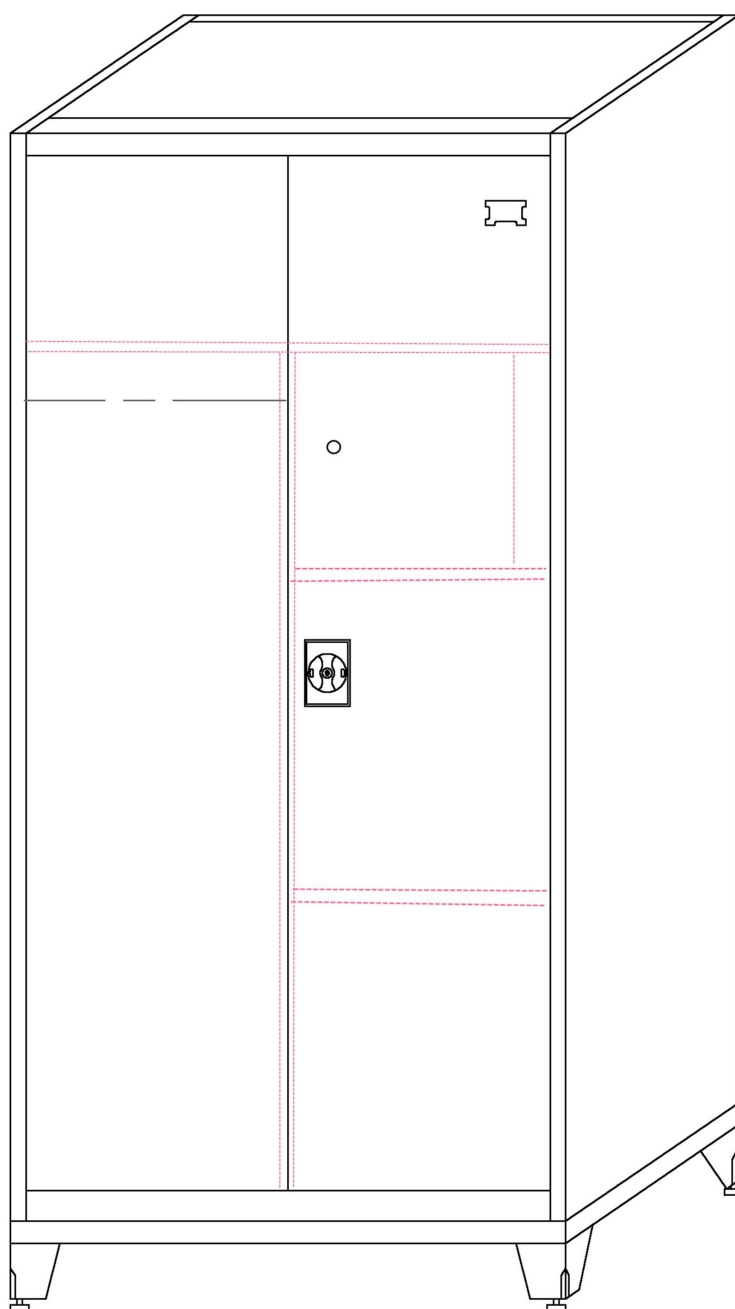


Metal Wardrobe with Safe

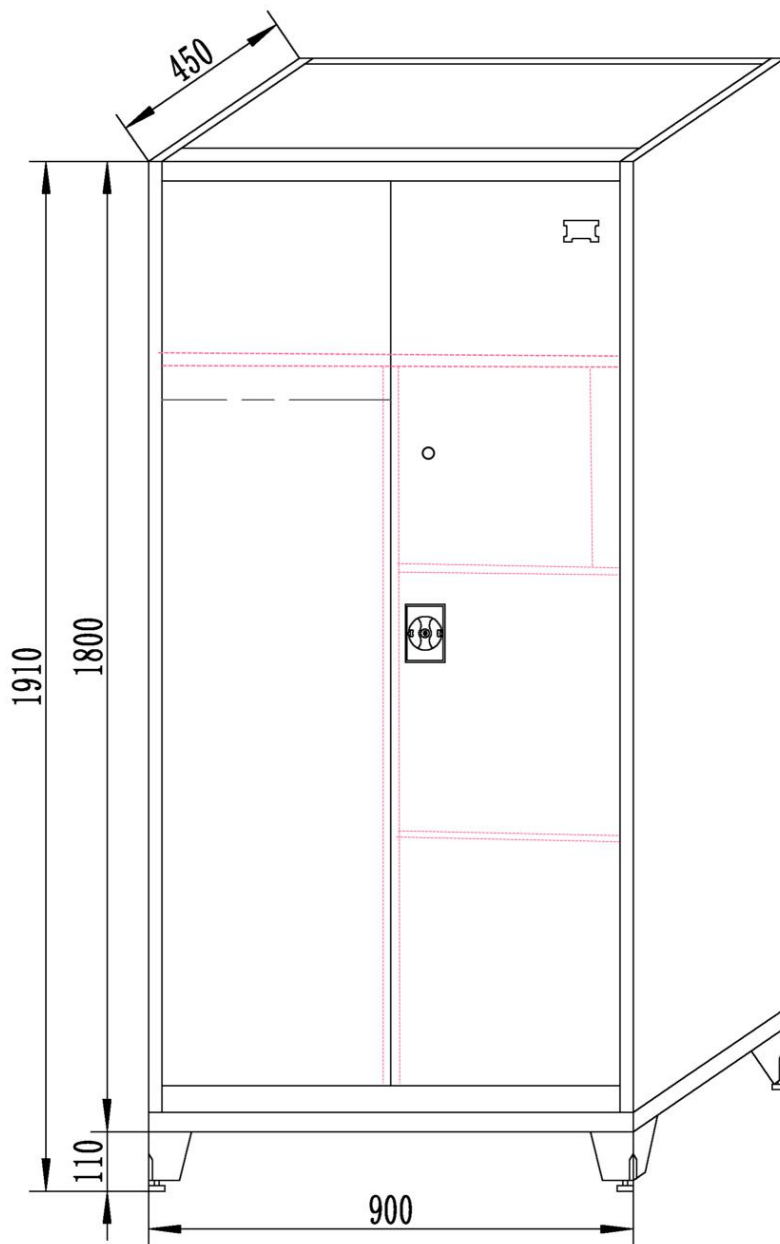
Owner's Manual/

Instruction for Assembly Model:452.006

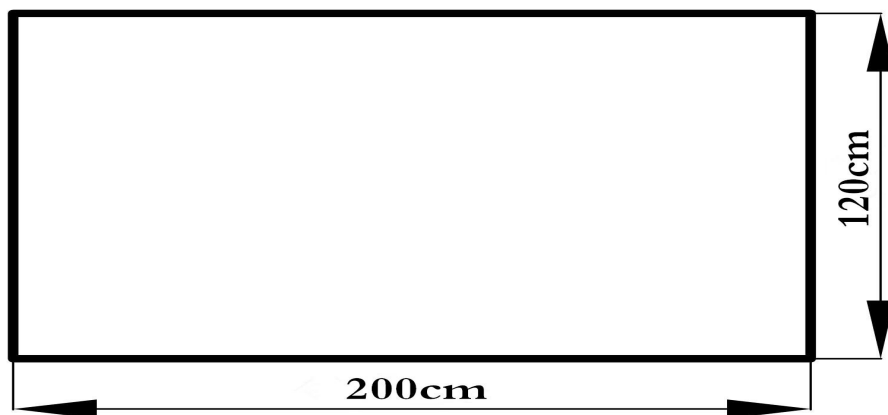



apothiki365.gr

Size of Model:452.006

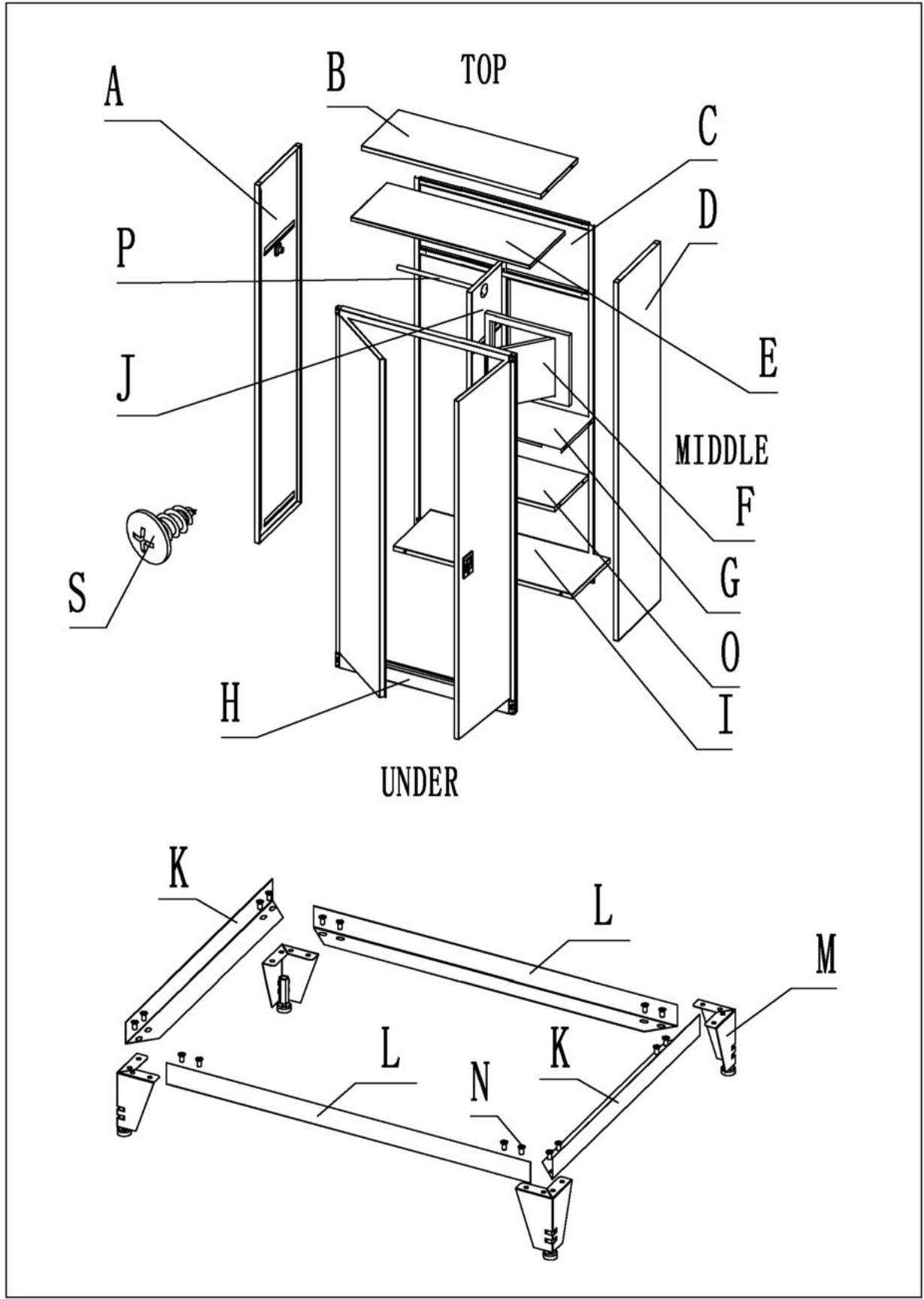


Area of installation requirement:





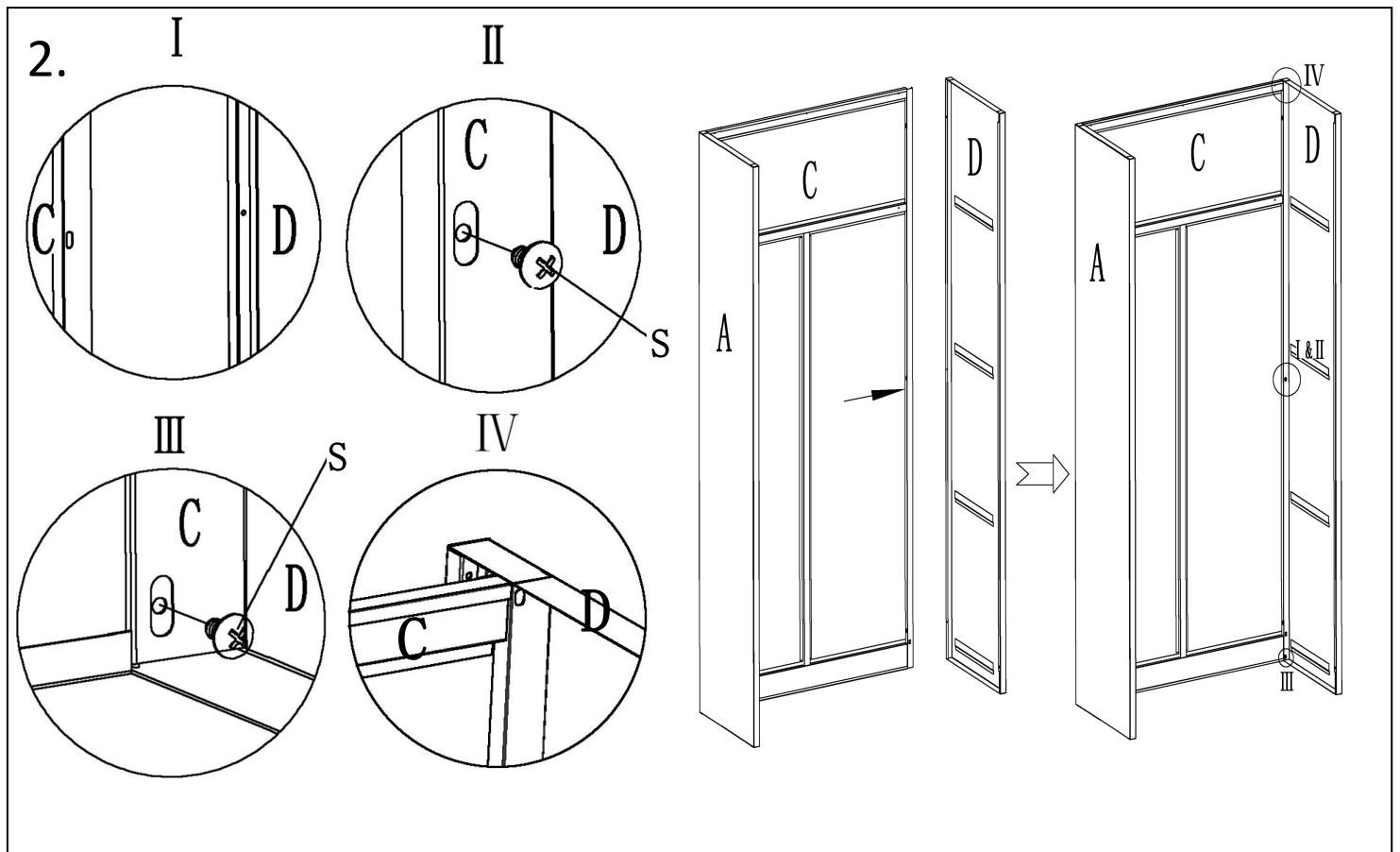
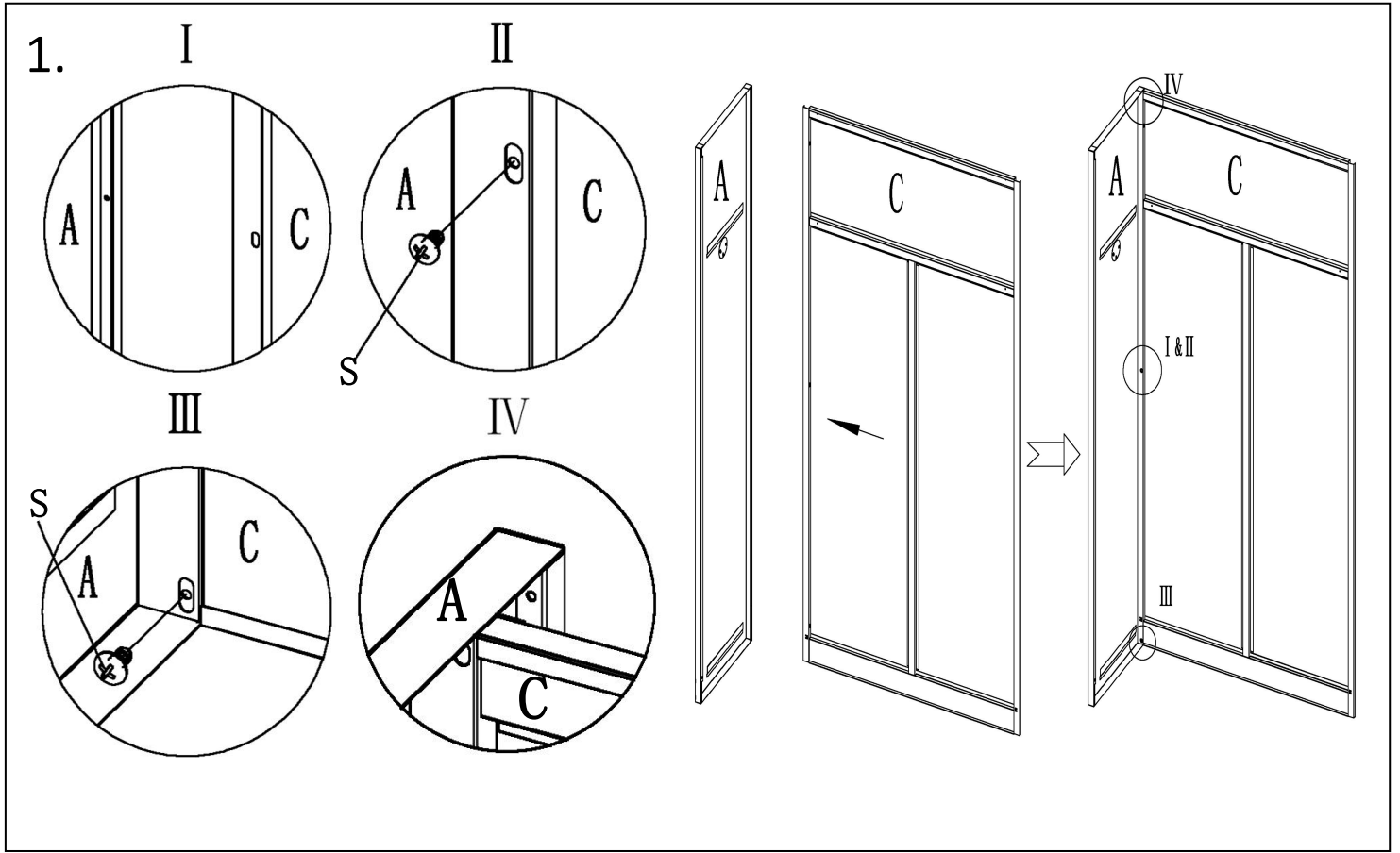
②

Explosive View:

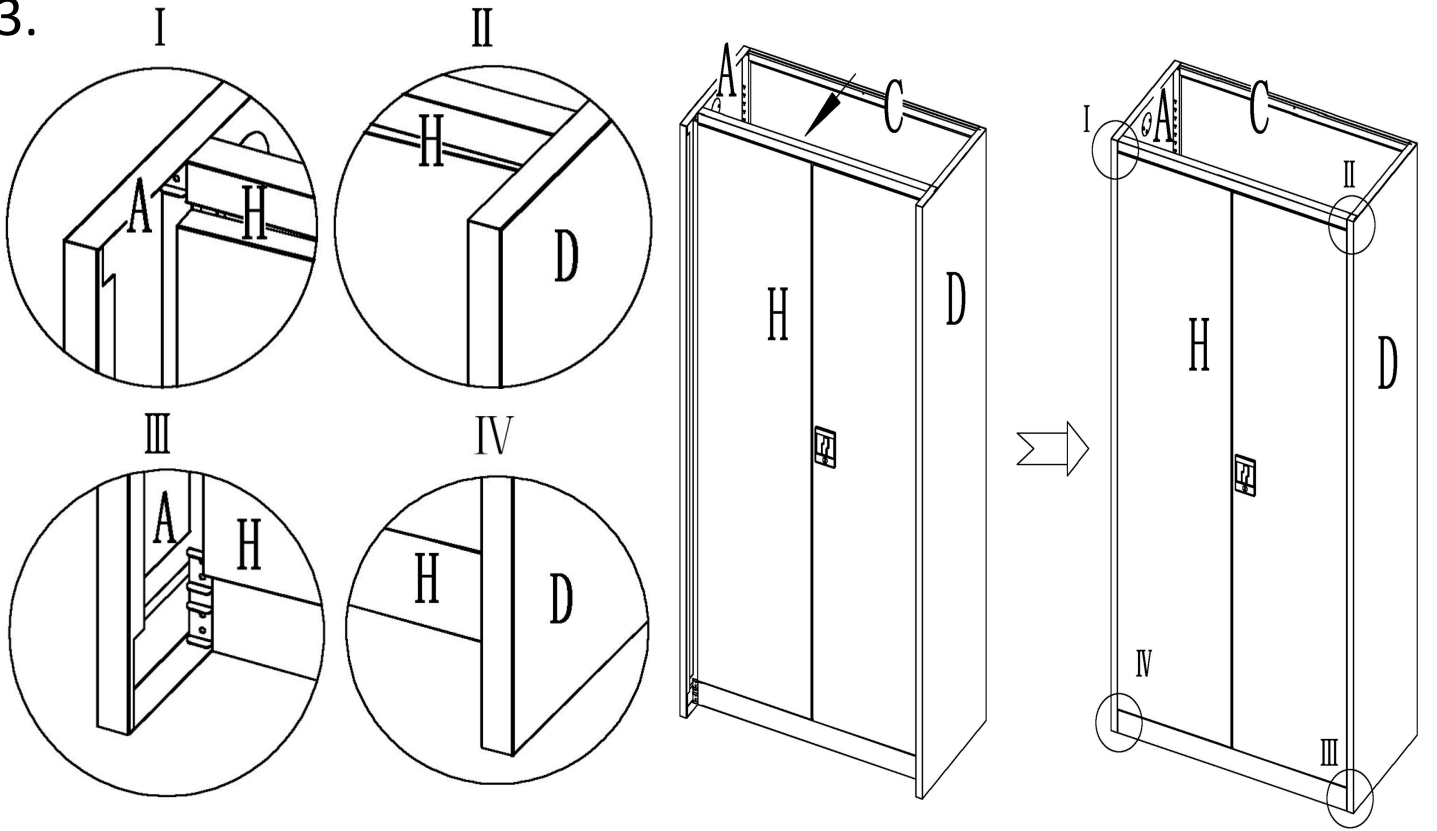


Bill of Material:

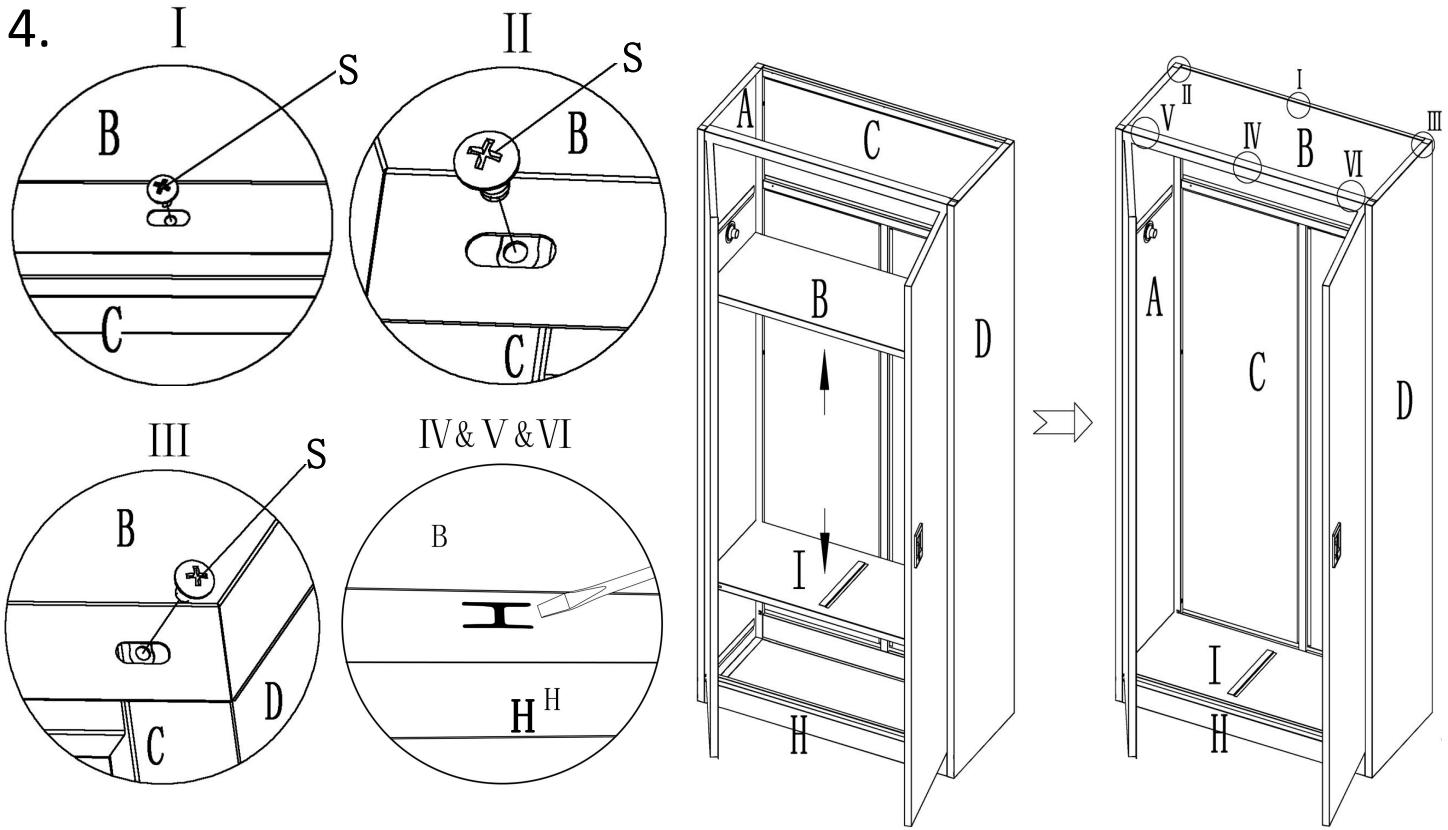
No.	Size(mm)	Quantity(pc)
TOP		
B	413*898	x1
MIDDLE		
A	450*1800	x1
D	450*1800	x1
C	900*1800	x1
H	900*1800	x1
E	411*898	x1
J	400*1421	x1
P	449	x1
F	421*442	x1
G	388*460	x1
O	388*460	x1
UNDER		
I	413*898	x1
K	36*450	x2
L	36*900	x2
M	60*60*110	x4
ANNEX		
S		x14
N		x16

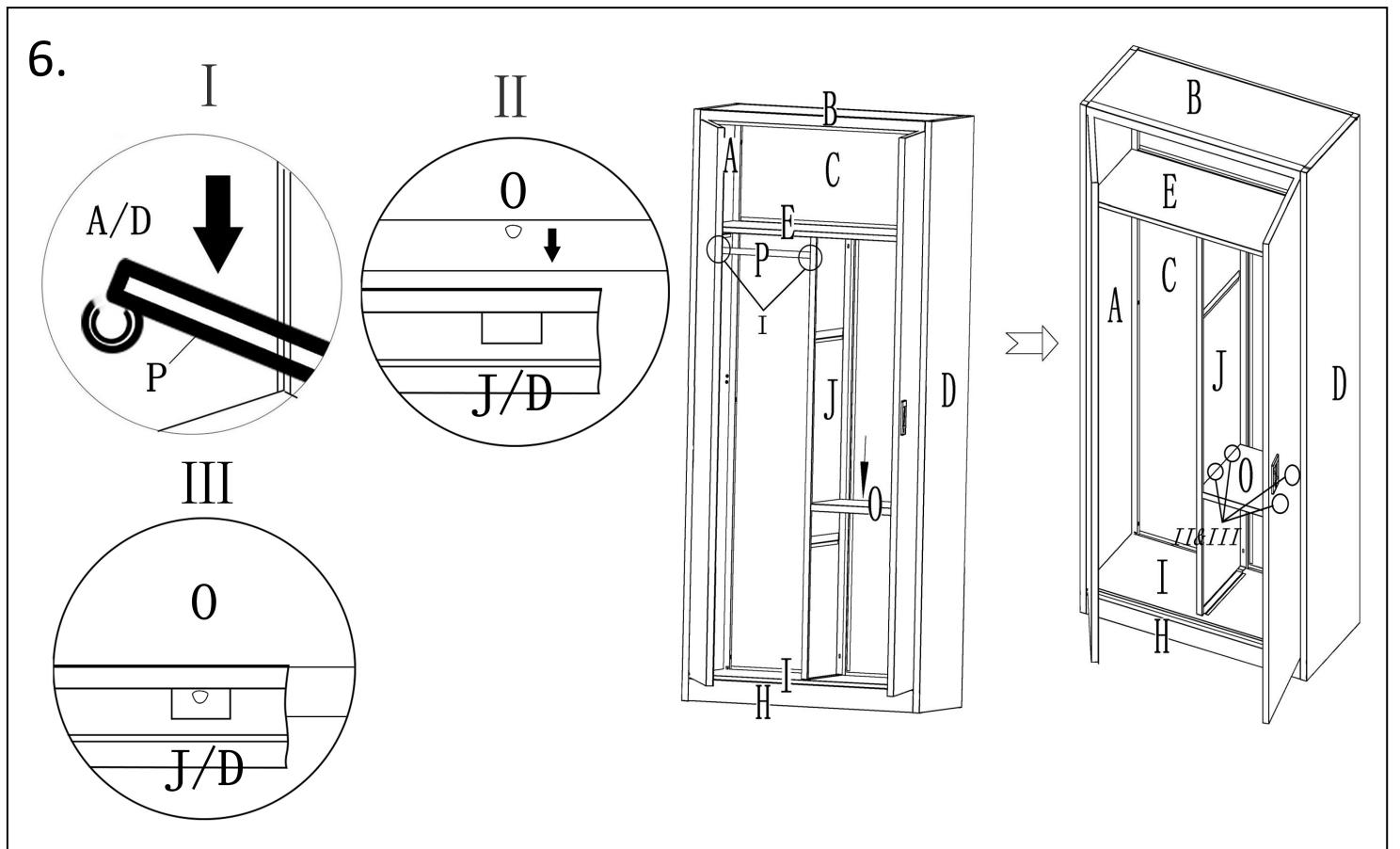
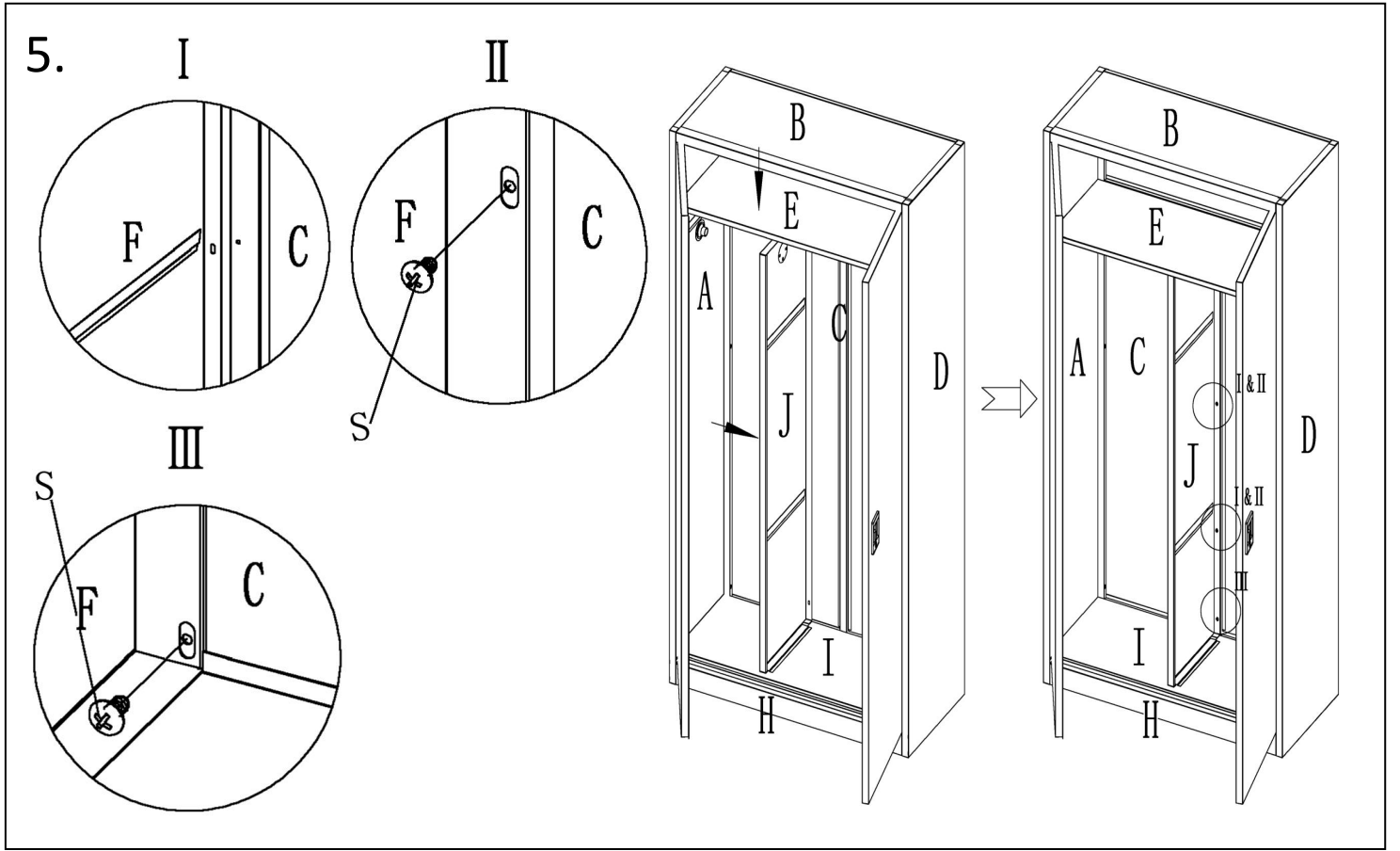


3.



4.

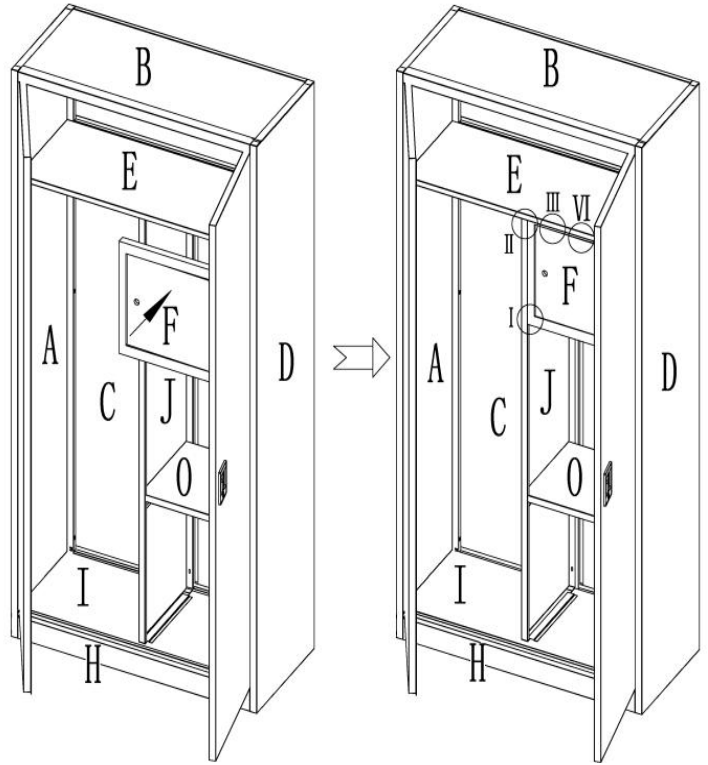
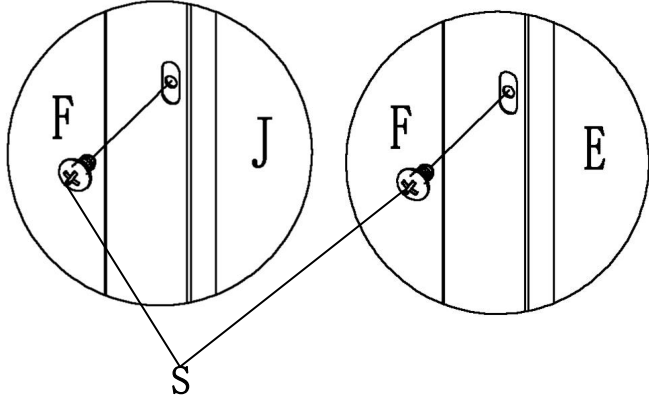




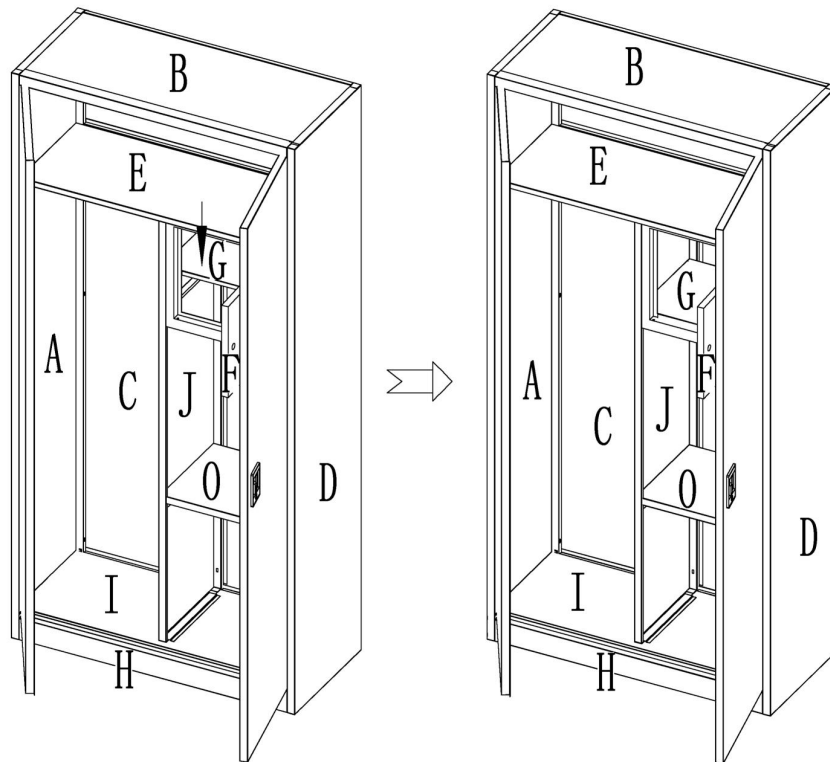
7.

I & II

III & VI



8.



9.

