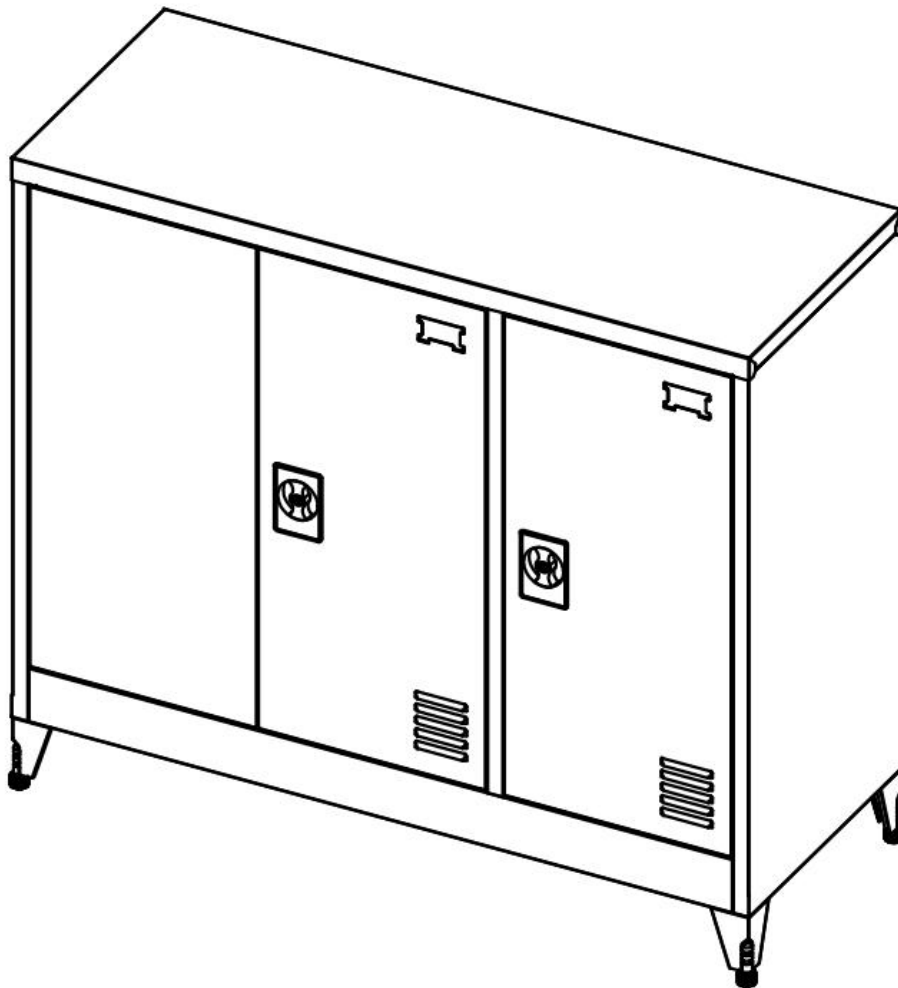


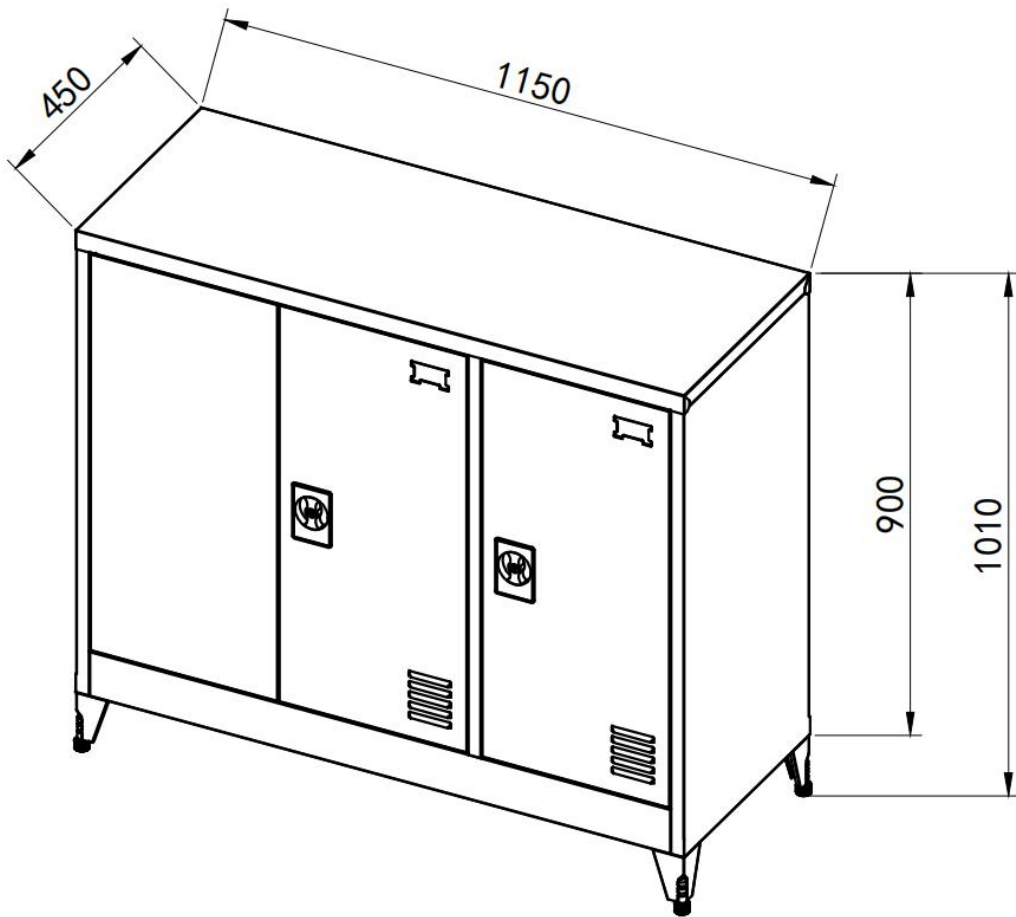
# Metal Wardrobe

---

Owner's Manual/  
Instruction for Assembly Model:452.015

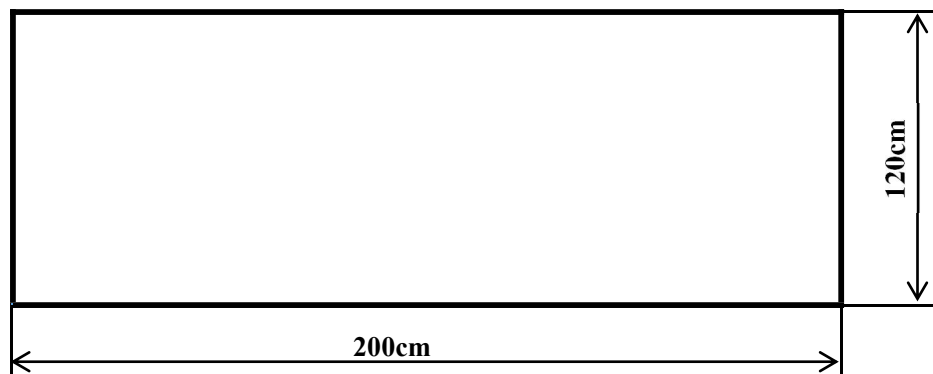


Size of Model:452.005

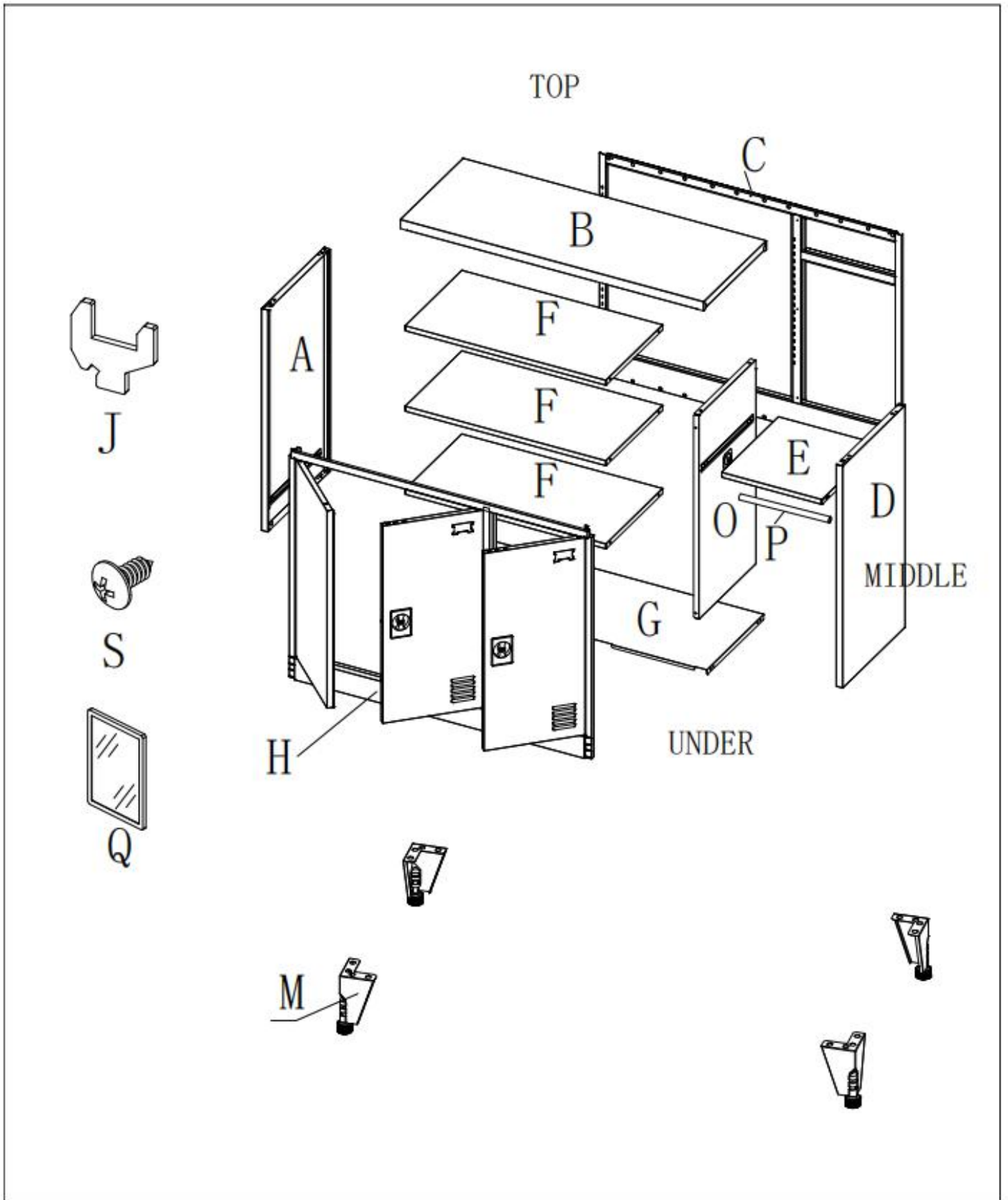


---



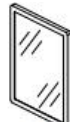
Area of installation requirement:



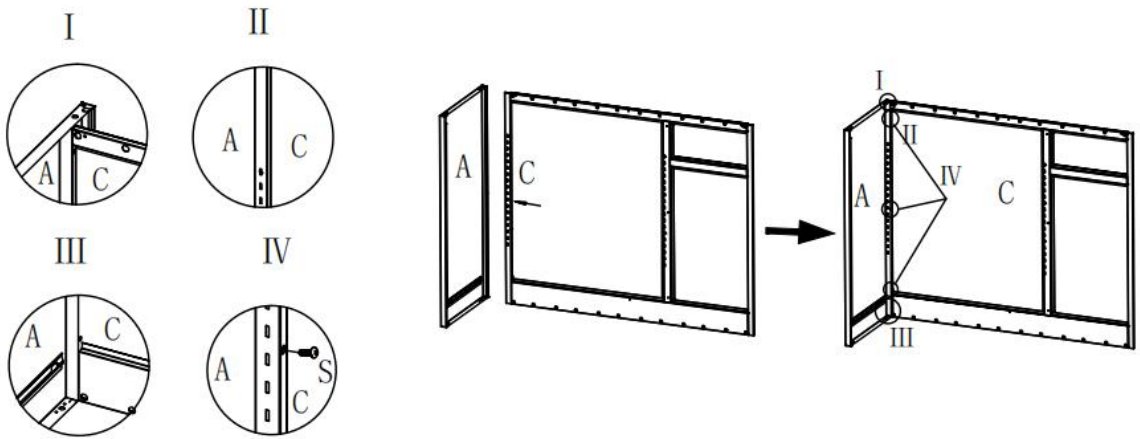
# Explosive View:



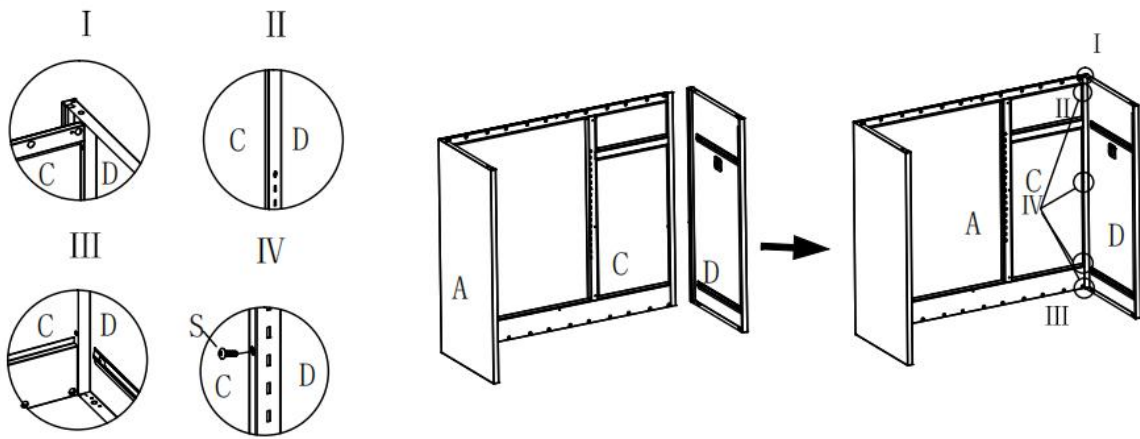
## Bill of Material:

No.	Size(mm)	Quantity(pc)
TOP		
B	451.5*1152	x1
MIDDLE		
A	450*870	x1
D	450*870	x1
C	1148*868	x1
H	1148*898	x1
E	382*410	x1
F	409*763	x3
O	800*411	x1
P	382	x1
UNDER		
G	414*1147	x1
M	60*60*110	x4
ANNEX		
J		x12
S		x31
Q		x1

1.



2.



3.

