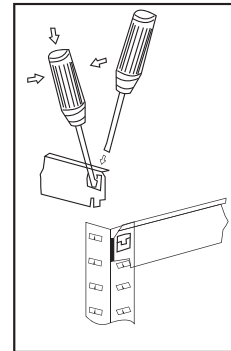
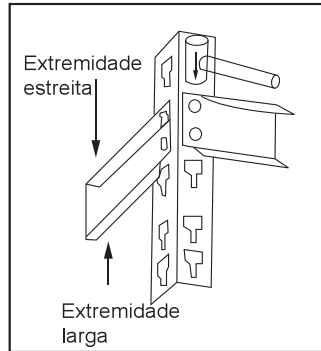
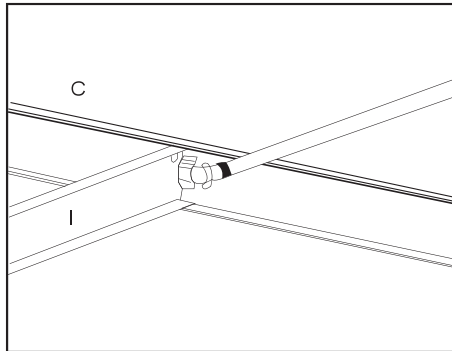
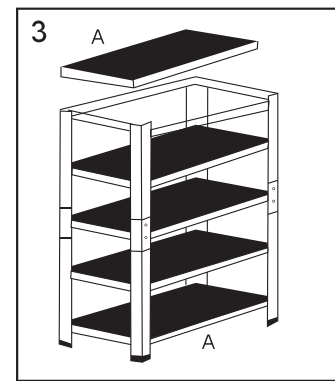
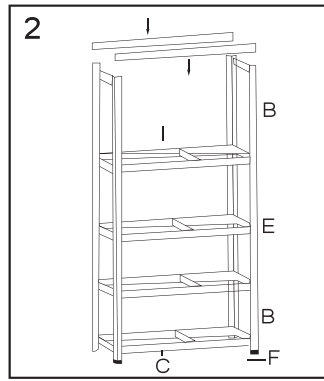
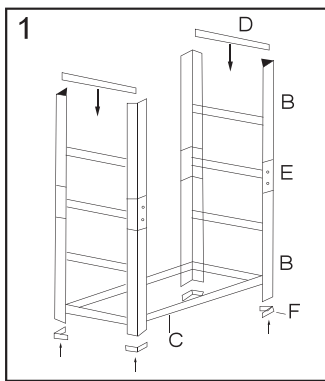


5 Shelf Shelving Kit

175KGS



A		5x	D		10x	G		5x
B		8x	E		4x			
C		10x	F		8x			

Assembly instructions

In case the guide moves, insert a screwdriver into the notch and bend it toward the opposite direction to open it. The maximum load of 175 kg per shelf must be uniformly distributed across the shelf. The load must be evenly distributed on the shelves in order to avoid damages to the particleboard.

The shelf is not suitable for use in areas with high humidity, which could cause damages to the particleboard.

Attention! Never exceed the maximum shelf load or the maximum load of the complete shelf array (see instructions on packaging or shelf). In order to increase stability, we recommend anchoring the shelf to a wall.

1. Please read the tips and safety instructions carefully, prior to installation.
2. Remove all packaging material. Check all components for completeness (see list of components).
3. **Attention:** Check product for transport damages prior to assembly. We are not liable for any damages on the assembled product!
4. In order to avoid scratches, assemble this product on a clean and even surface (i.e. a carpet).
5. Please use a rubber hammer in order to avoid damaging the paint.
6. Please always place the shelves on a horizontal and perfectly plane surface, otherwise they may not guarantee maximum stability and load capacity.
7. Disclaimer of warranty: We are not liable of any damages or consequential losses or damages, if incorrect assembly caused the damage or if the product was not assembled according to instructions.
8. Please use only anchors and fastening screws suitable for your wall type and shelf weight! (Anchors or screws and tools for wall attachment are not included in this package).

Attention: Do not damage any water or electrical conduits during the installation!