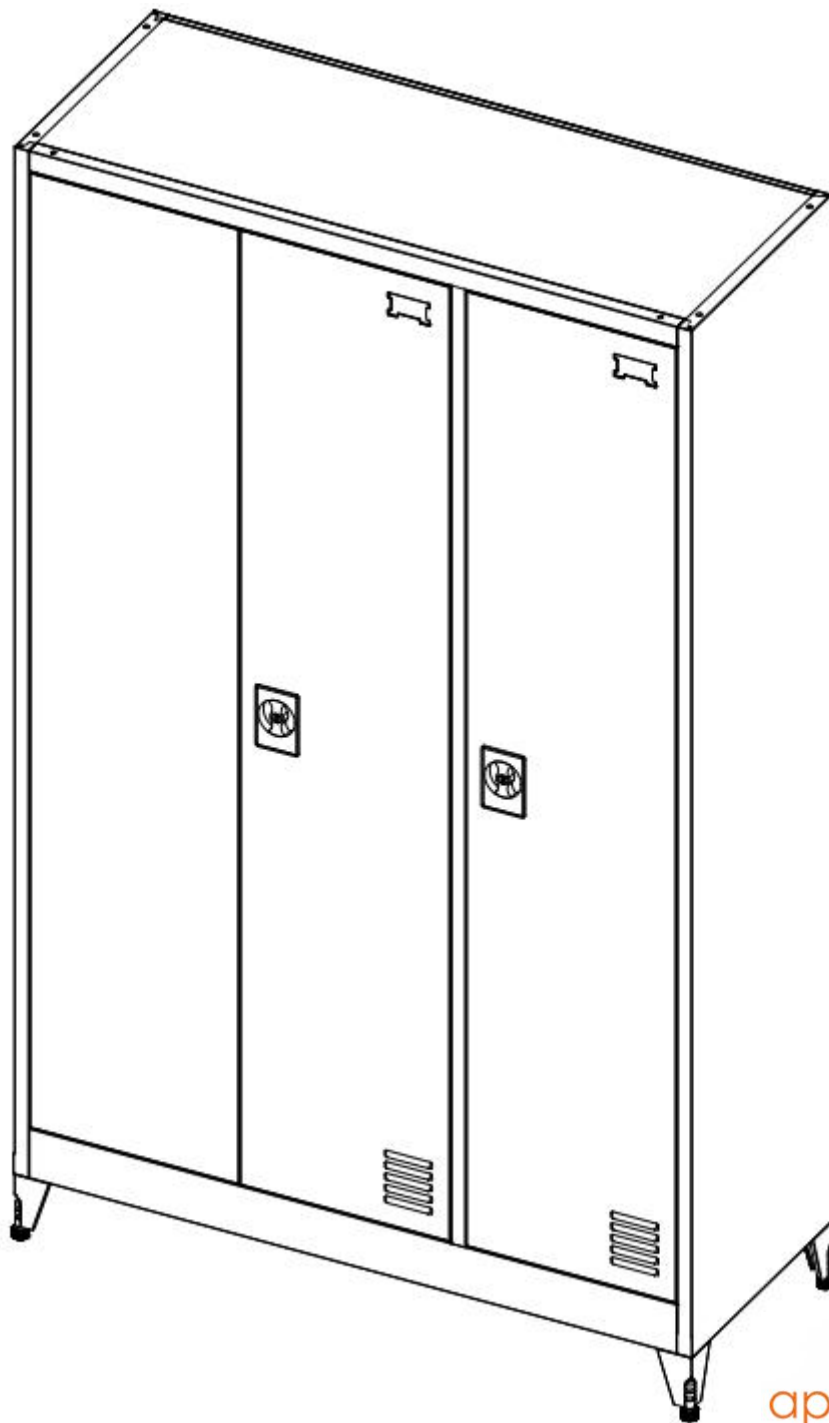


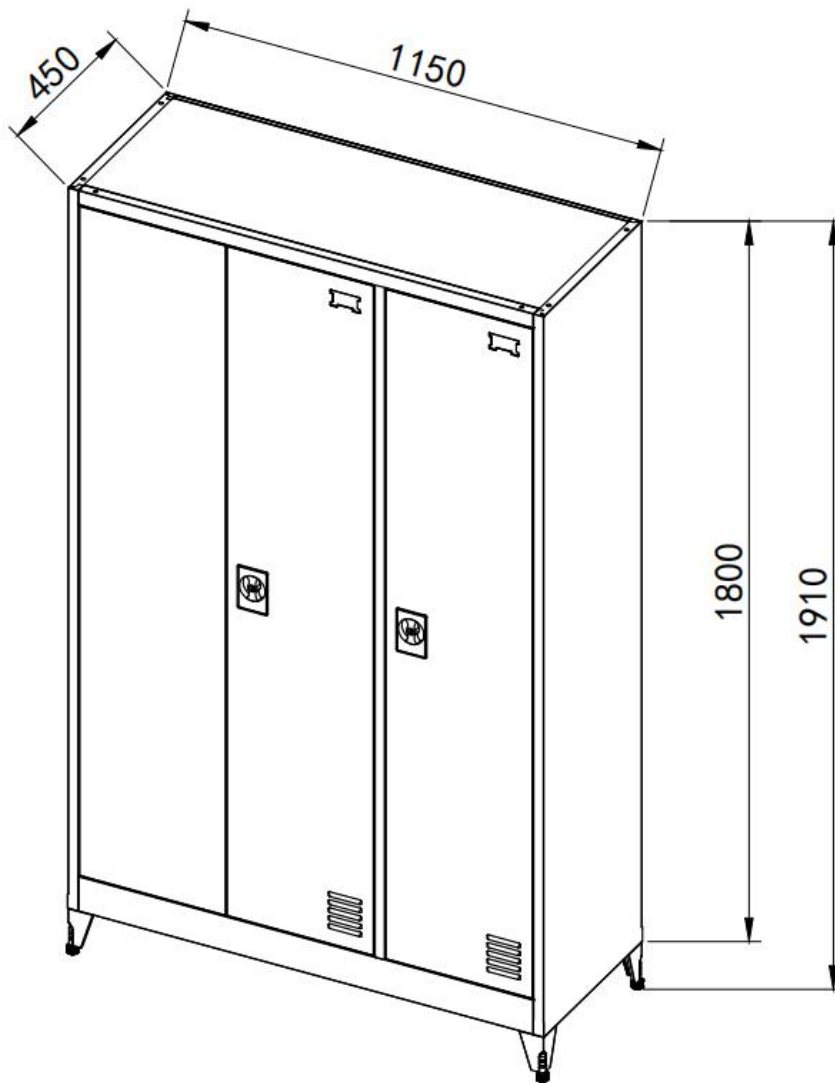
# Metal Wardrobe

---

Owner's Manual/  
Instruction for Assembly Model:452.005

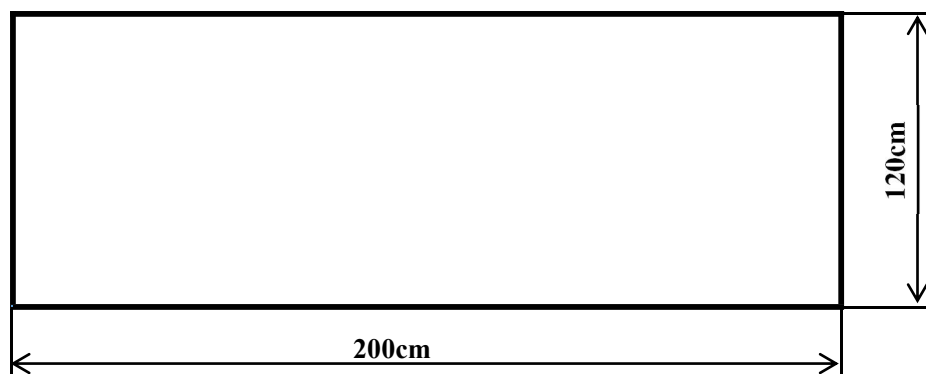


Size of Model:452.005

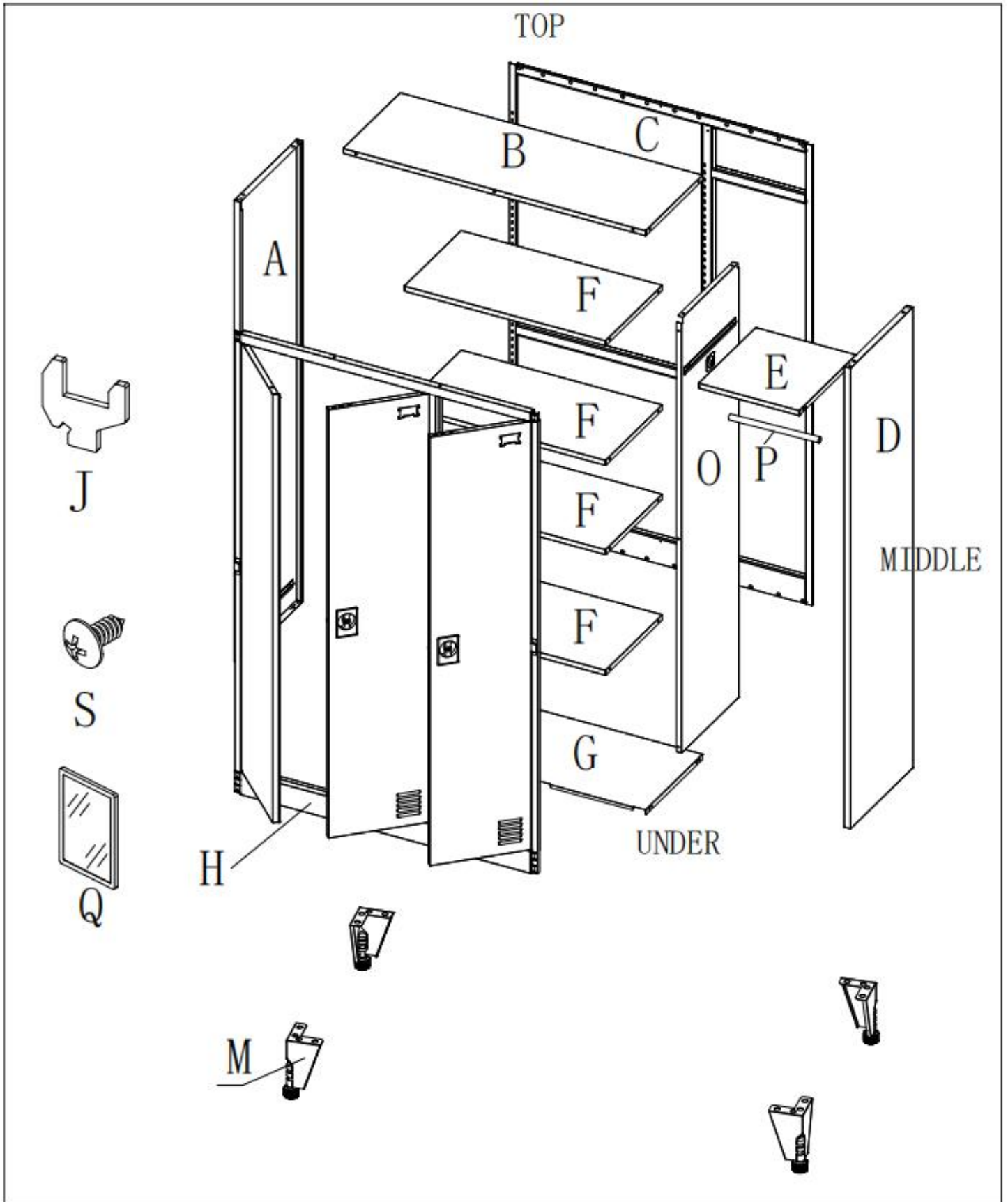


---



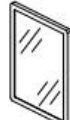
Area of installation requirement:



# Explosive View:



## Bill of Material:

No.	Size(mm)	Quantity(pc)
TOP		
B	410*1147	x1
MIDDLE		
A	450*1800	x1
D	450*1800	x1
C	1148*1798	x1
H	1148*1800	x1
E	382*410	x1
F	409*763	x4
O	1699.5*411	x1
P	382	x1
UNDER		
G	414*1147	x1
M	60*60*110	x4
ANNEX		
J		x16
S		x37
Q		x1

