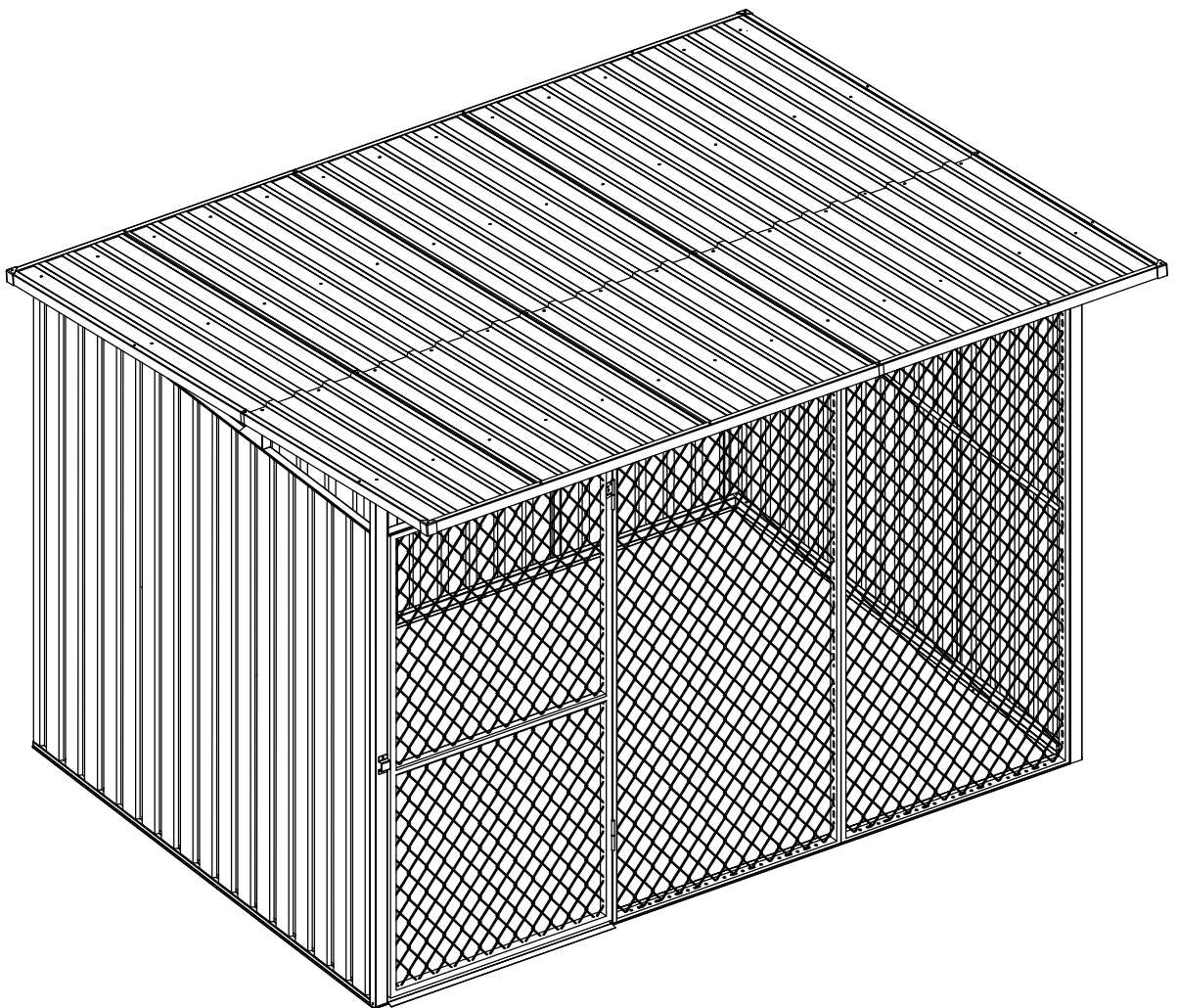
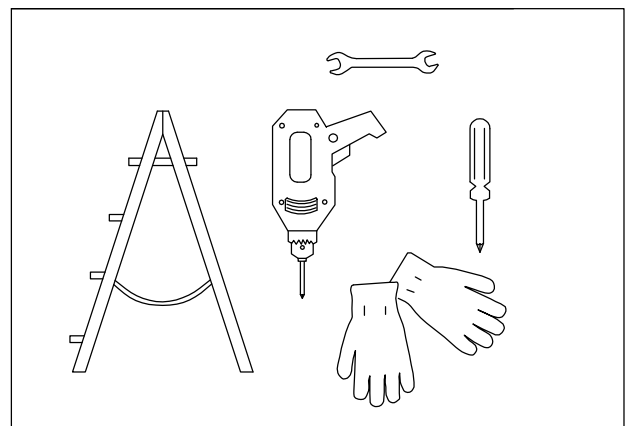
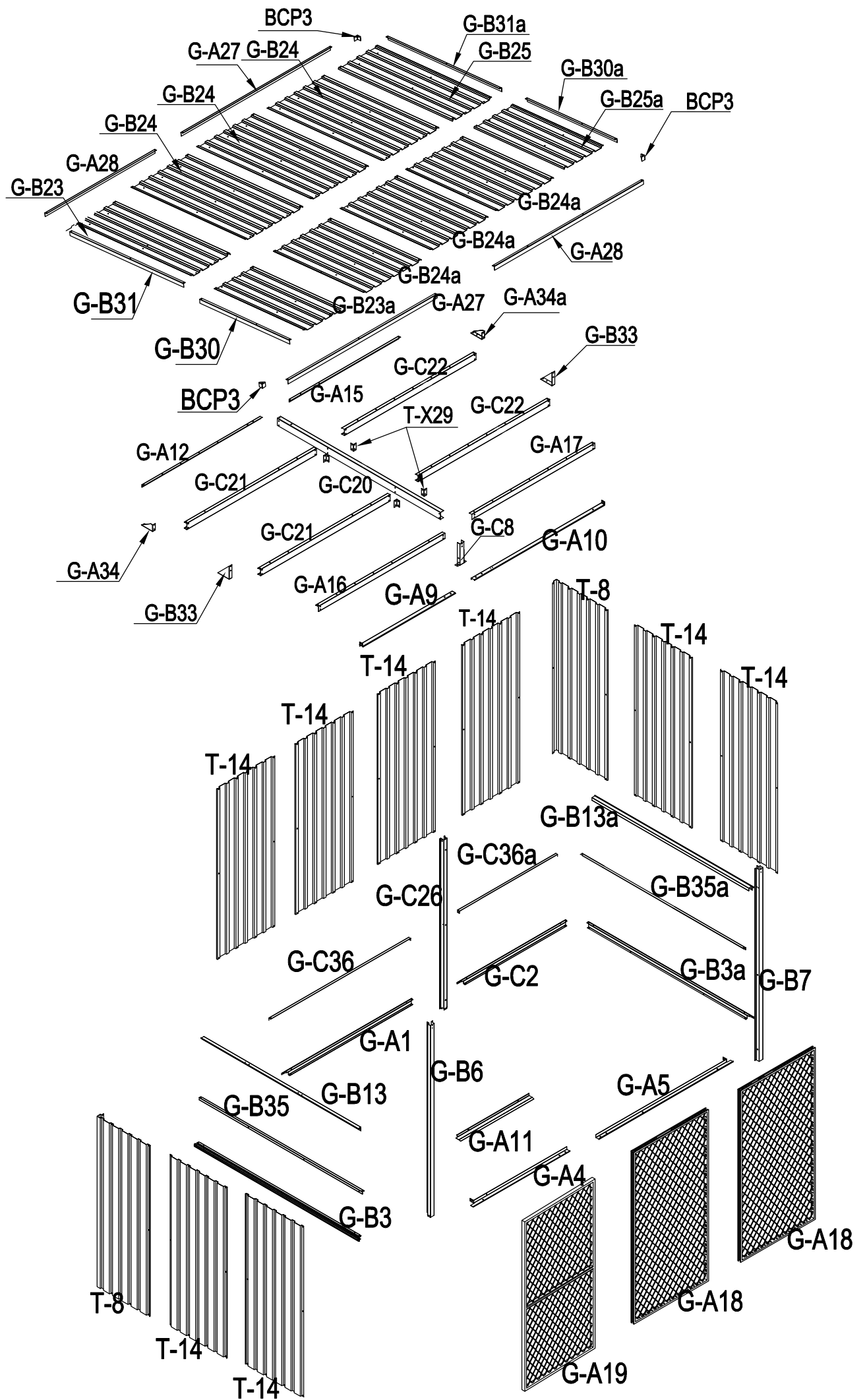


DOG HOUSE 8X7

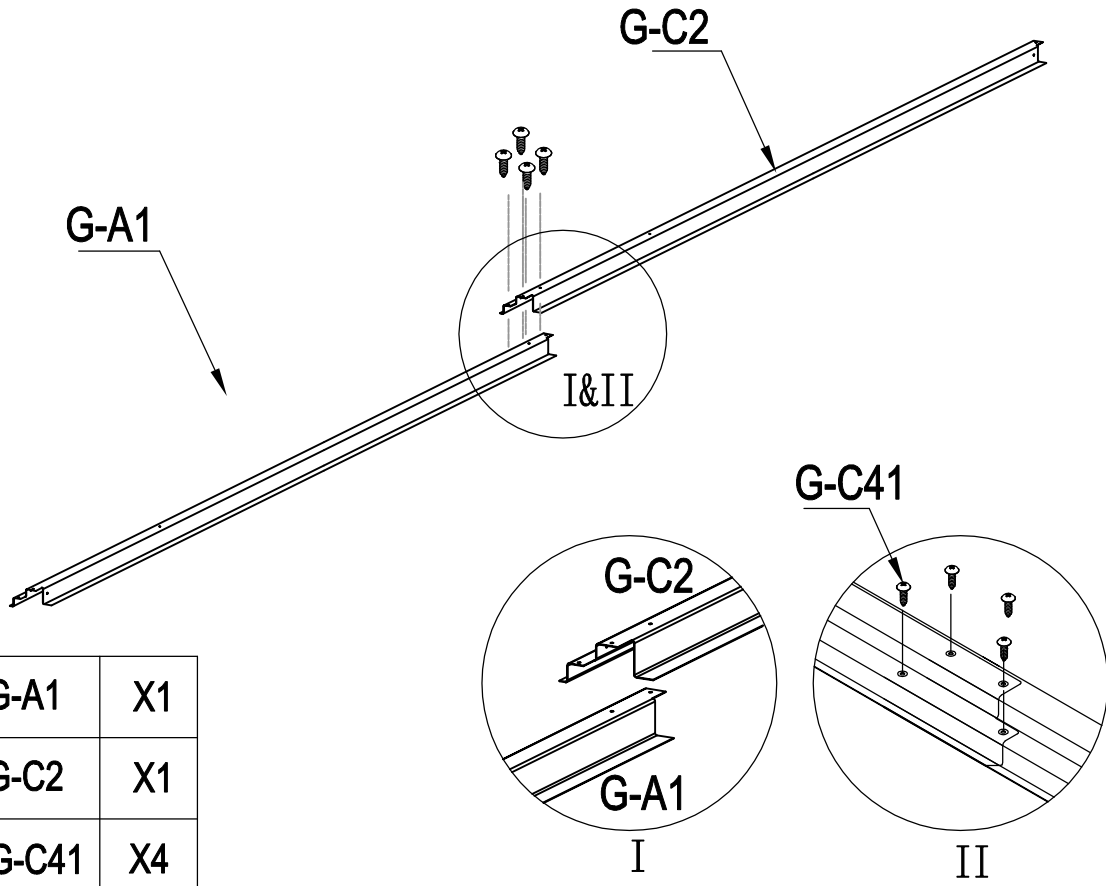


(G-A1)	_____	(X1)	(G-C26)	_____	(X1)
(G-C2)	_____	(X1)	(G-A27)	_____	(X2)
(G-B3)	_____	(X1)	(G-A28)	_____	(X2)
(G-B3a)	_____	(X1)	(T-X29)	_____	(X4)
(G-A4)	_____	(X1)	(G-B30)	_____	(X1)
(G-A5)	_____	(X1)	(G-B30a)	_____	(X1)
(G-B6)	_____	(X1)	(G-B31)	_____	(X1)
(G-B7)	_____	(X1)	(G-B31a)	_____	(X1)
(G-C8)	_____	(X1)	(G-B33)	_____	(X2)
(T-8)	_____	(X2)	(G-A34)	_____	(X1)
(T-14)	_____	(X8)	(G-A34a)	_____	(X1)
(G-A9)	_____	(X1)	(G-B35)	_____	(X1)
(G-A10)	_____	(X1)	(G-B35a)	_____	(X1)
(G-A11)	_____	(X1)	(G-C36)	_____	(X1)
(G-B13)	_____	(X1)	(G-C36a)	_____	(X1)
(G-B13a)	_____	(X1)	(BCP3)	_____	(X4)
(G-A12)	_____	(X1)	(G-C40)	_____	(X120)
(G-A15)	_____	(X1)	(G-C41)	_____	(X115)
(G-A16)	_____	(X1)	(G-C42)	_____	(X105)
(G-A17)	_____	(X1)	(G-C43)	_____	(X18)
(G-A18)	_____	(X2)	(G-C44)	_____	(X3)
(G-A19)	_____	(X1)	(G-46)	_____	(X1)
(G-C20)	_____	(X1)			
(G-C21)	_____	(X2)			
(G-C22)	_____	(X2)			
(G-B23)	_____	(X1)			
(G-B23a)	_____	(X1)			
(G-B24)	_____	(X3)			
(G-B24a)	_____	(X3)			
(G-B25)	_____	(X1)			
(G-B25a)	_____	(X1)			



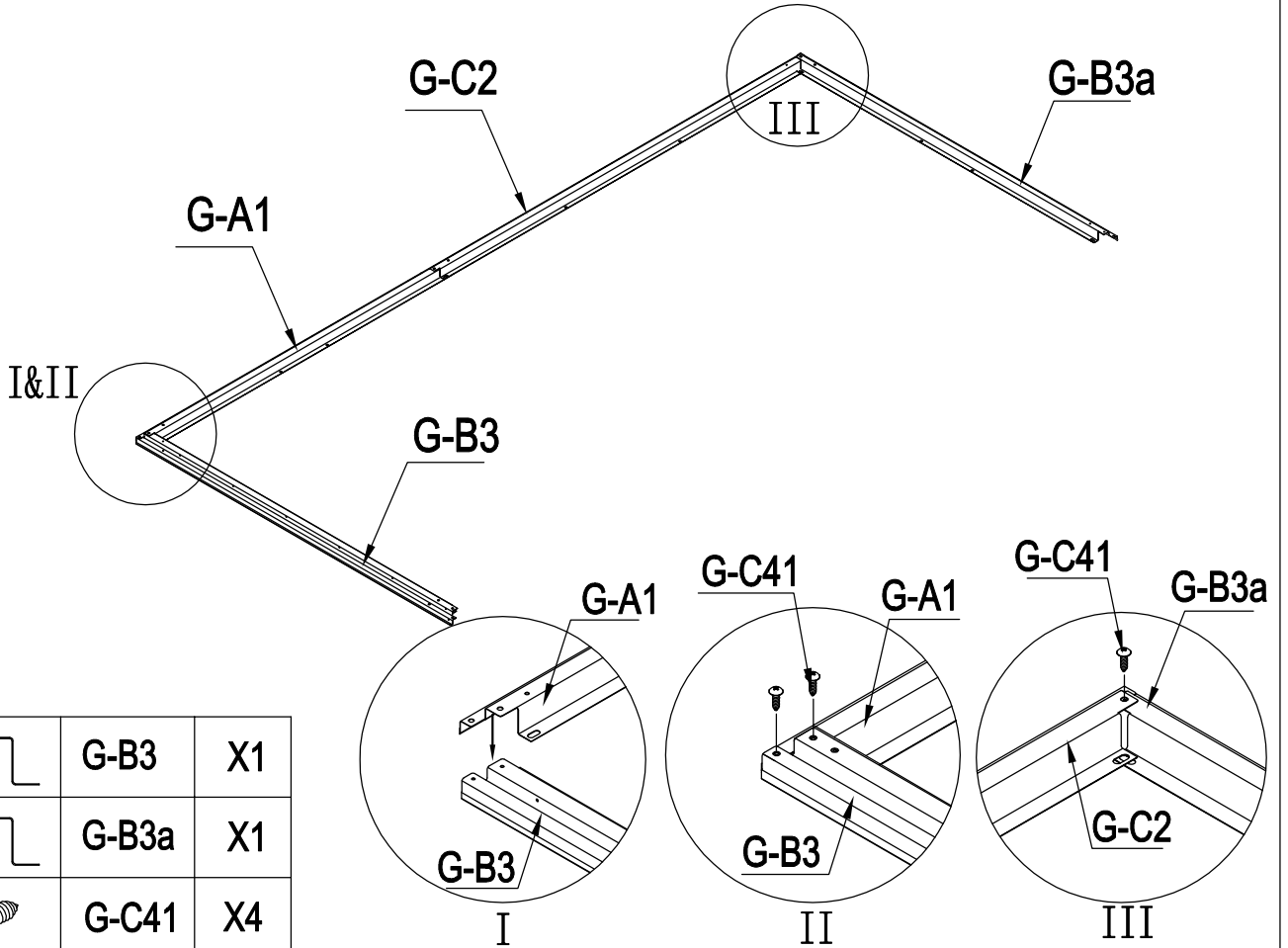


1



	G-A1	X1
	G-C2	X1
	G-C41	X4

2

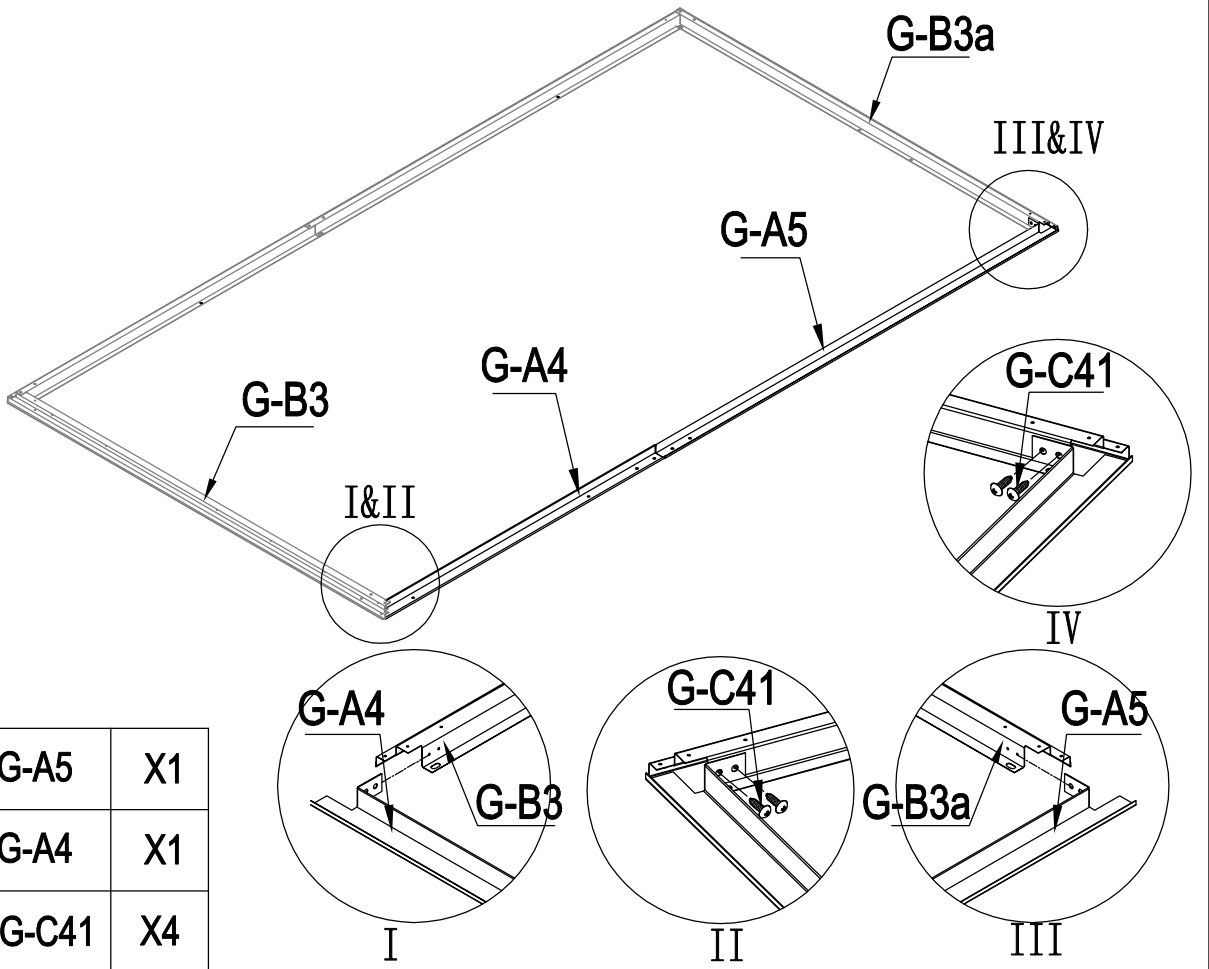


	G-B3	X1
	G-B3a	X1
	G-C41	X4

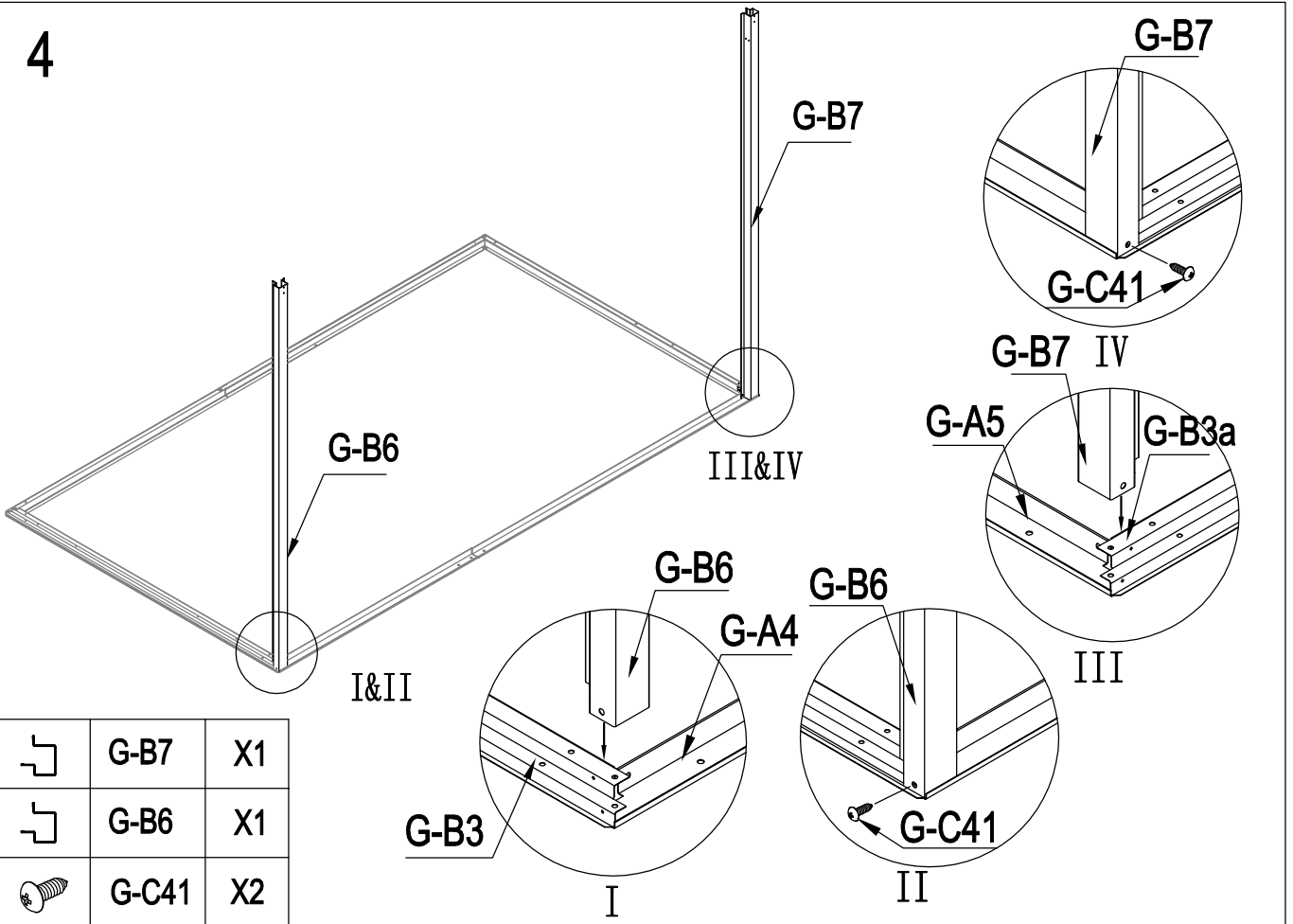
1



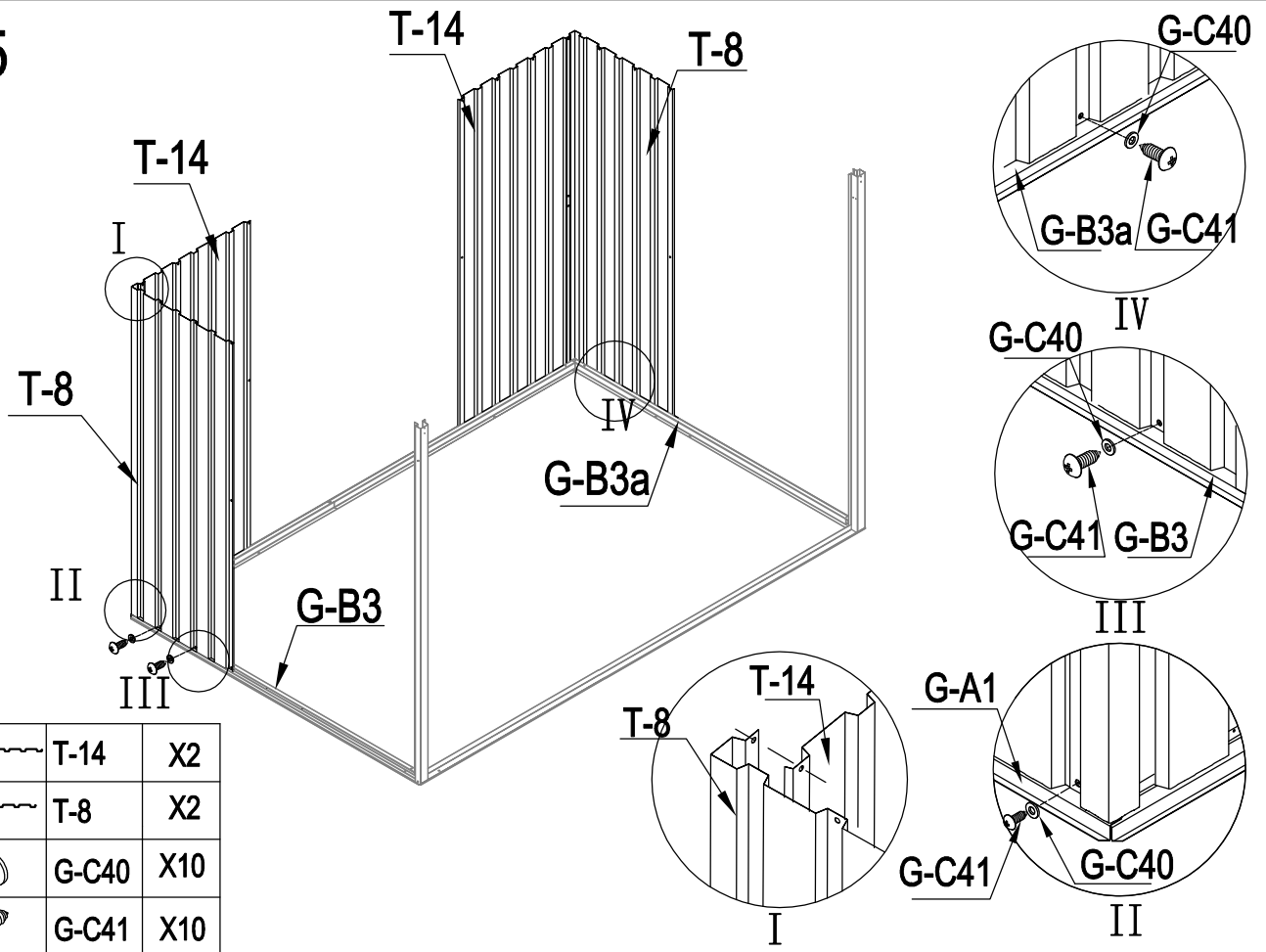
3

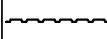
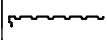




4

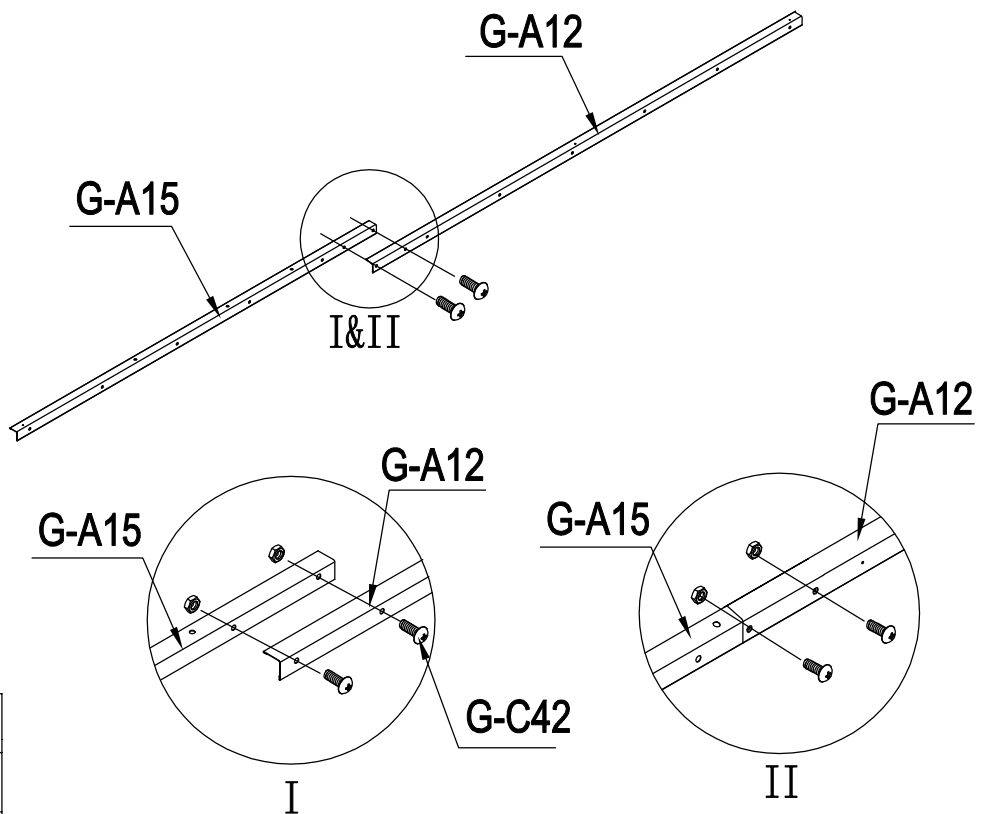





5



	T-14	X2
	T-8	X2
	G-C40	X10
	G-C41	X10

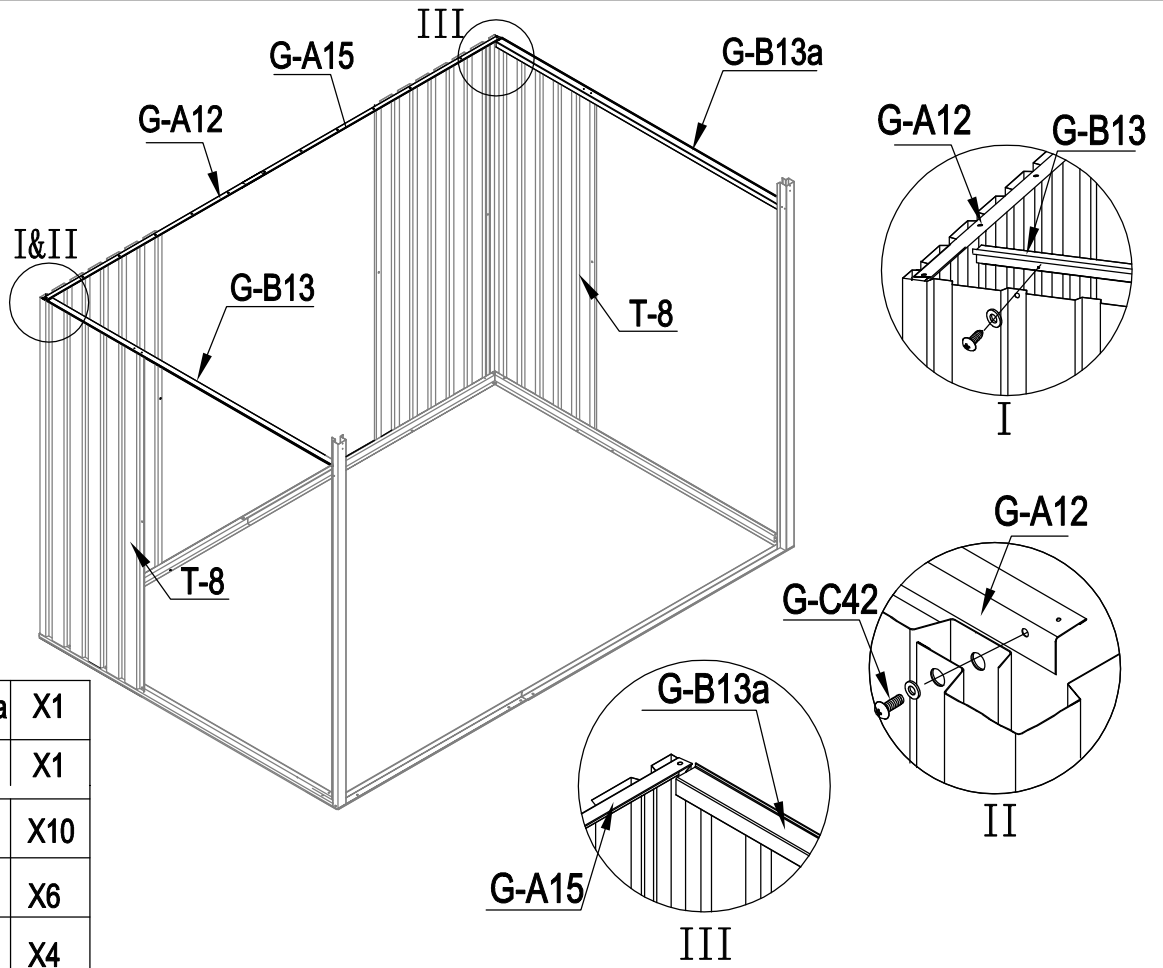
6



	G-A15	X1
	G-A12	X1
	G-C42	X2

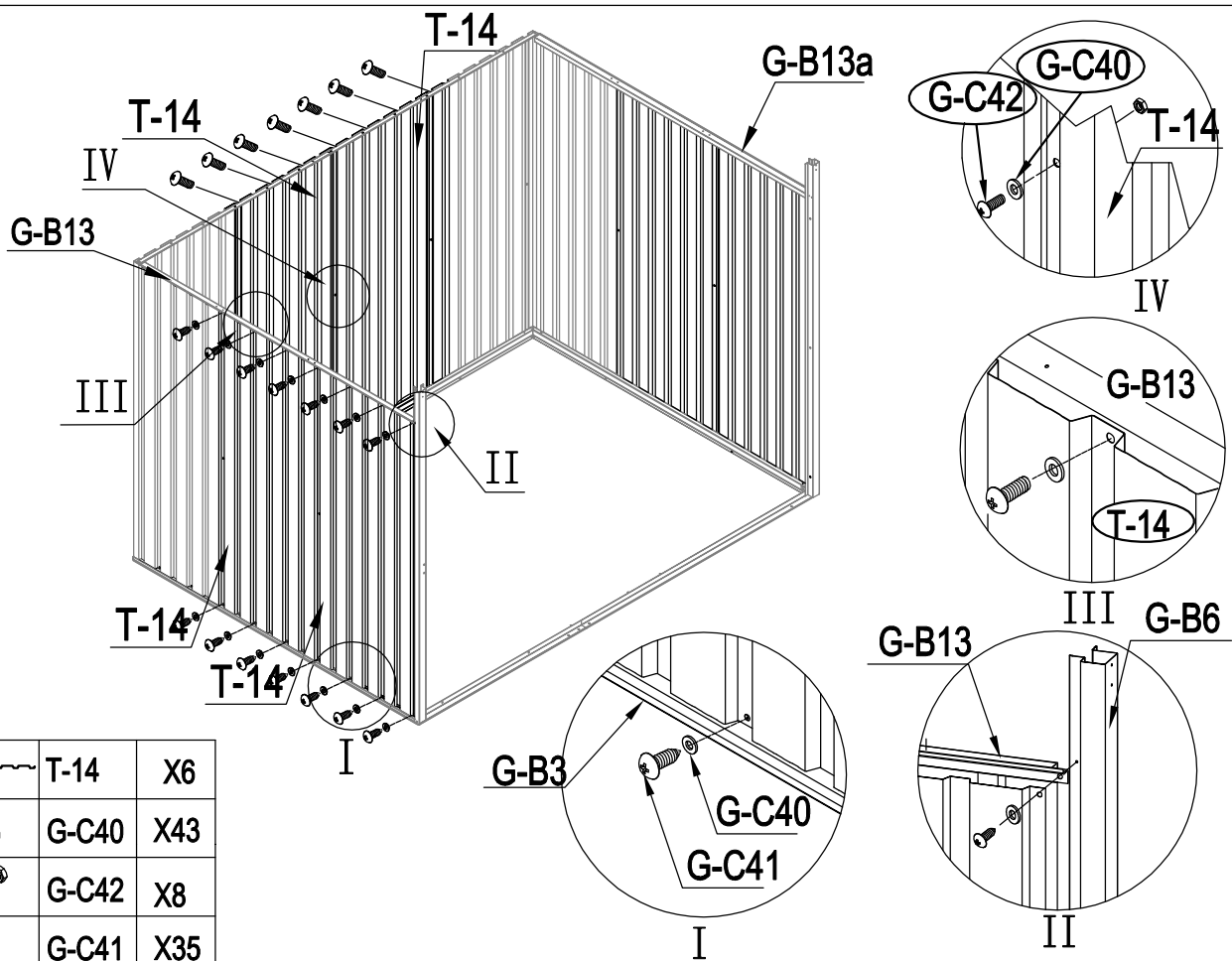


7



	G-B13a	X1
	G-B13	X1
	G-C40	X10
	G-C42	X6
	G-C41	X4

8

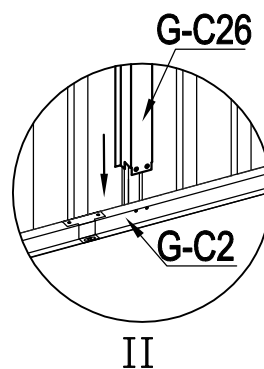
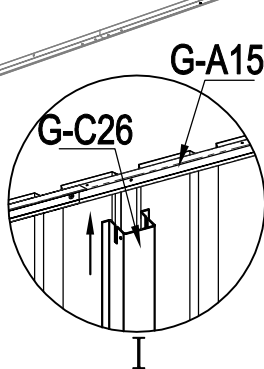
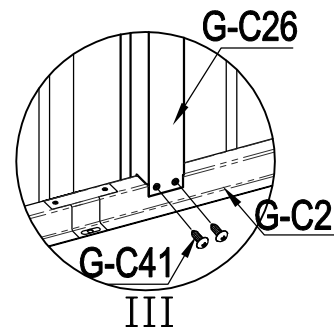
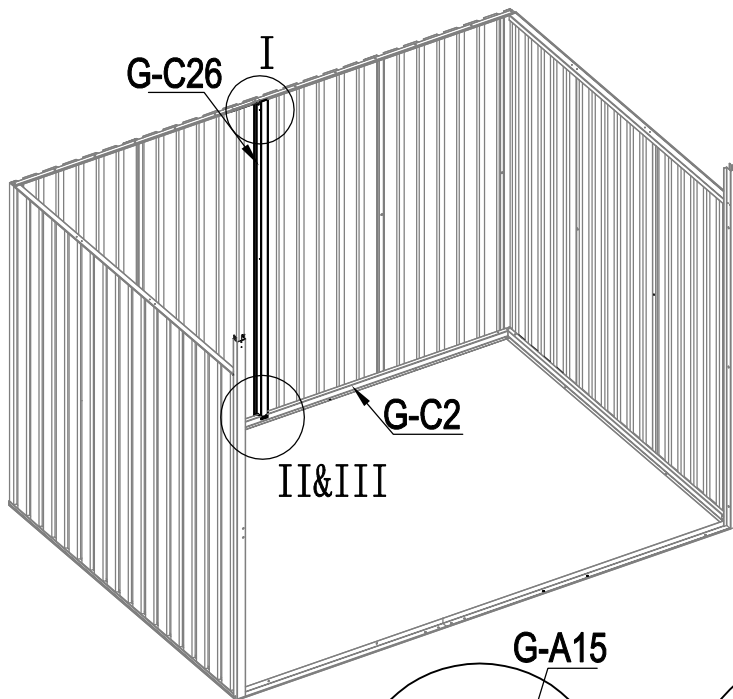


	T-14	X6
	G-C40	X43
	G-C42	X8
	G-C41	X35

4

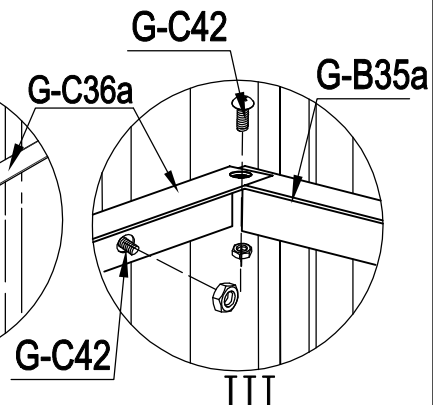
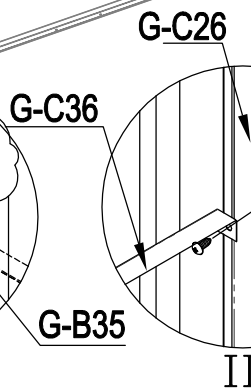
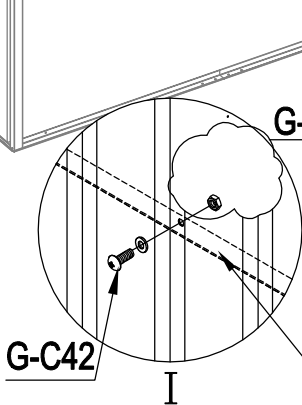
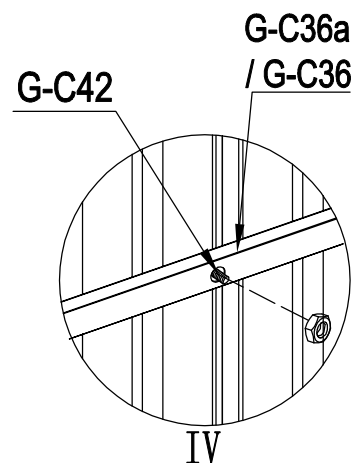
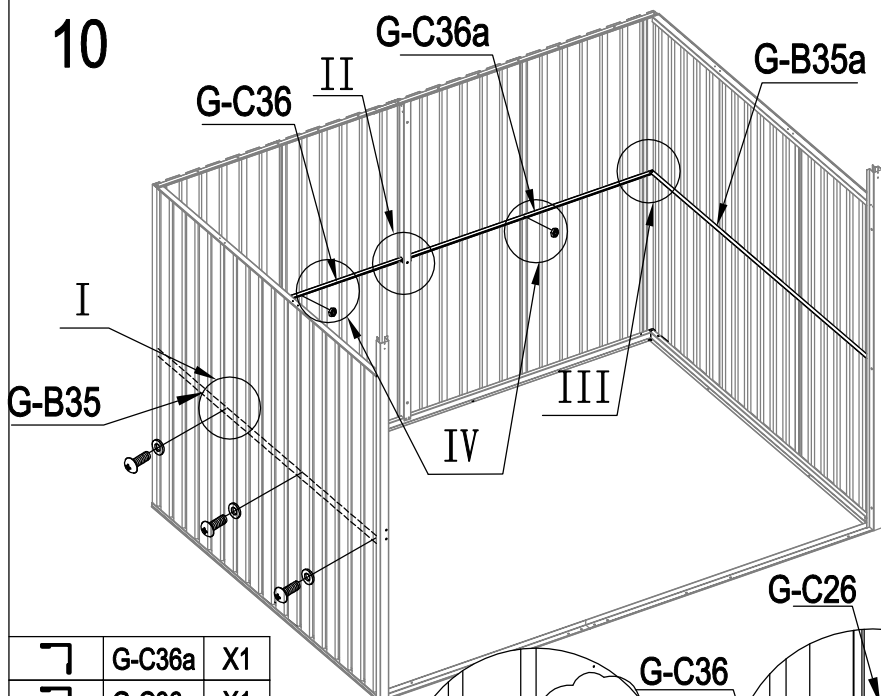


9



	G-C26	X1
	G-C41	X2

10

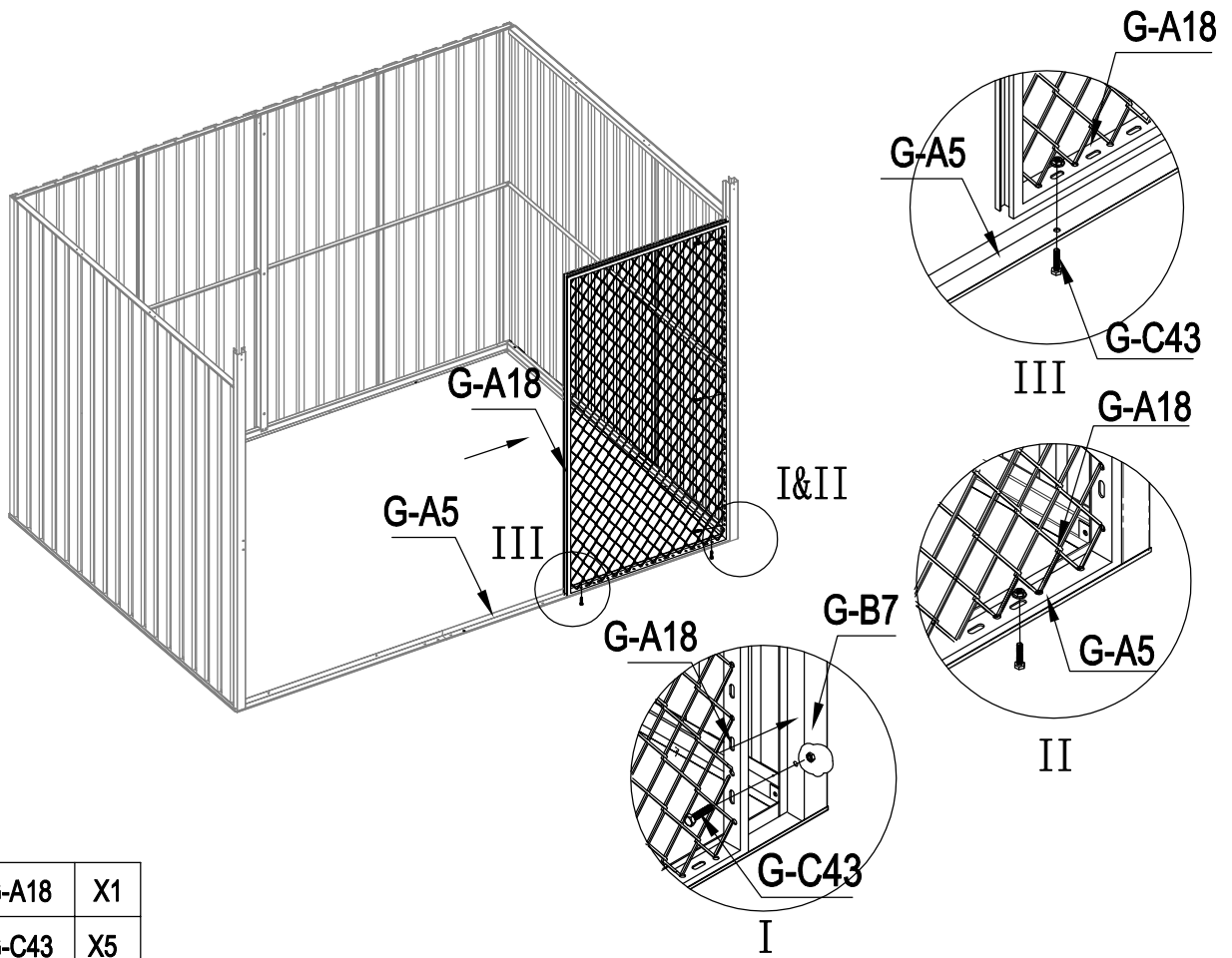




	G-C36a	X1
	G-C36	X1
	G-B35	X1
	G-B35a	X1
	G-C40	X10
	G-C41	X2
	G-C42	X12

5

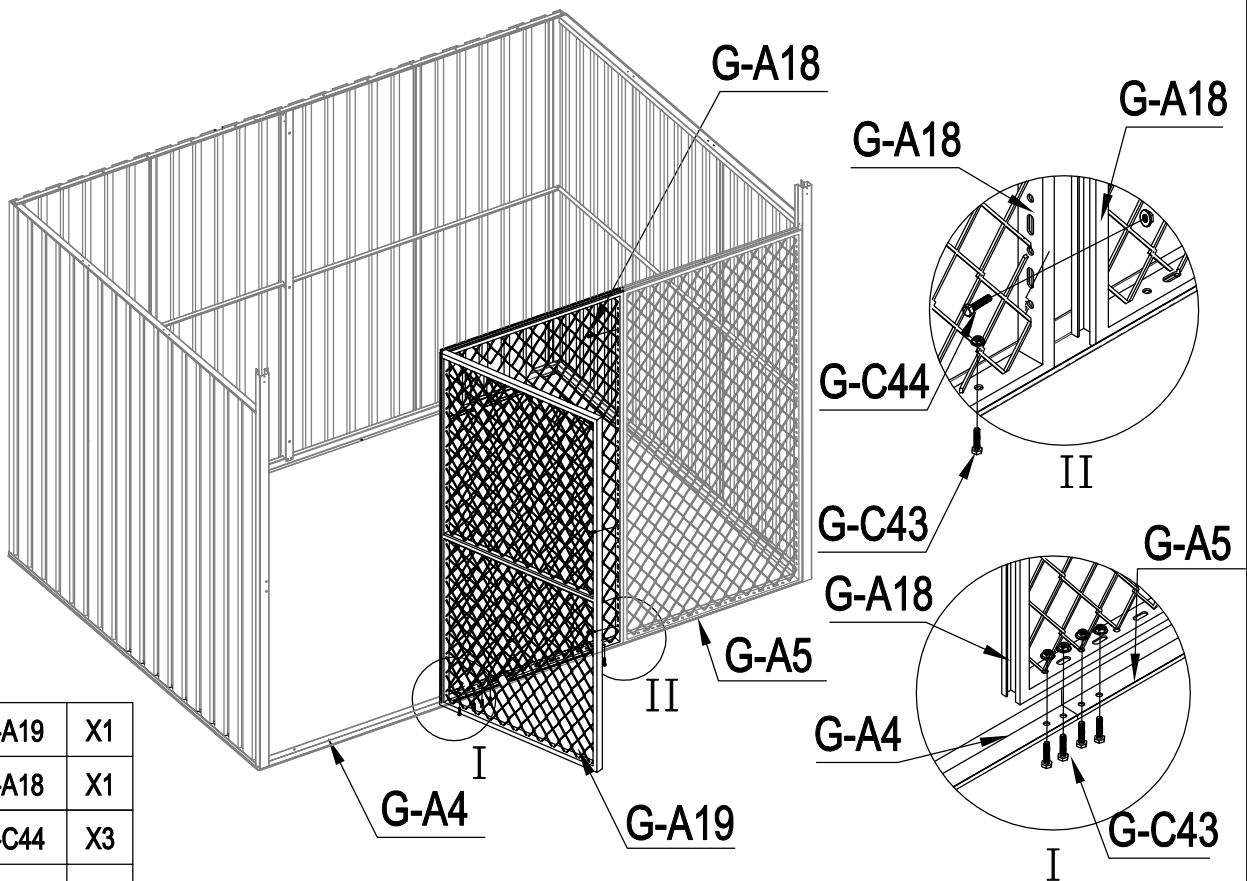






11



	G-A18	X1
	G-C43	X5

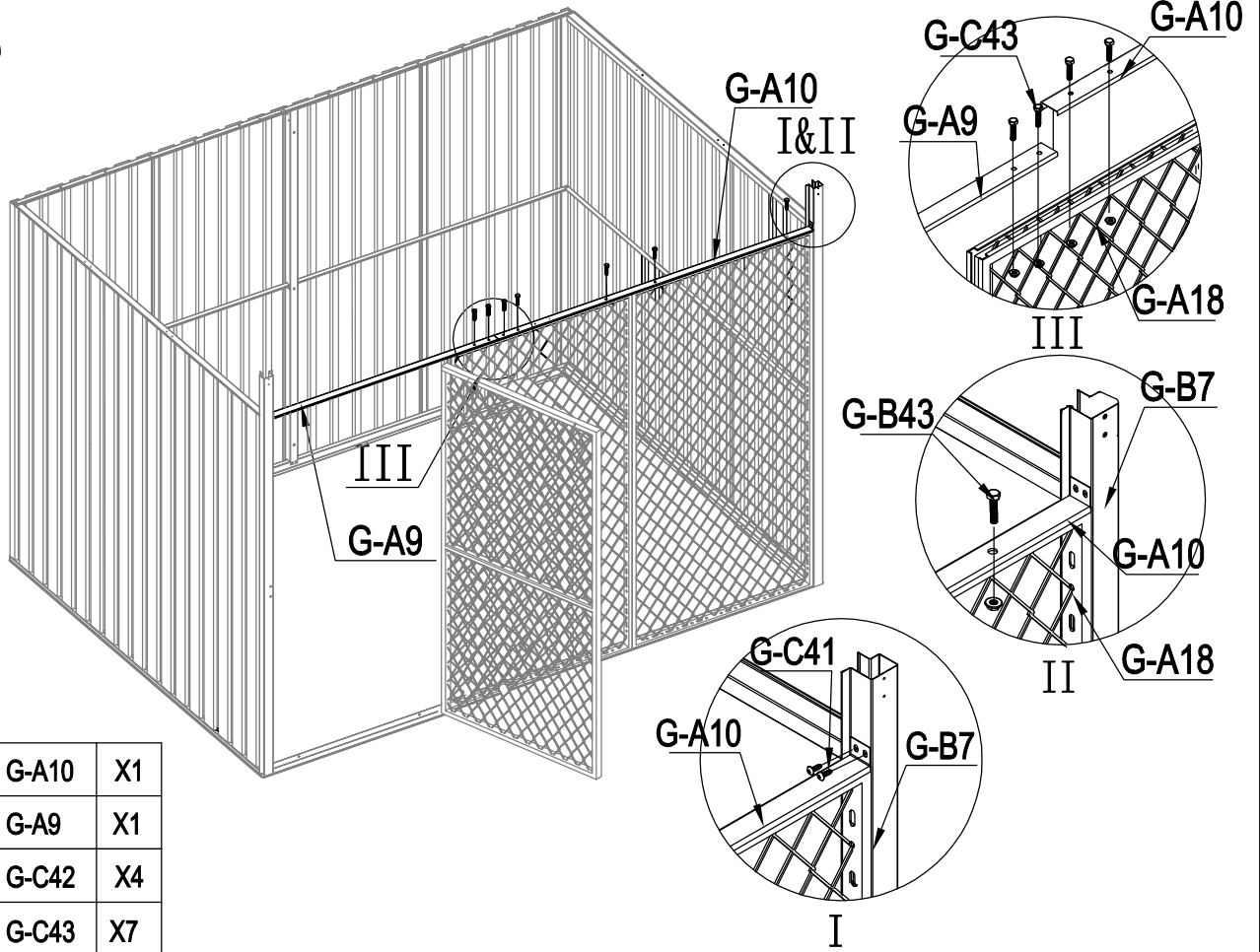
12



	G-A19	X1
	G-A18	X1
	G-C44	X3
	G-C43	X5

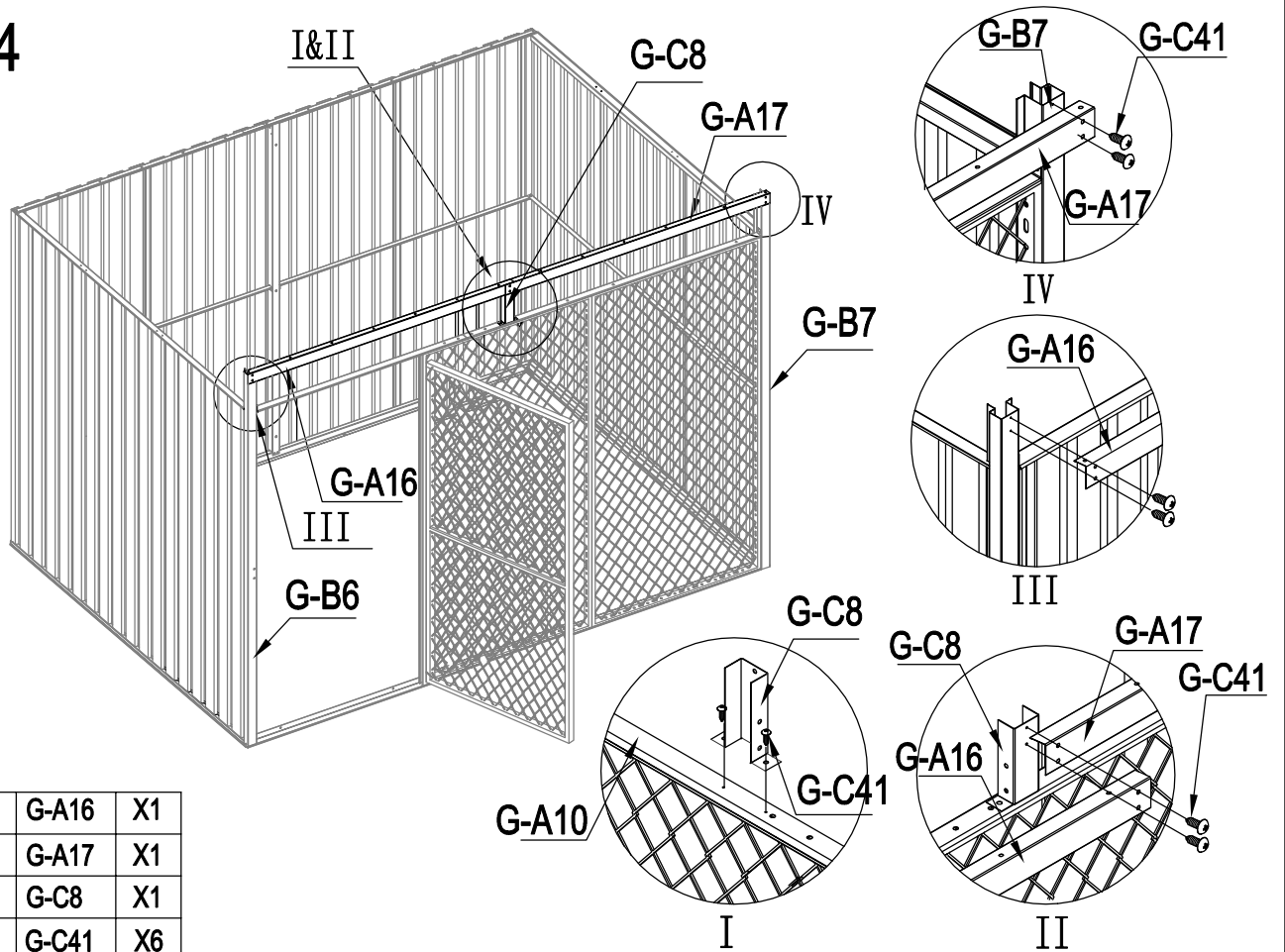


13



	G-A10	X1
	G-A9	X1
	G-C42	X4
	G-C43	X7

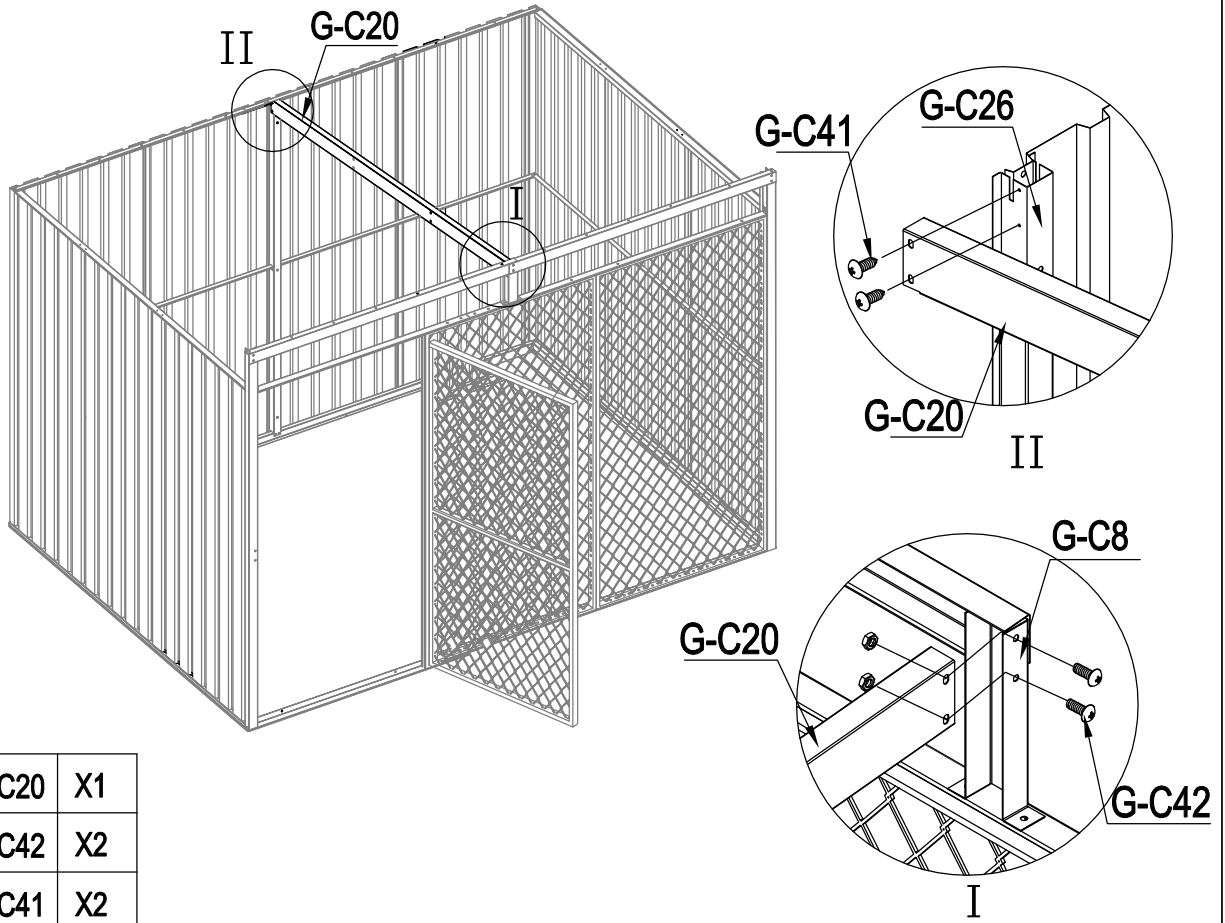
14



	G-A16	X1
	G-A17	X1
	G-C8	X1
	G-C41	X6

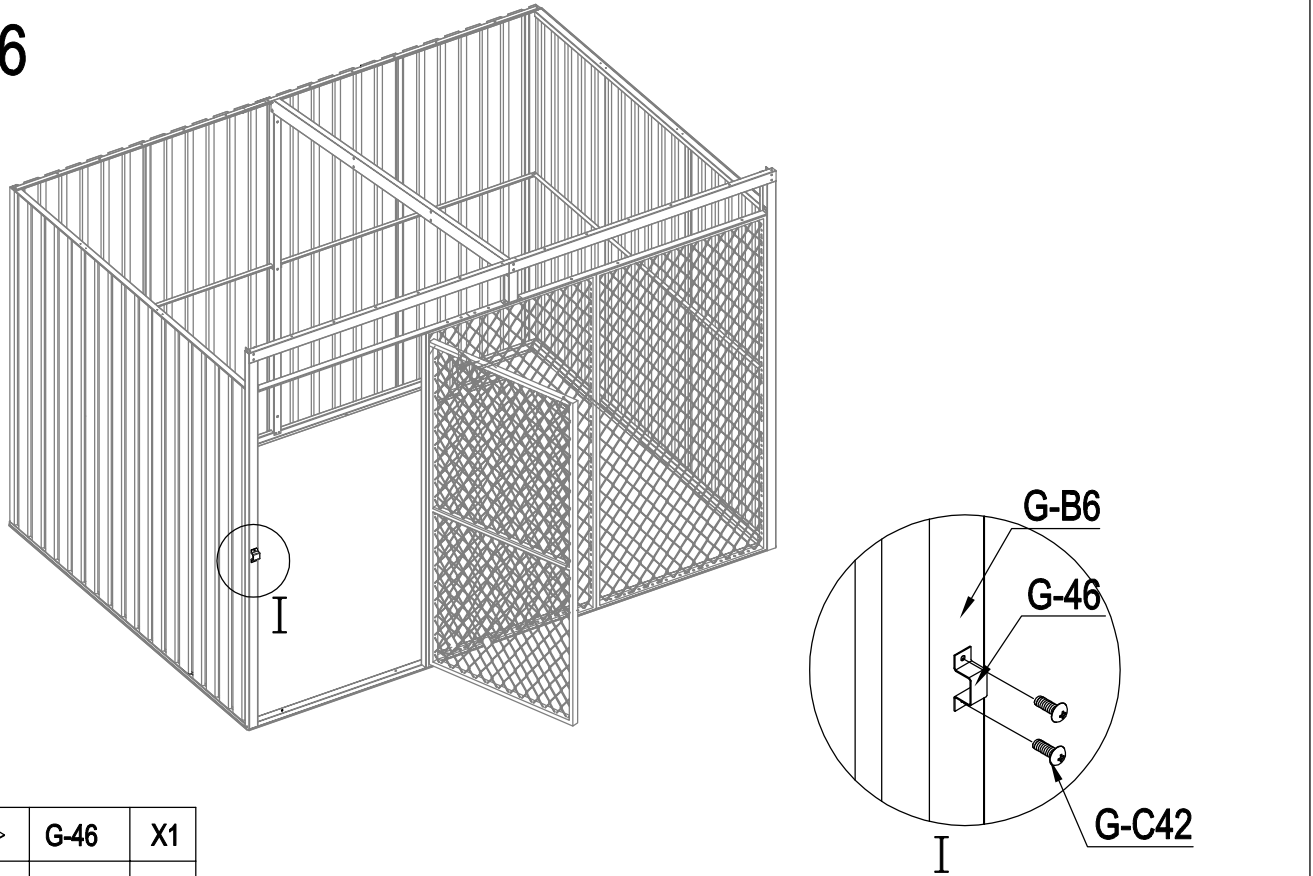


15



	G-C20	X1
	G-C42	X2
	G-C41	X2

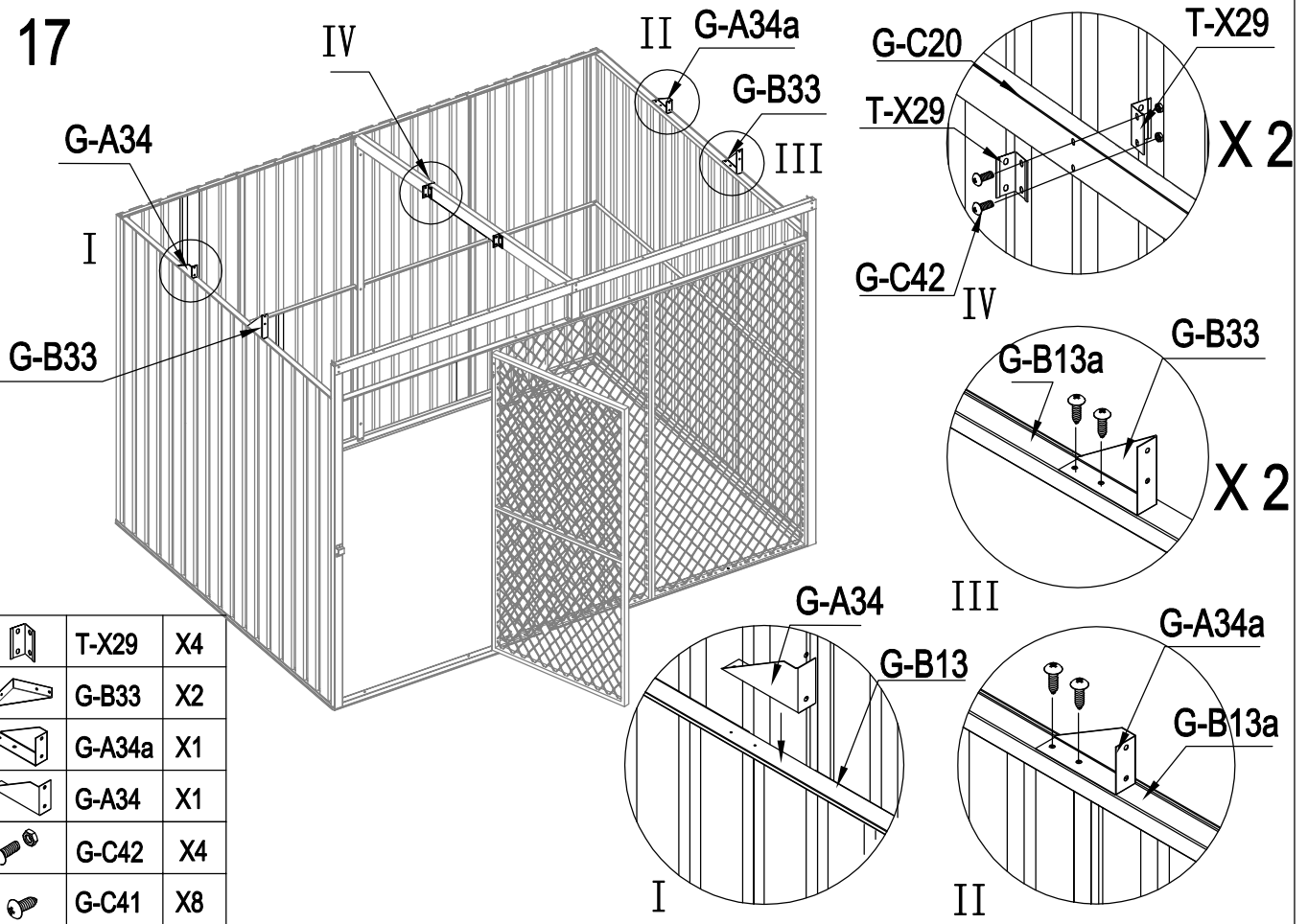
16



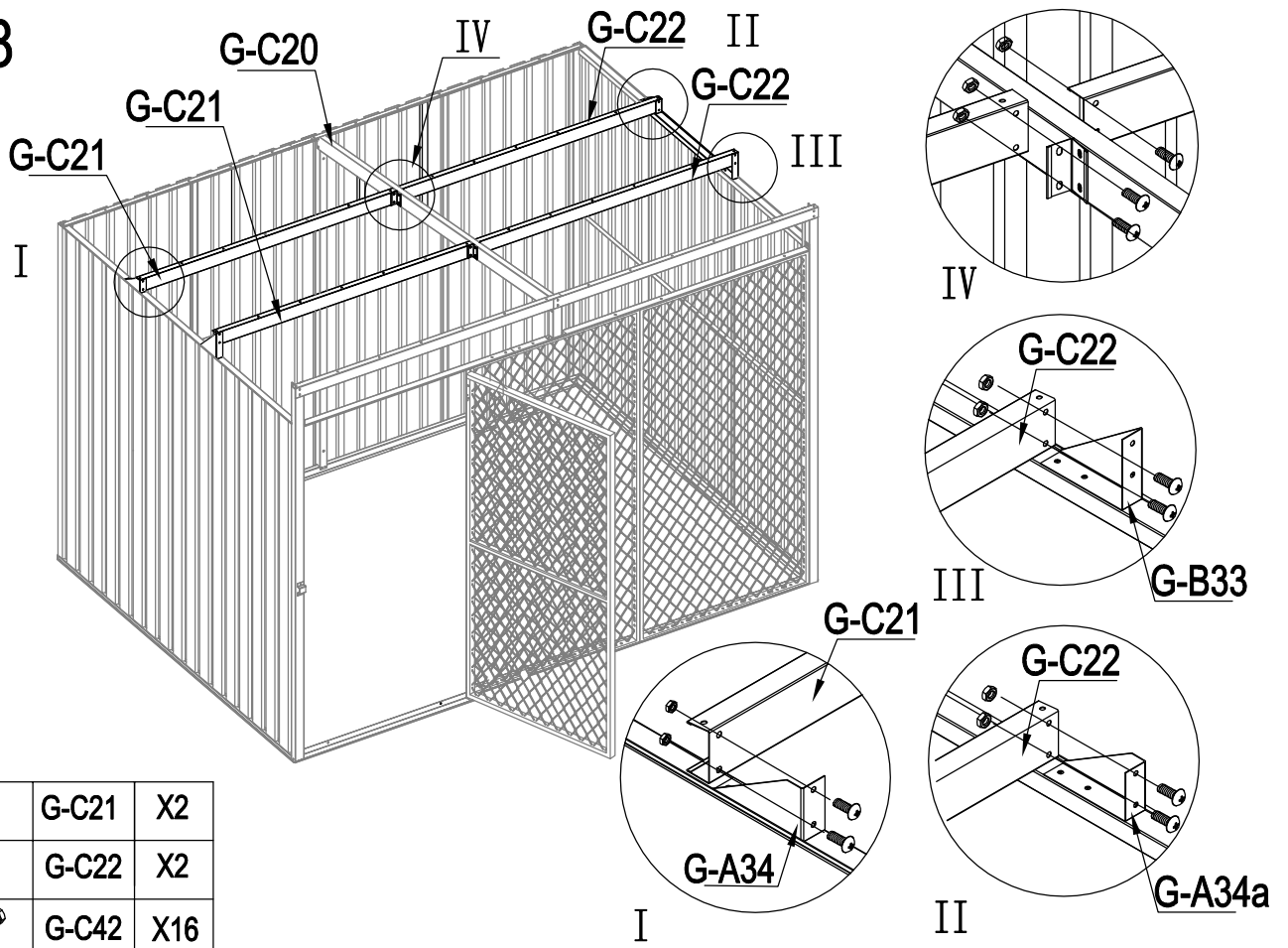
	G-46	X1
	G-C42	X2



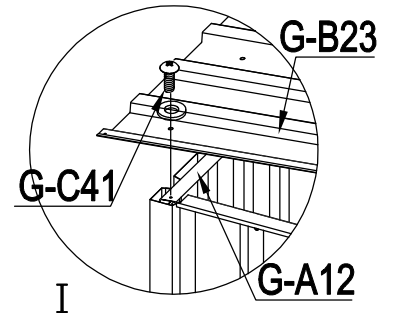
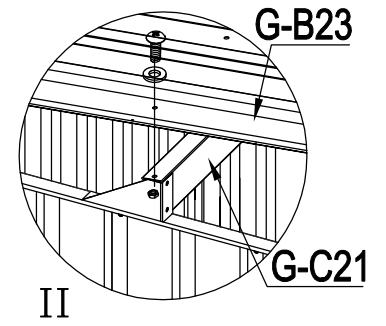
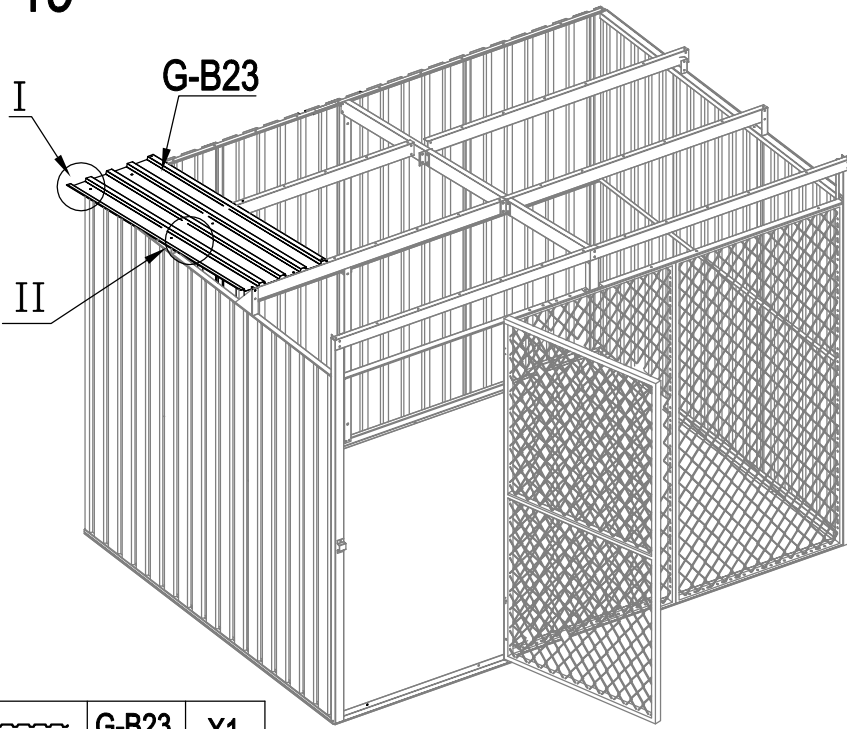
17



18

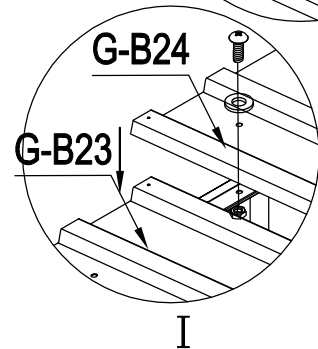
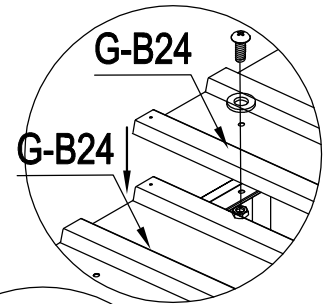
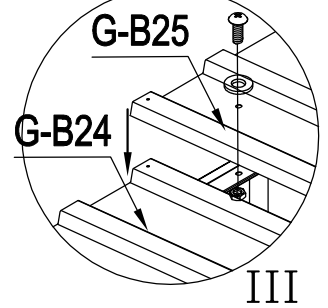
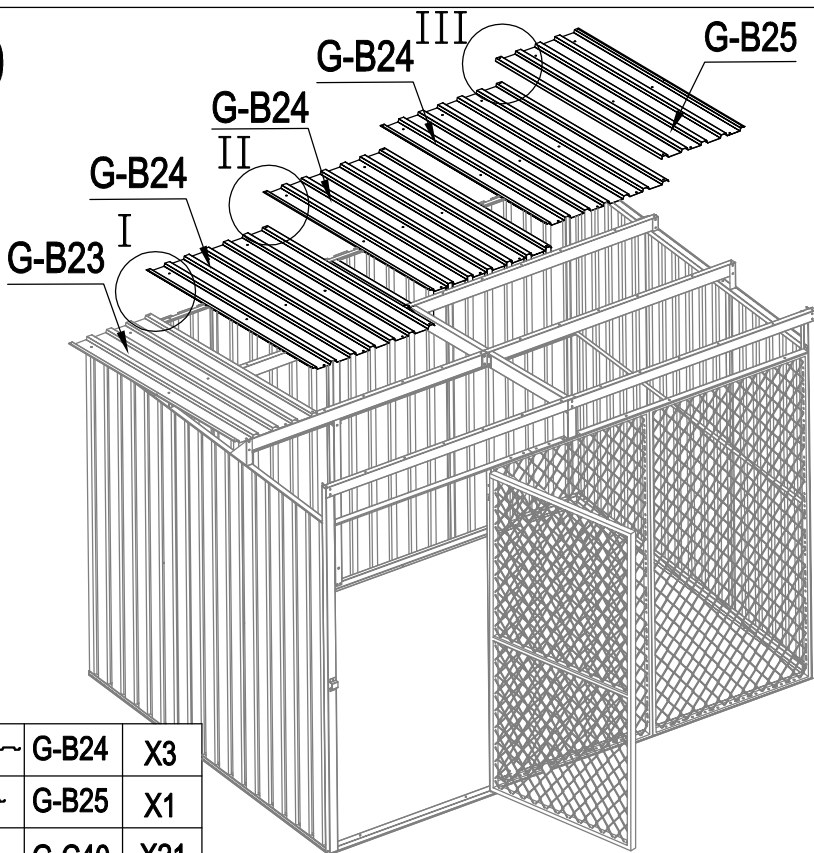


19



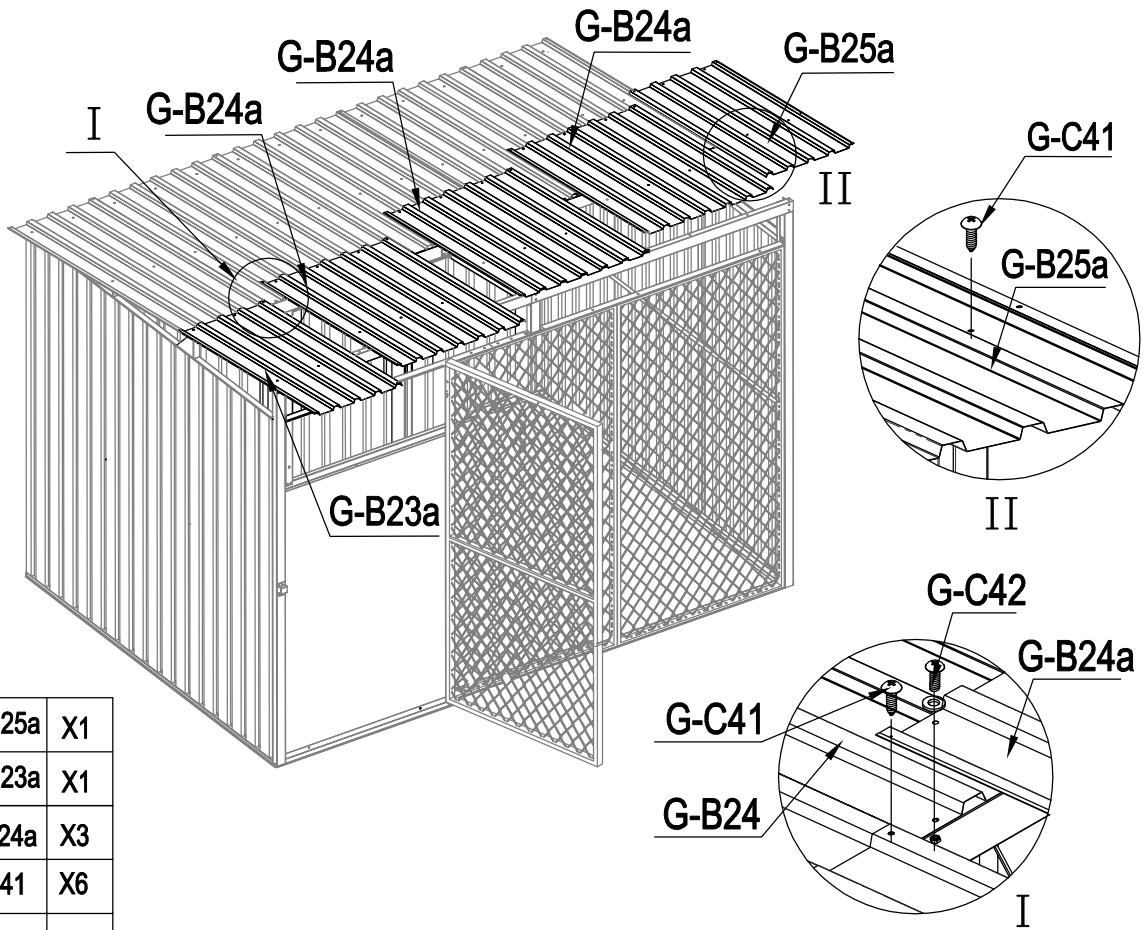
	G-B23	X1
	G-C40	X4
	G-C42	X3
	G-C41	X1

20



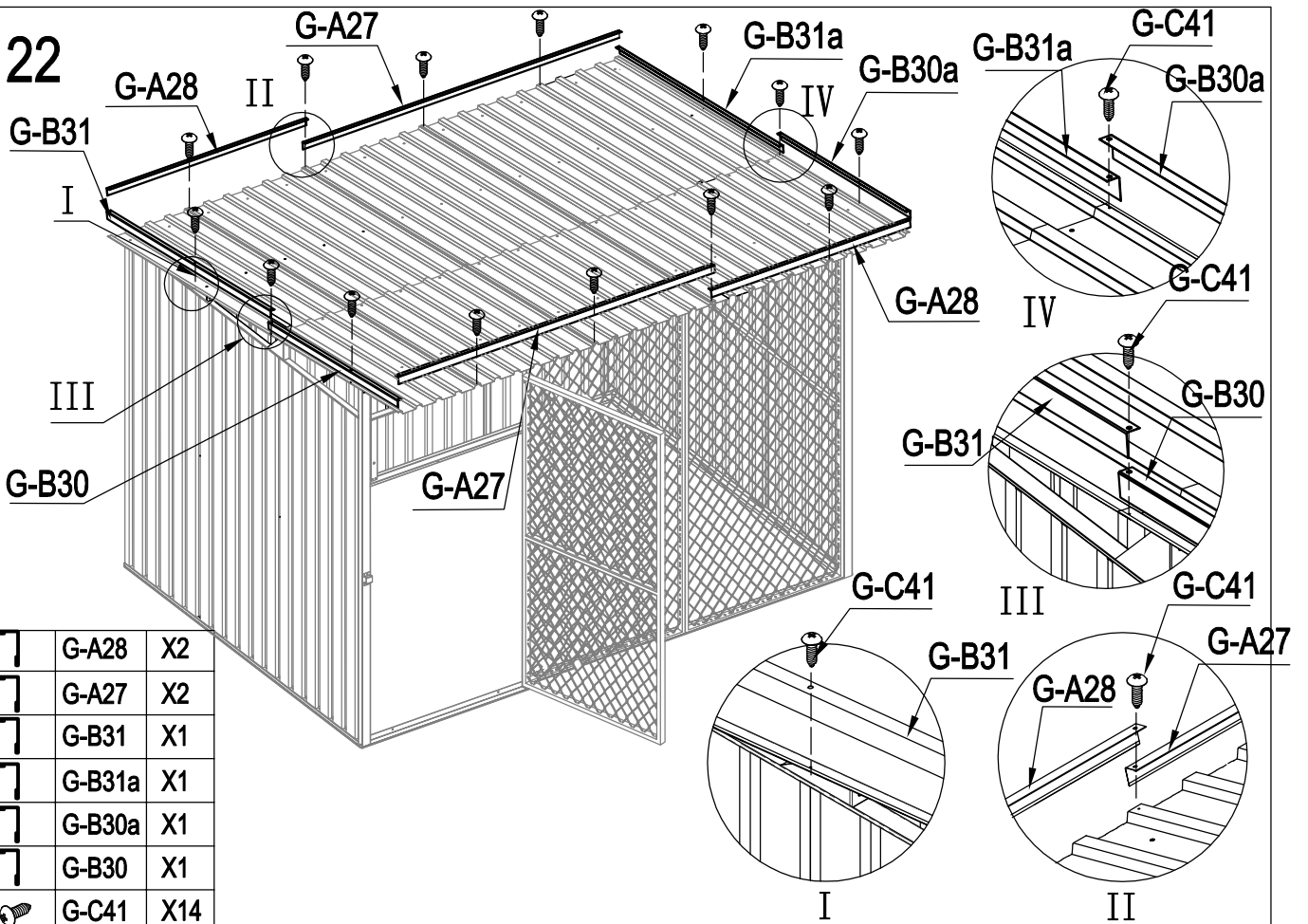
	G-B24	X3
	G-B25	X1
	G-C40	X21
	G-C41	X1
	G-C42	X21

21



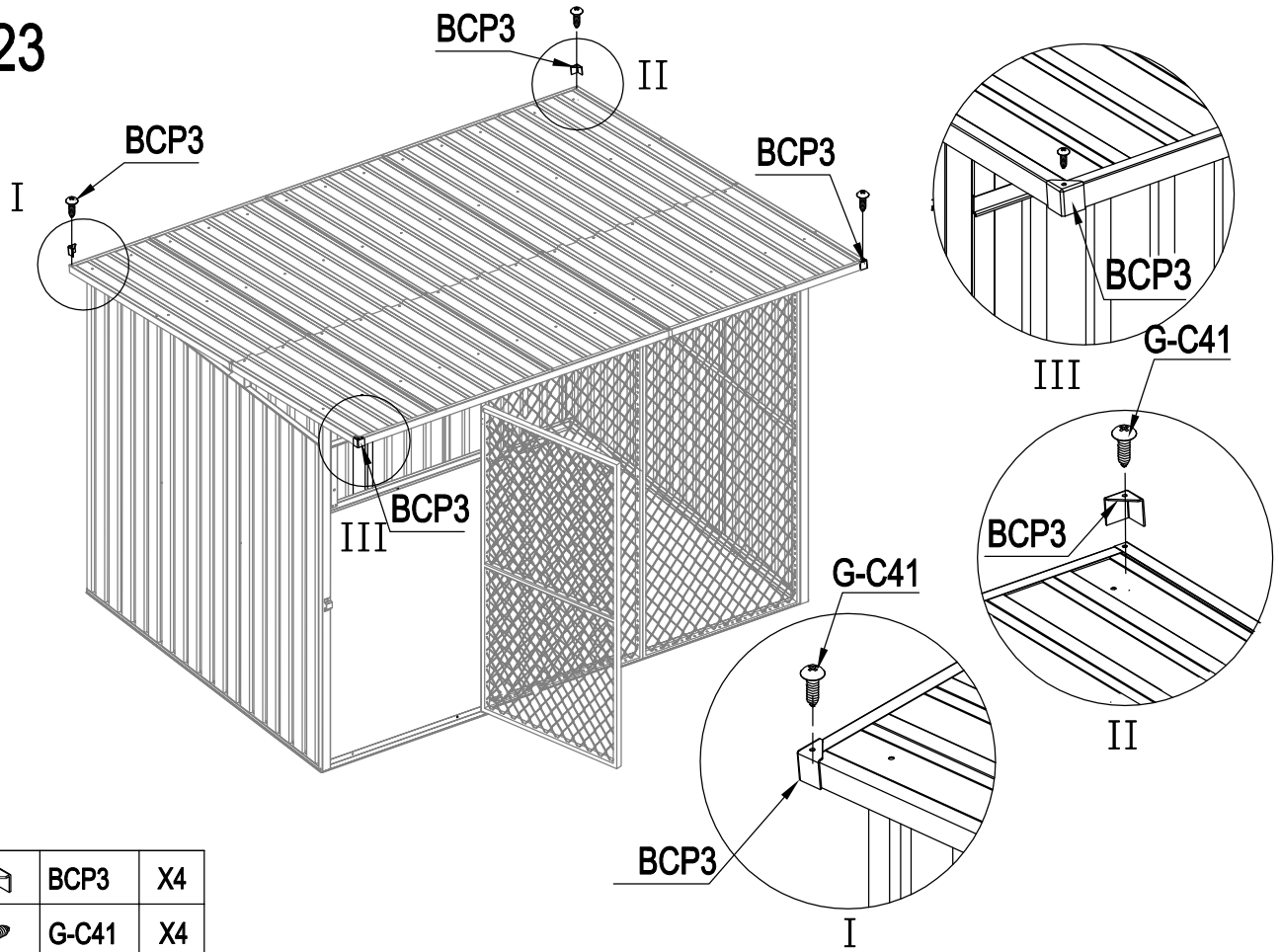
	G-B25a	X1
	G-B23a	X1
	G-B24a	X3
	G-C41	X6
	G-C42	X24



22



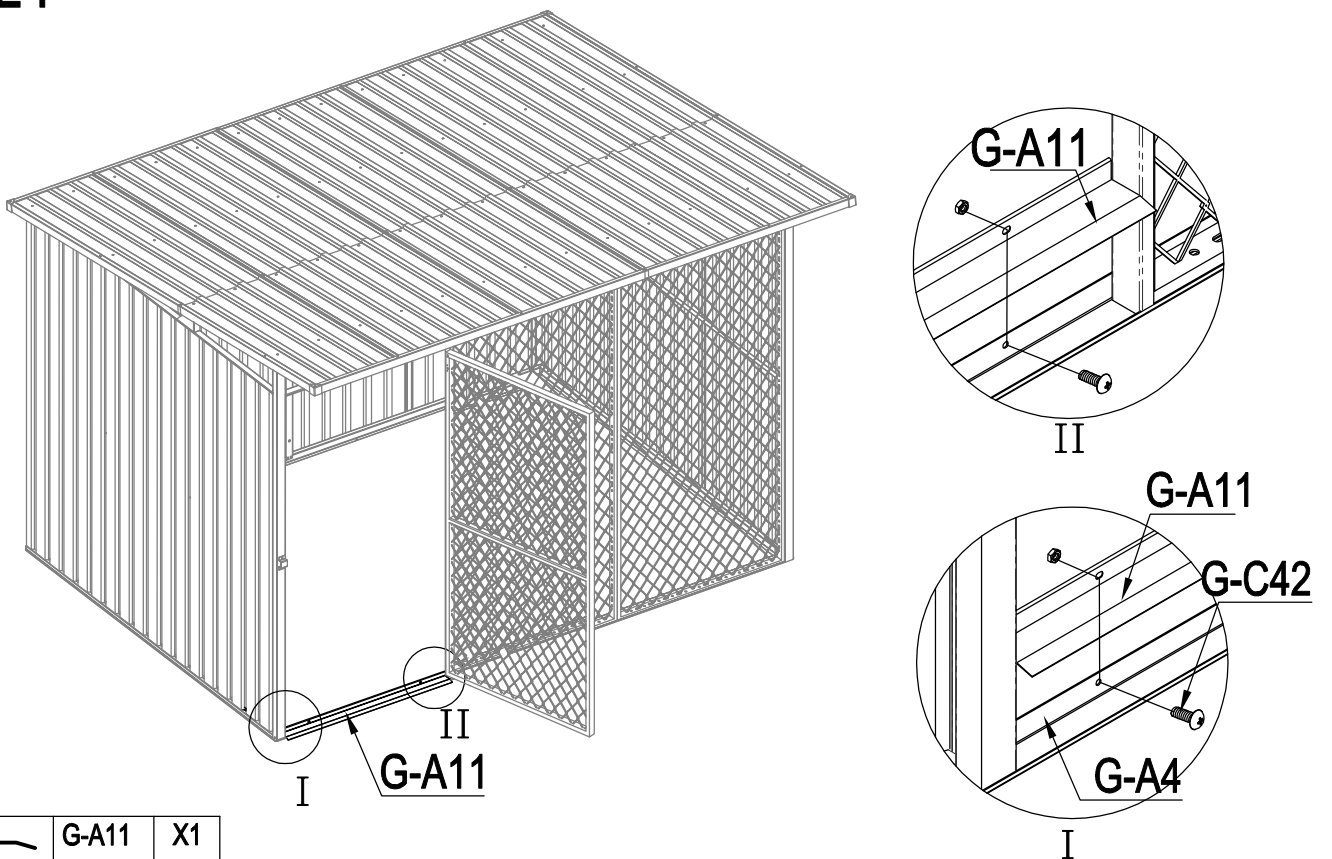
	G-A28	X2
	G-A27	X2
	G-B31	X1
	G-B31a	X1
	G-B30a	X1
	G-B30	X1
	G-C41	X14



23



	BCP3	X4
	G-C41	X4

24



	G-A11	X1
	G-C42	X2