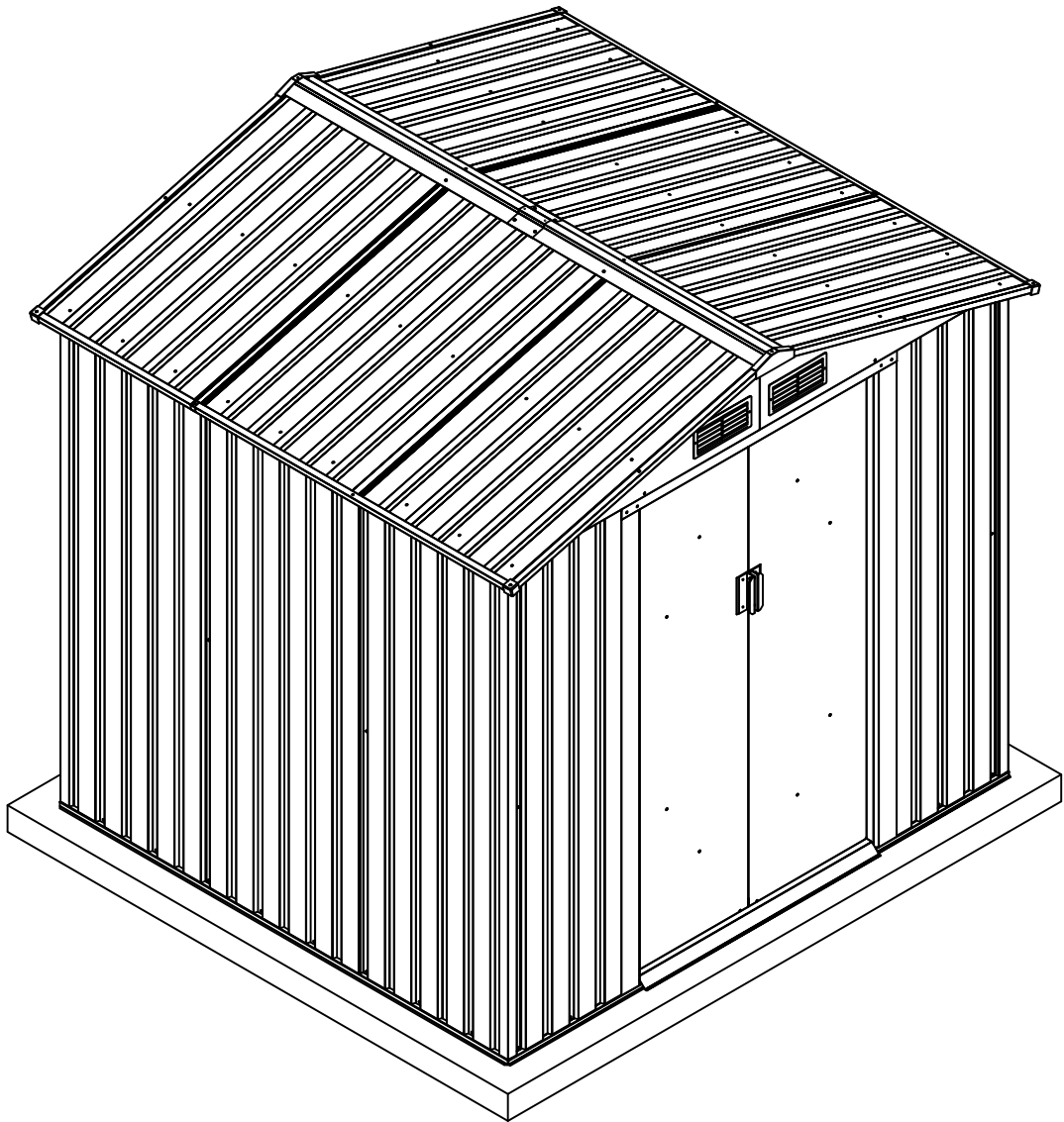


Metal Shed

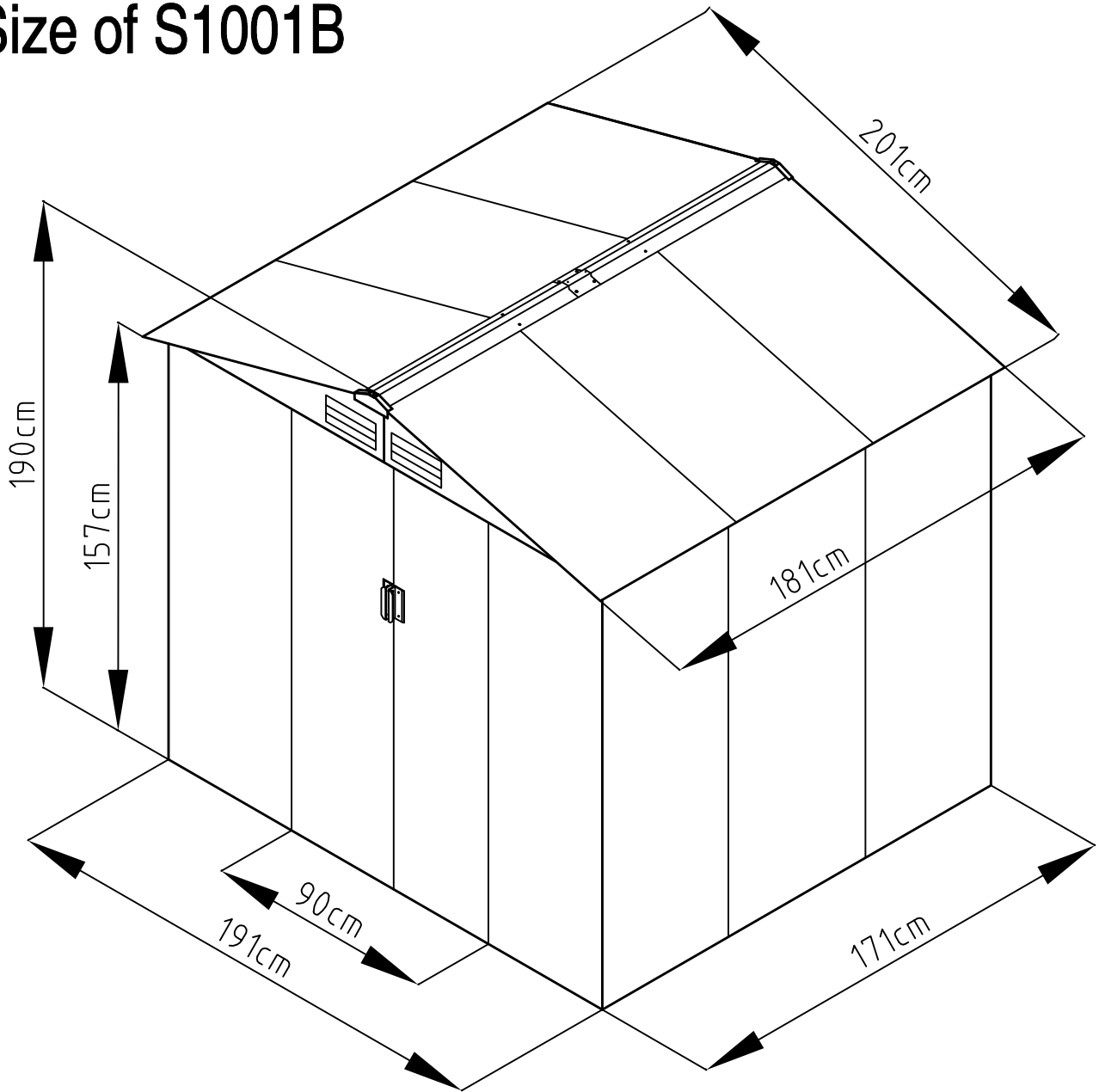
8/07/2017

OWNER'S MANUAL / Instructions for Assembly S1001B

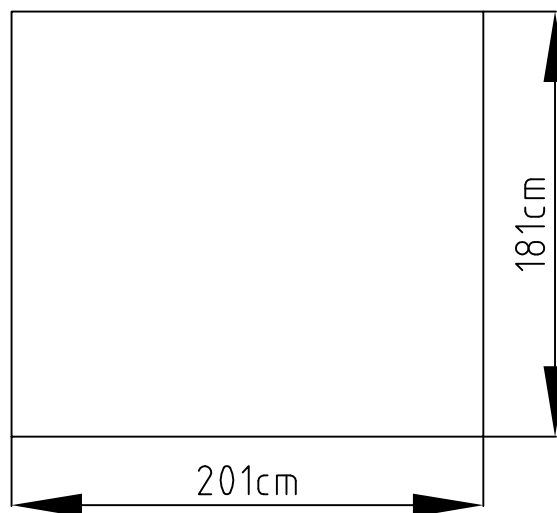


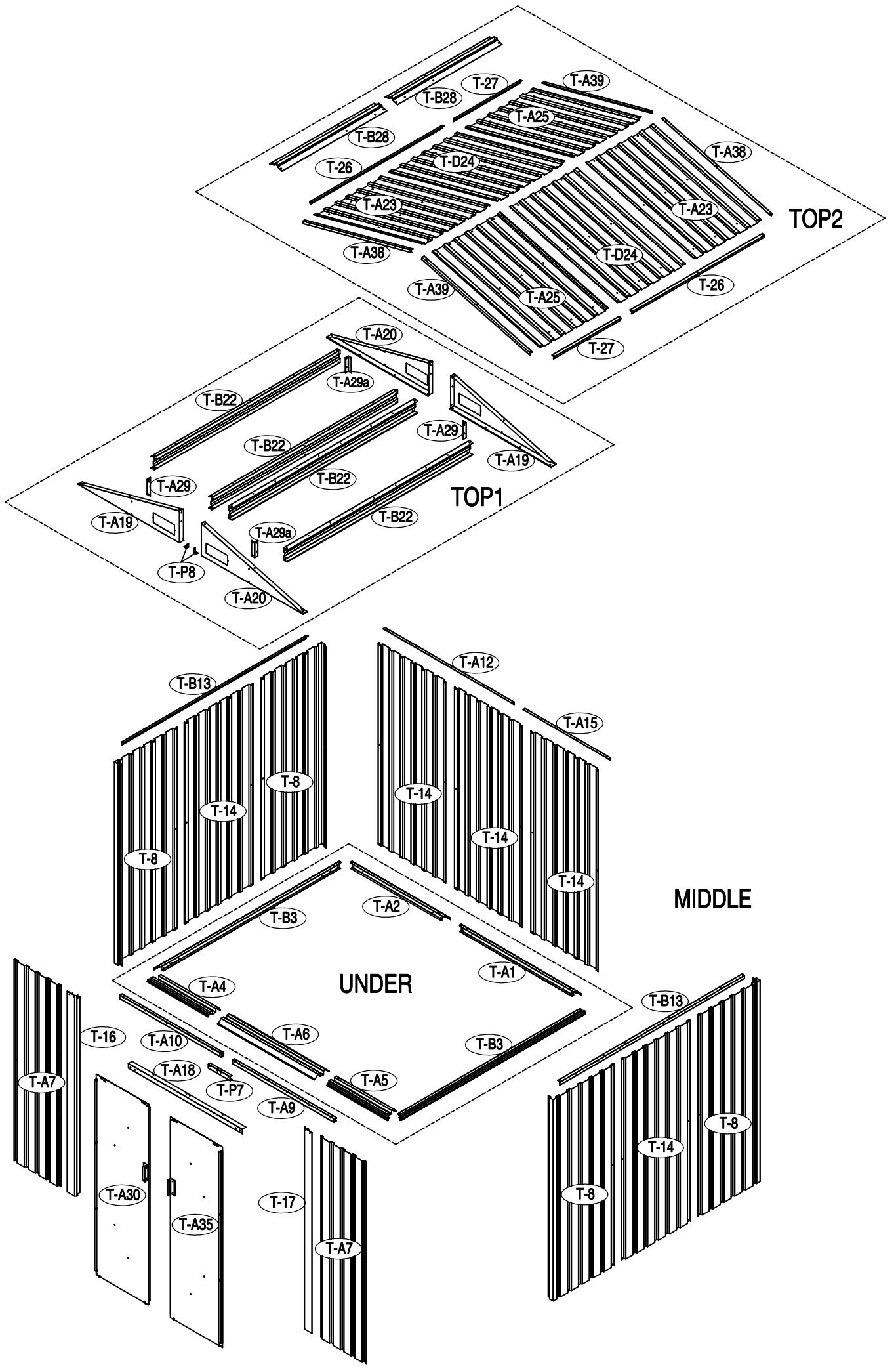
Requires two people and takes 2-3 hours for Installation.

Size of S1001B



Area of installation requirement:





NOTE:It is important that these instructions are followed step by step.

Metal Shed must be installed on a level wooden platform or a level concrete foundation

Wooden platform is extra and is not included.
Don't install under windy conditions.

We recommend to clear your metal shed of snow after each snowfall.

Wooden Platform

The following are a list of lumber and sizes you will need.

Pressure Treated-Wood Studs:

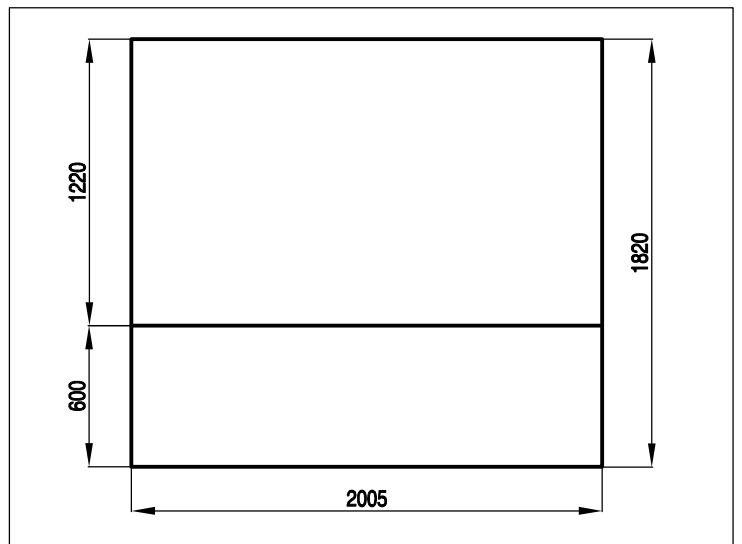
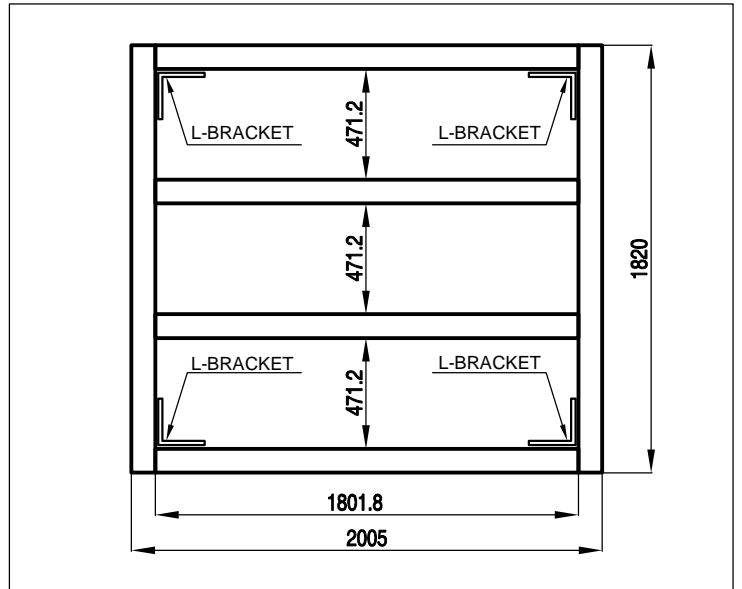
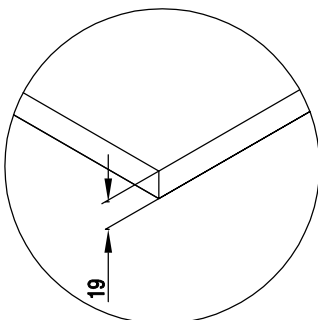
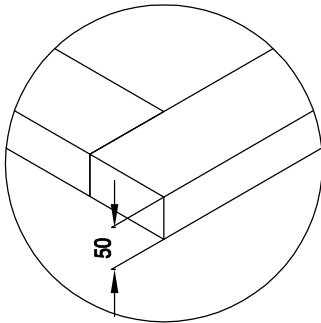
50mmX101.6mmX1820mm.....(2)

50mmX101.6mmX1801.8mm.....(4)

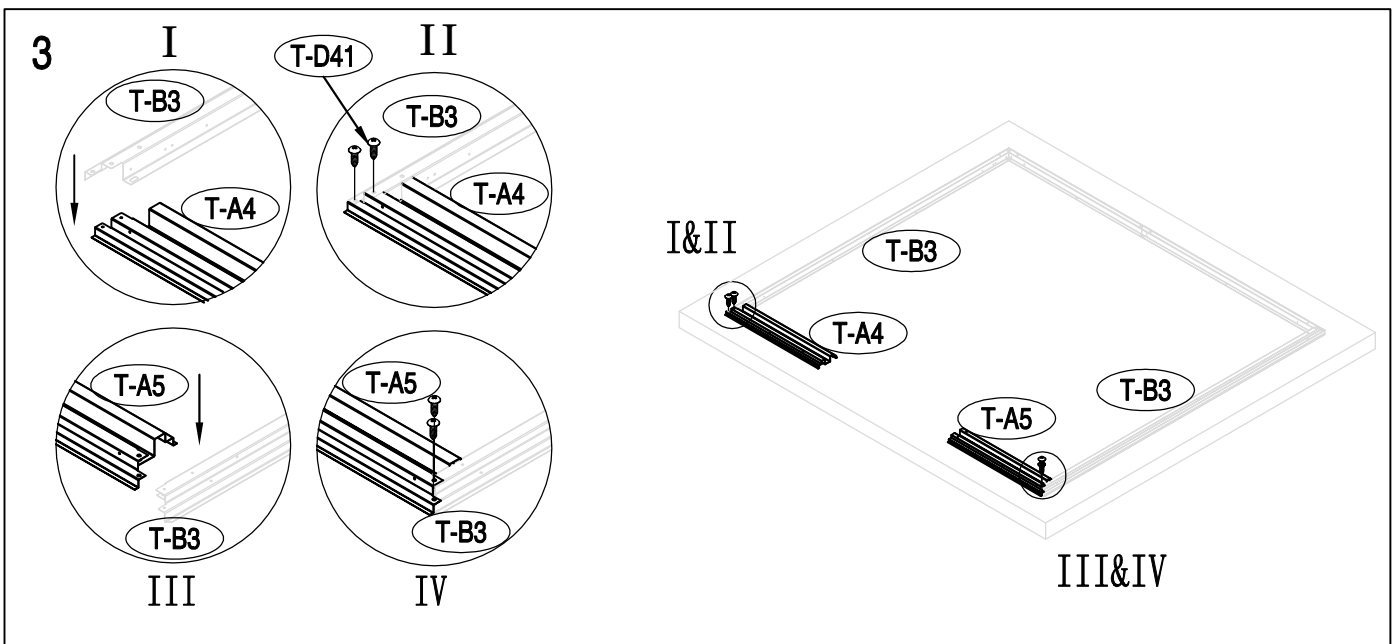
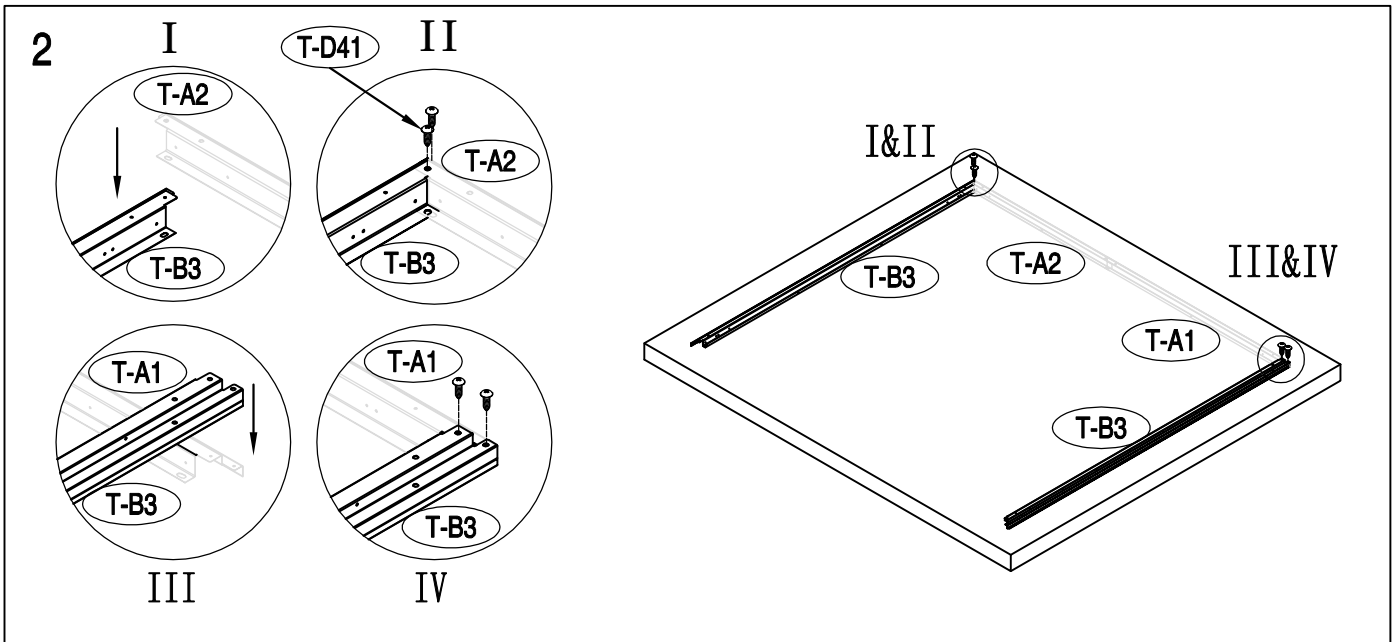
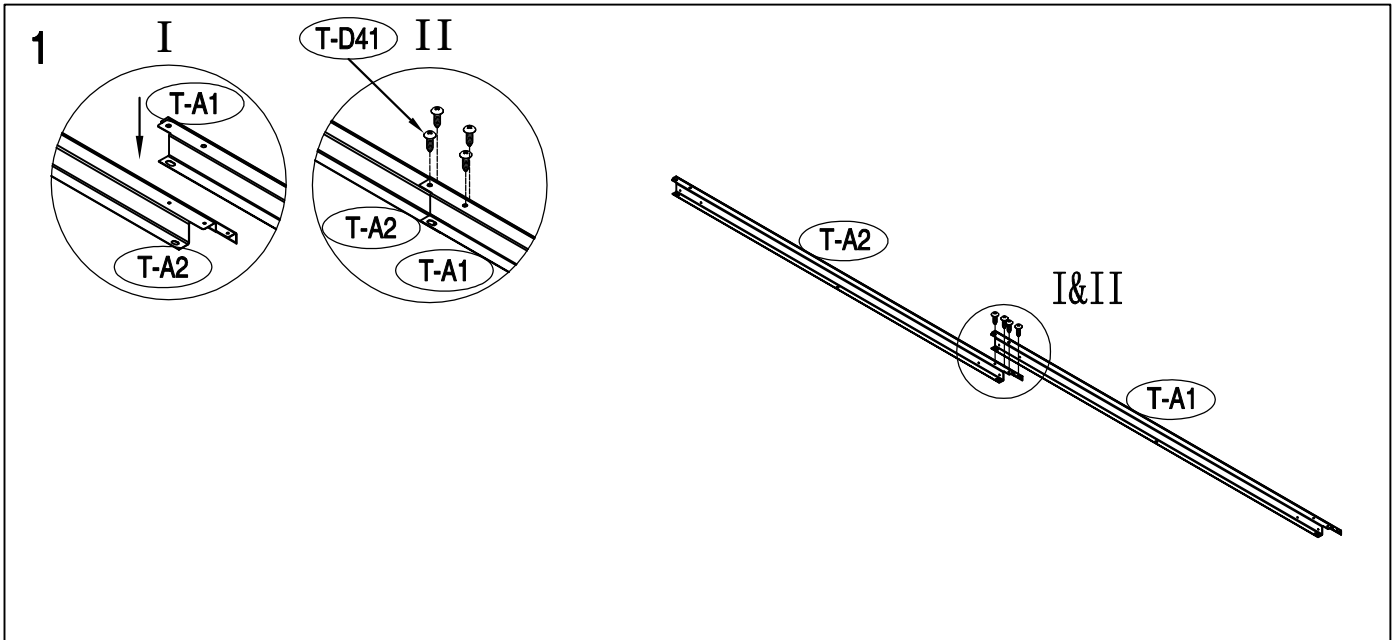
Exterior Grade (CDX-19mm) plywood

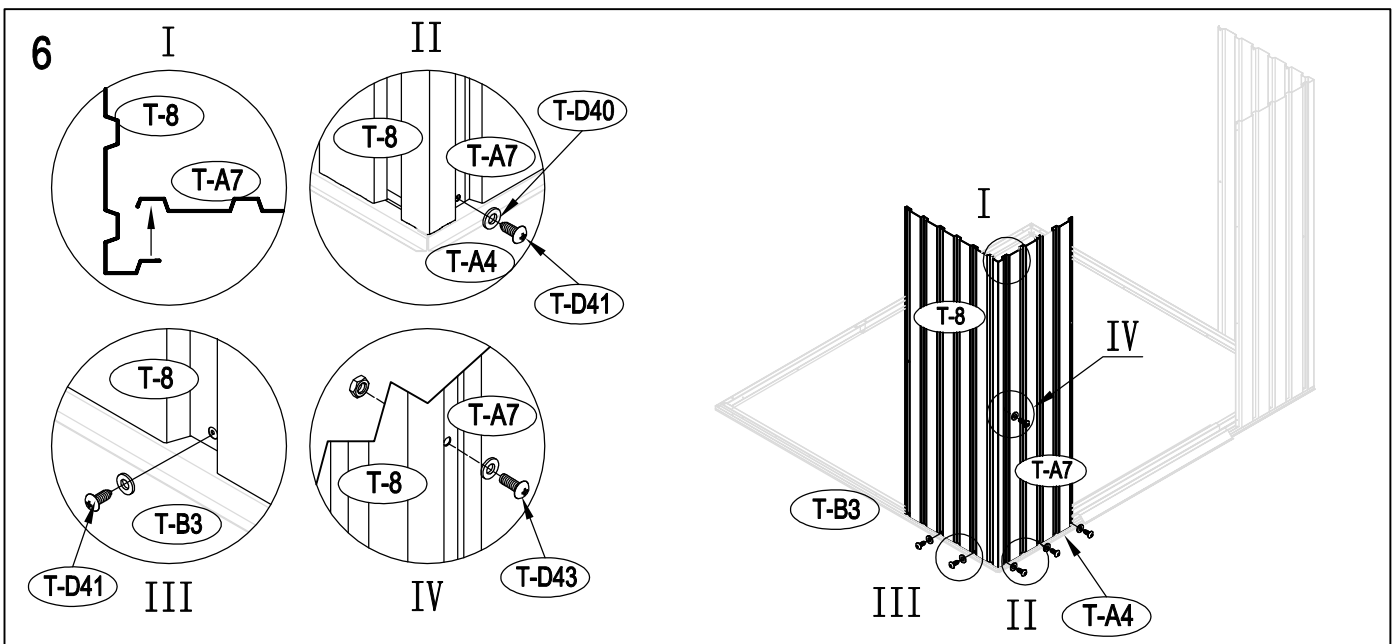
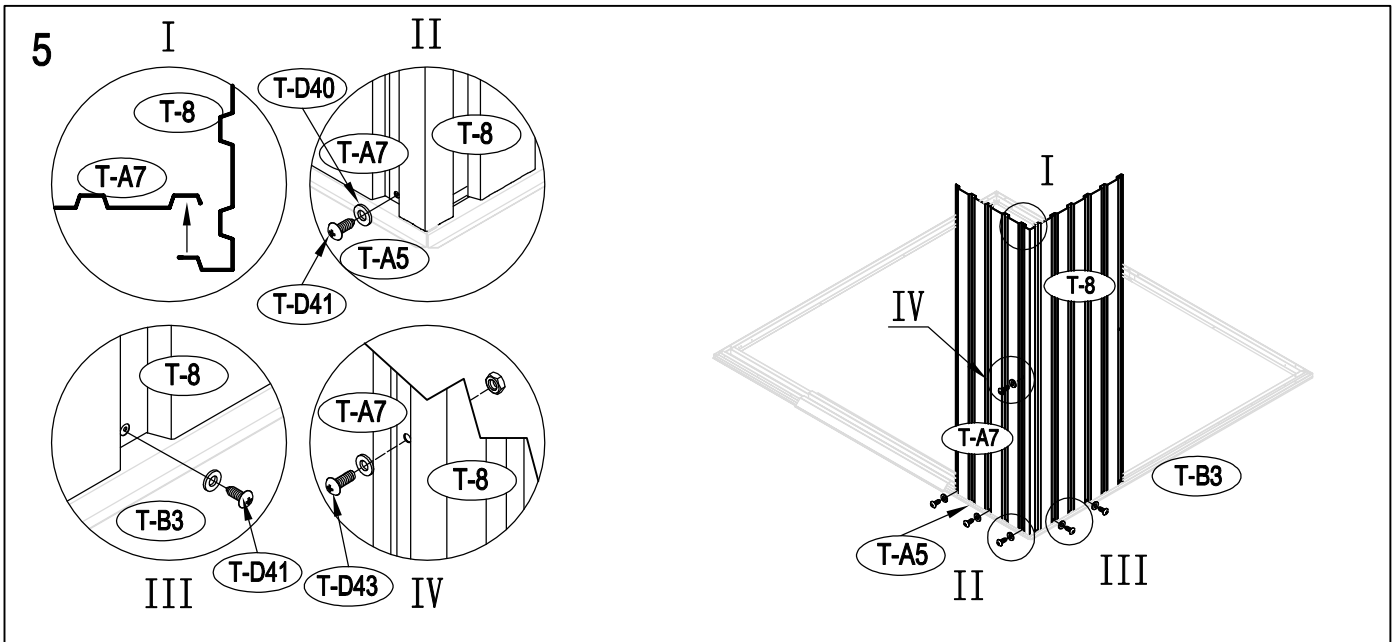
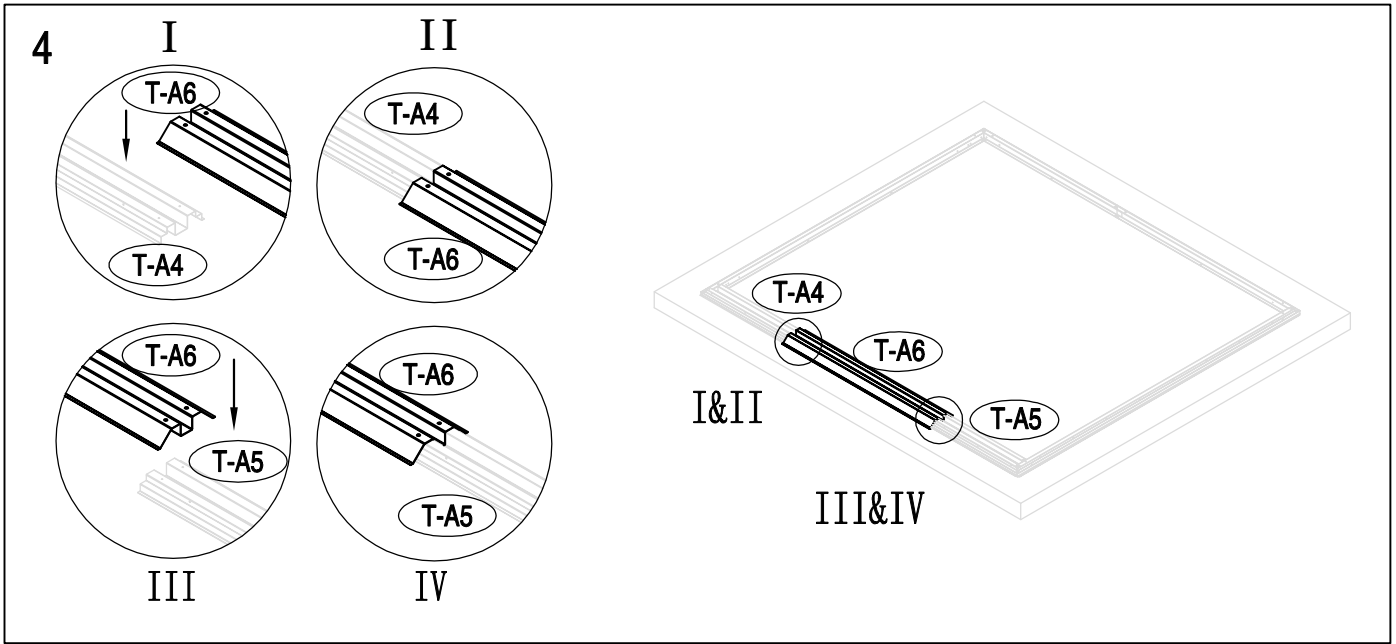
19mmX1220mmX2005mm.....(1)

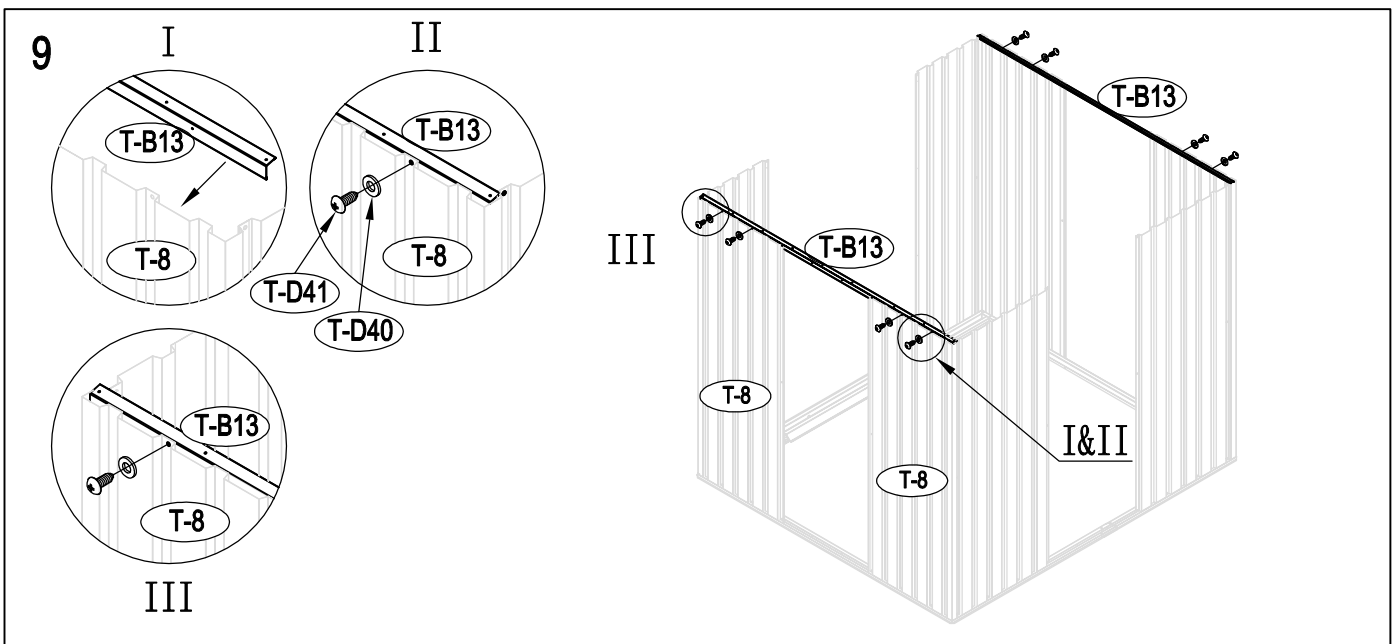
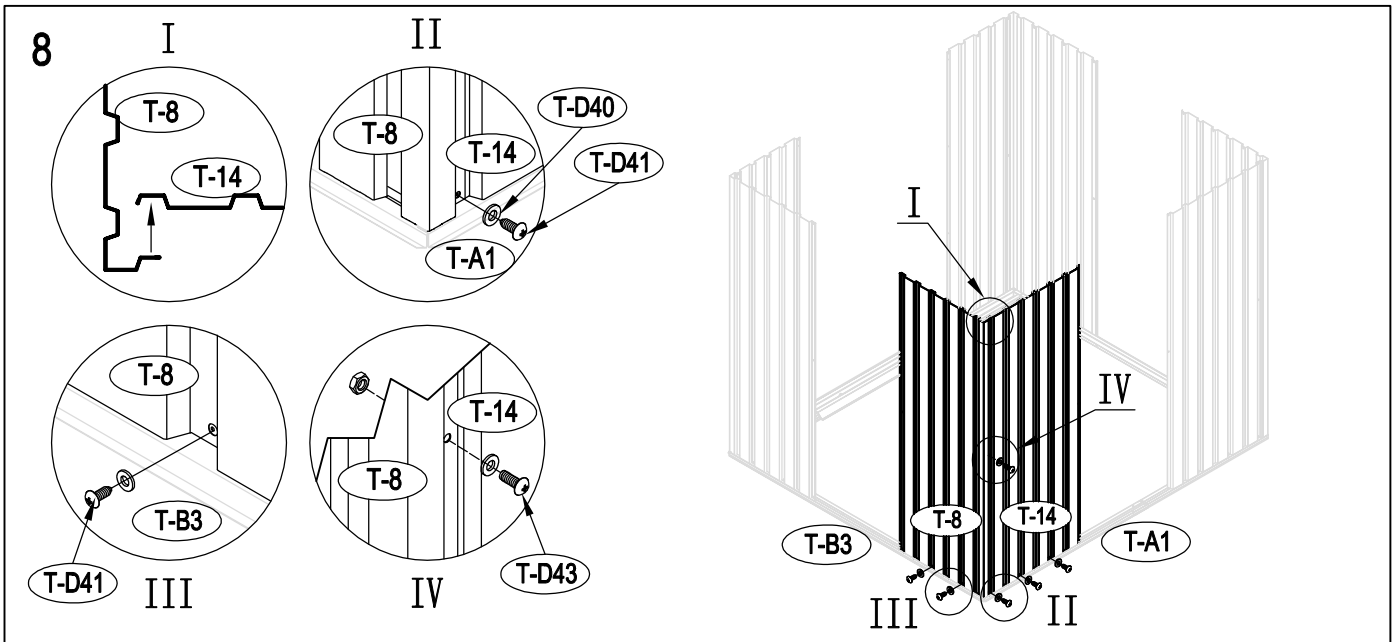
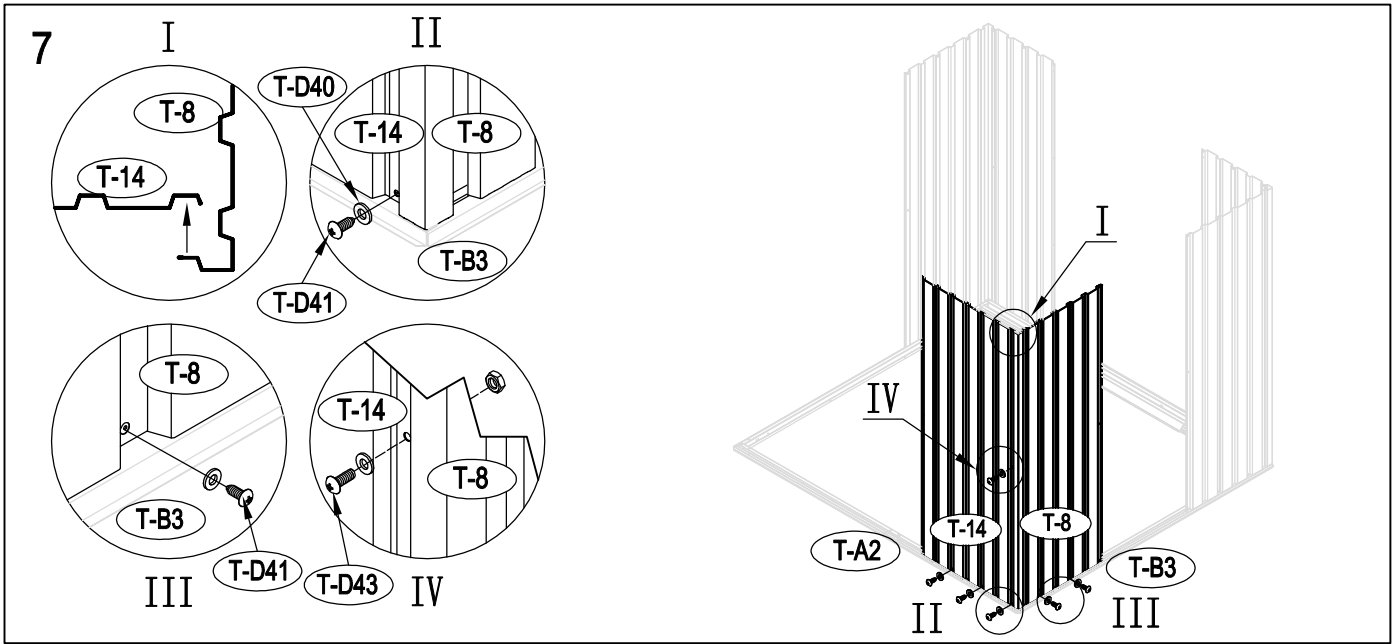
19mmX600mmX2005mm.....(1)



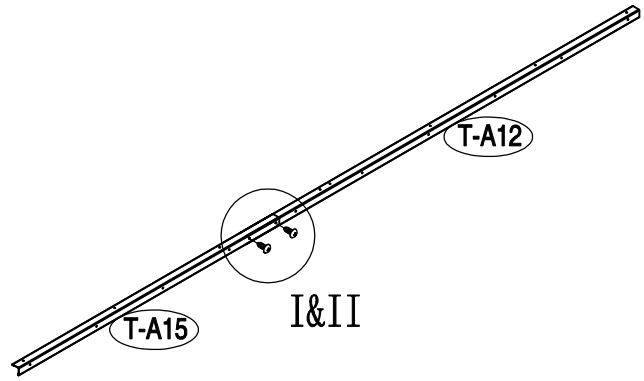
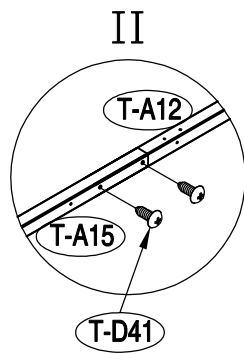
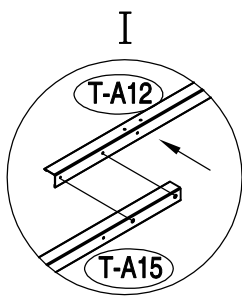
Important: Use hand gloves to prevent injury.



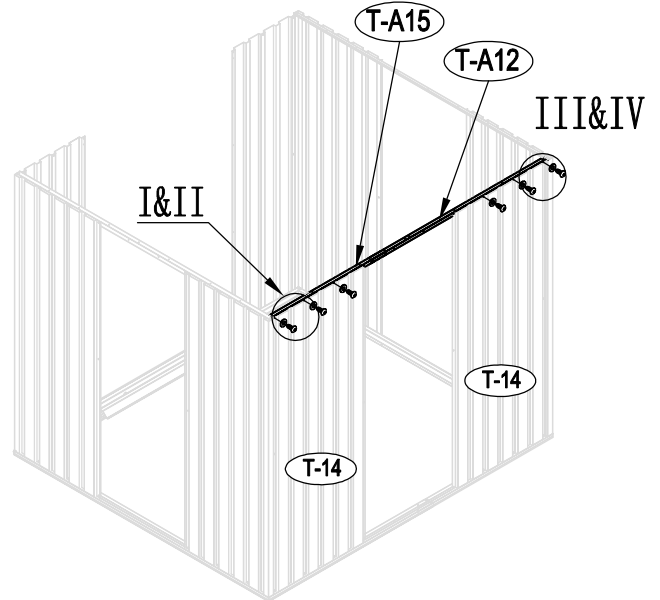
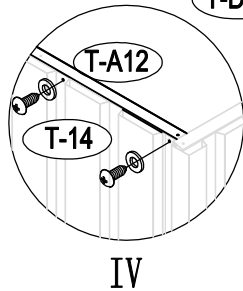
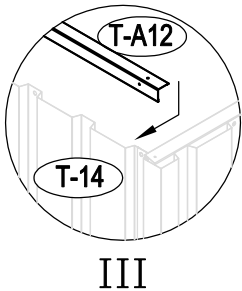
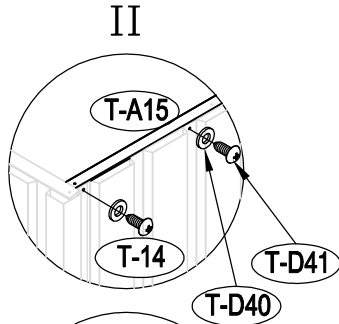
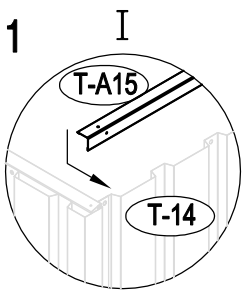




10



11



12

