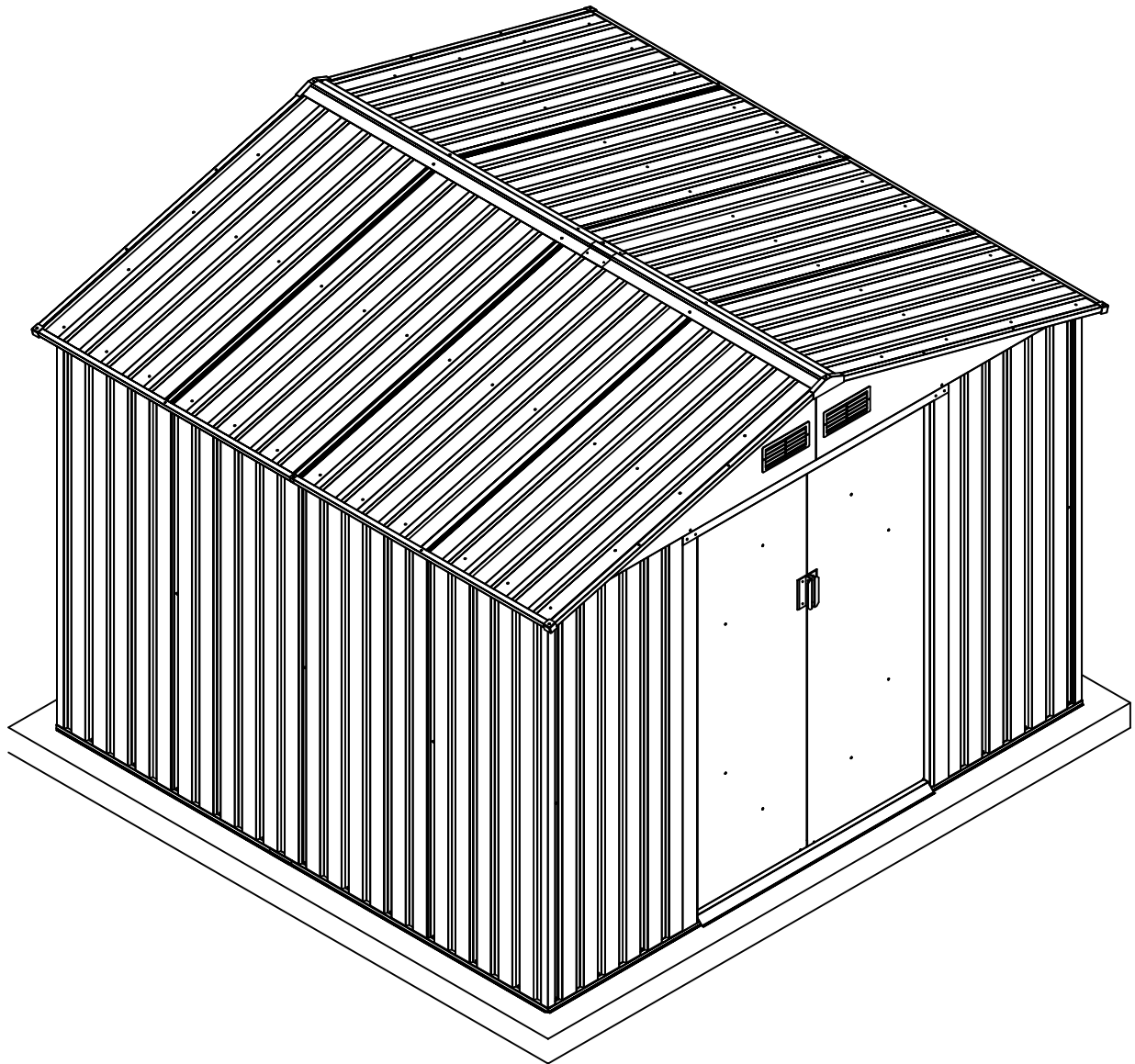


# Metal Shed

8/07/2017

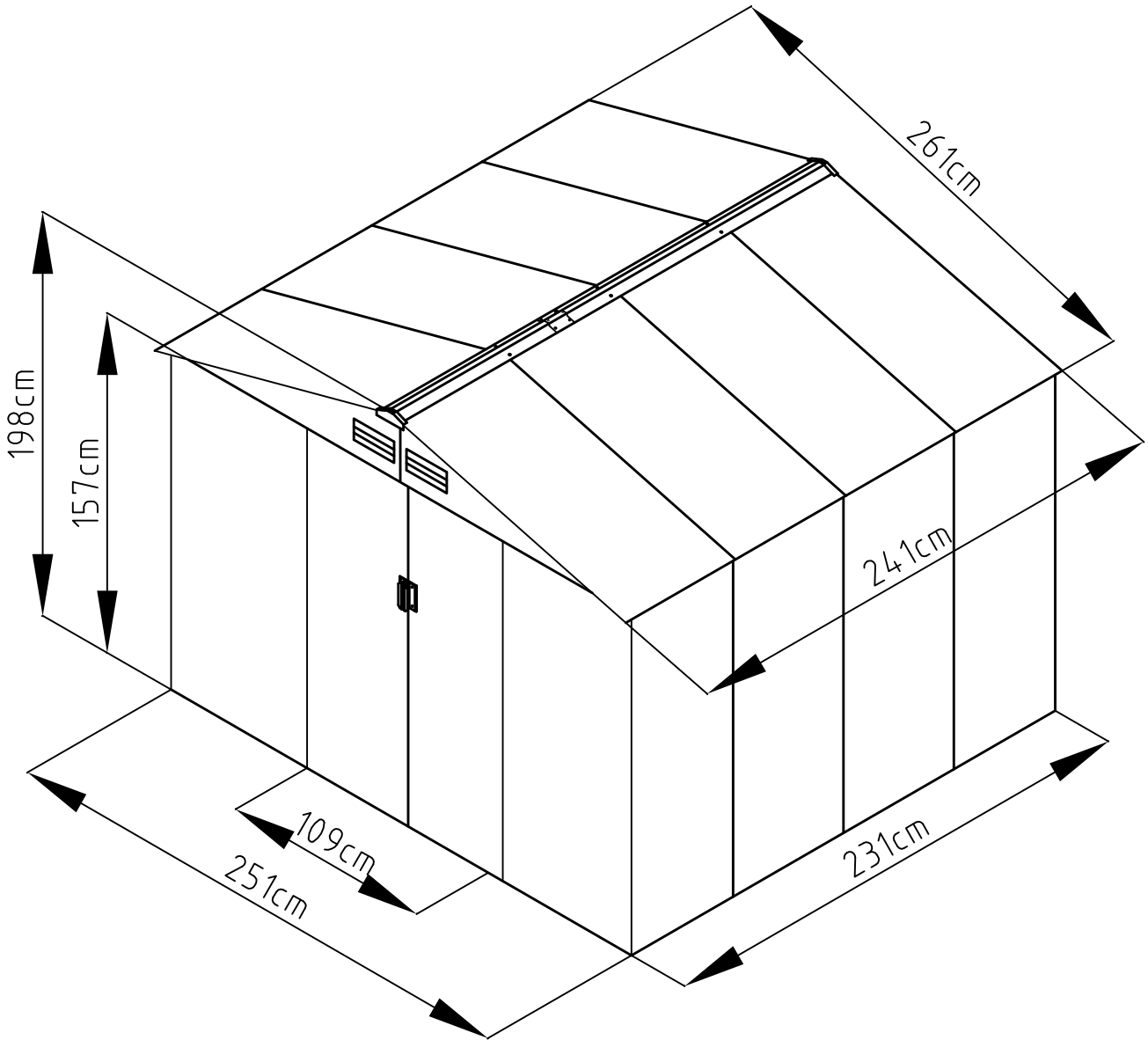
## OWNER'S MANUAL / Instructions for Assembly S1001D



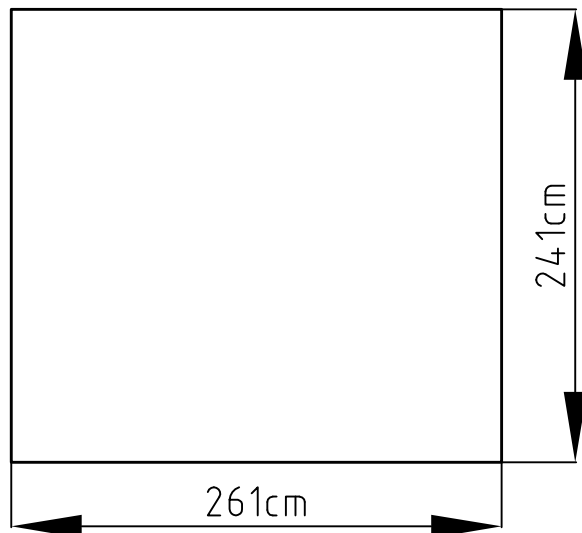
---

Requires two people and takes 2-3 hours for Installation.

# Size of S1001D



Area of installation requirement:







**NOTE:**It is important that these instructions are followed step by step.

**Metal Shed must be installed on a level wooden platform or a level concrete foundation**

Wooden platform is extra and is not included.  
Don't install under windy conditions.

We recommend to clear your metal shed of snow after each snowfall.

**Wooden Platform**

The following are a list of lumber and sizes you will need.

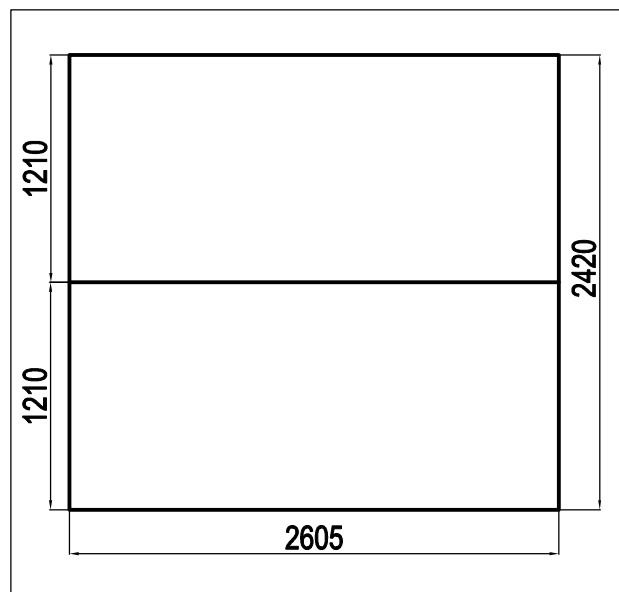
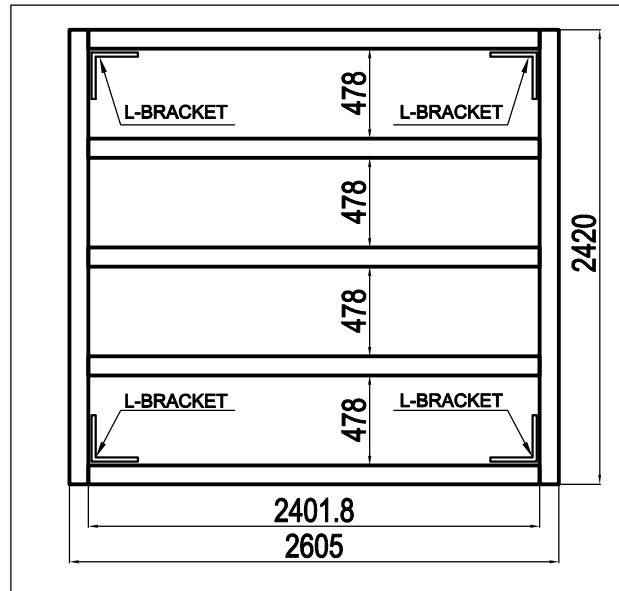
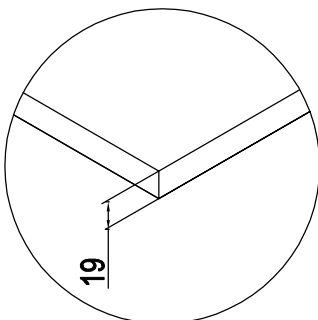
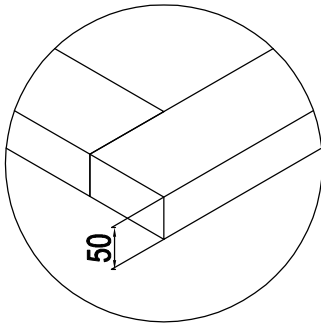
**Pressure Treated-Wood Studs:**

50mmX101.6mmX2420mm.....(2)

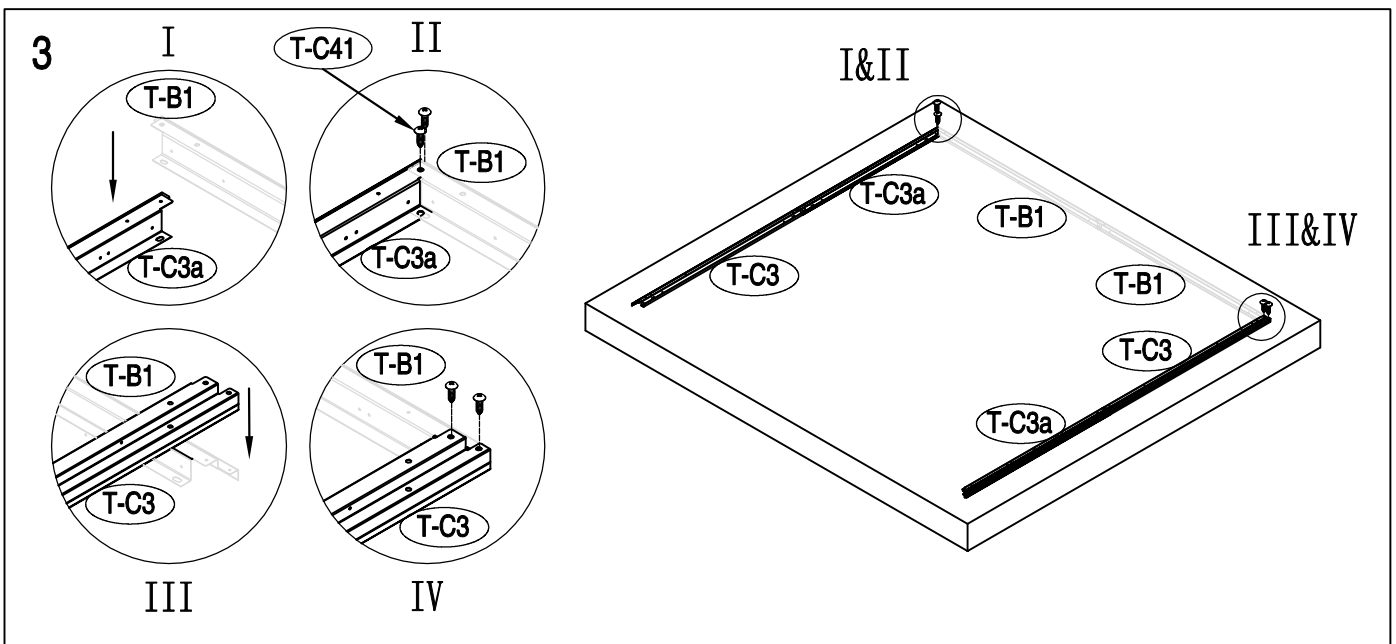
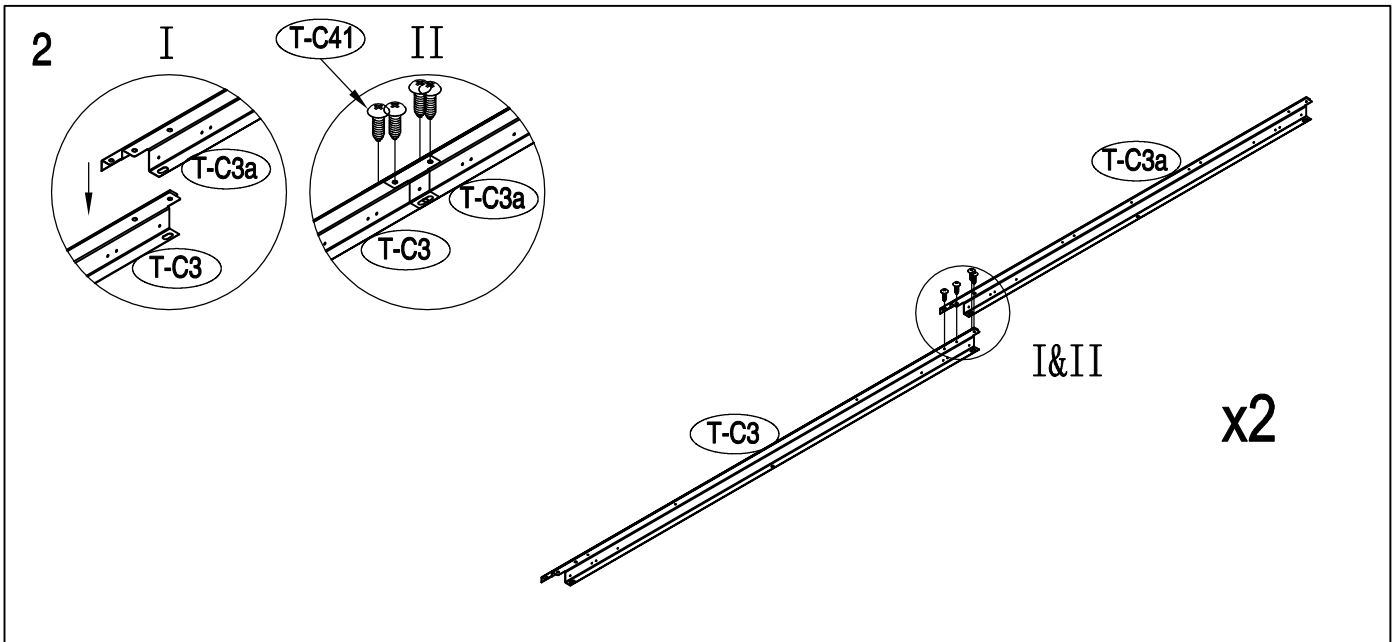
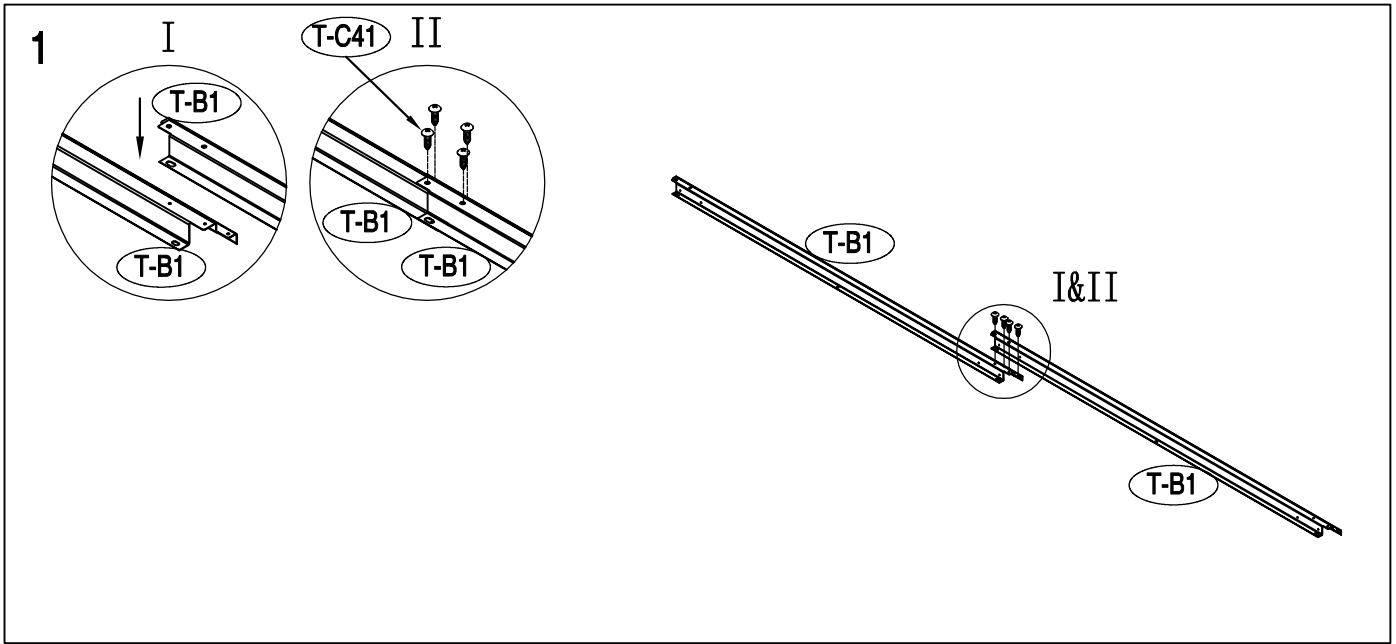
50mmX101.6mmX2401.8mm.....(5)

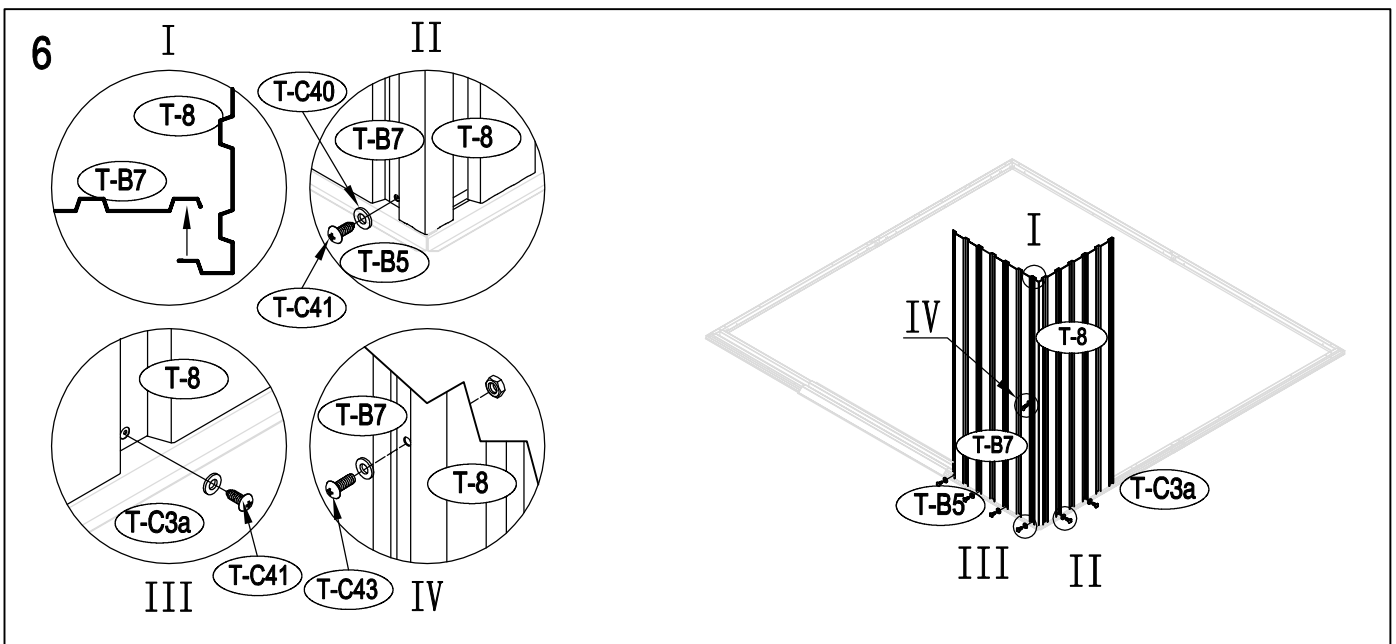
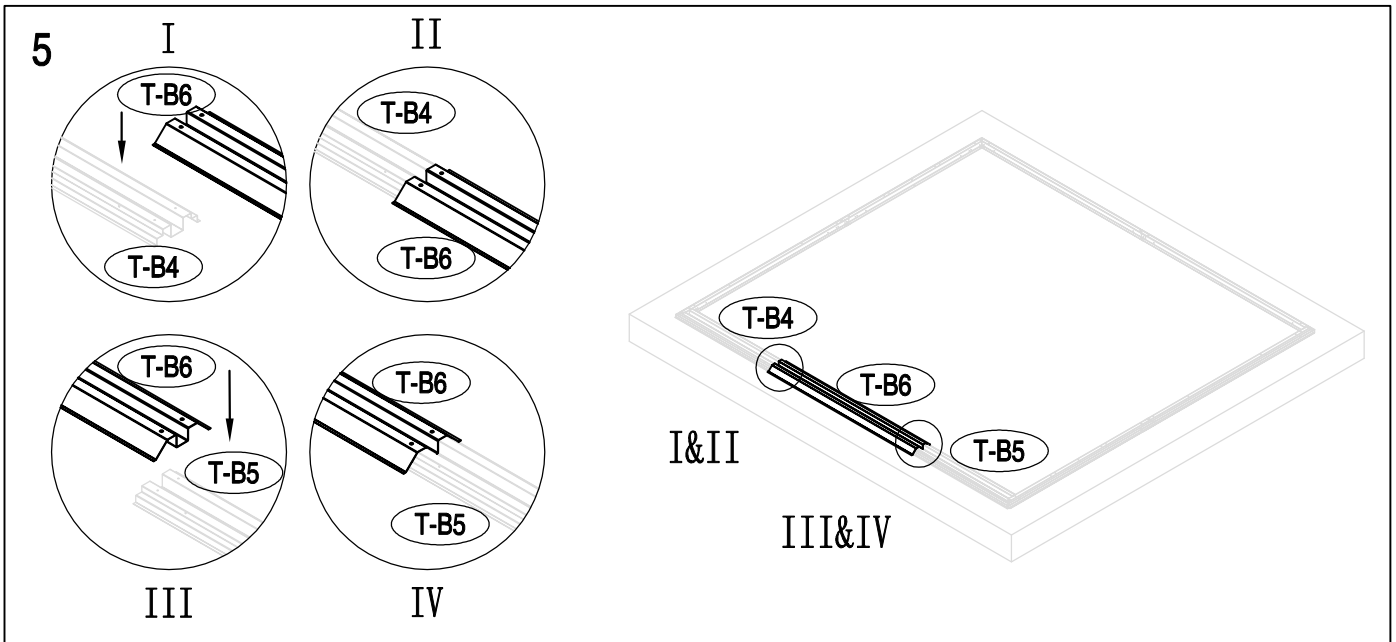
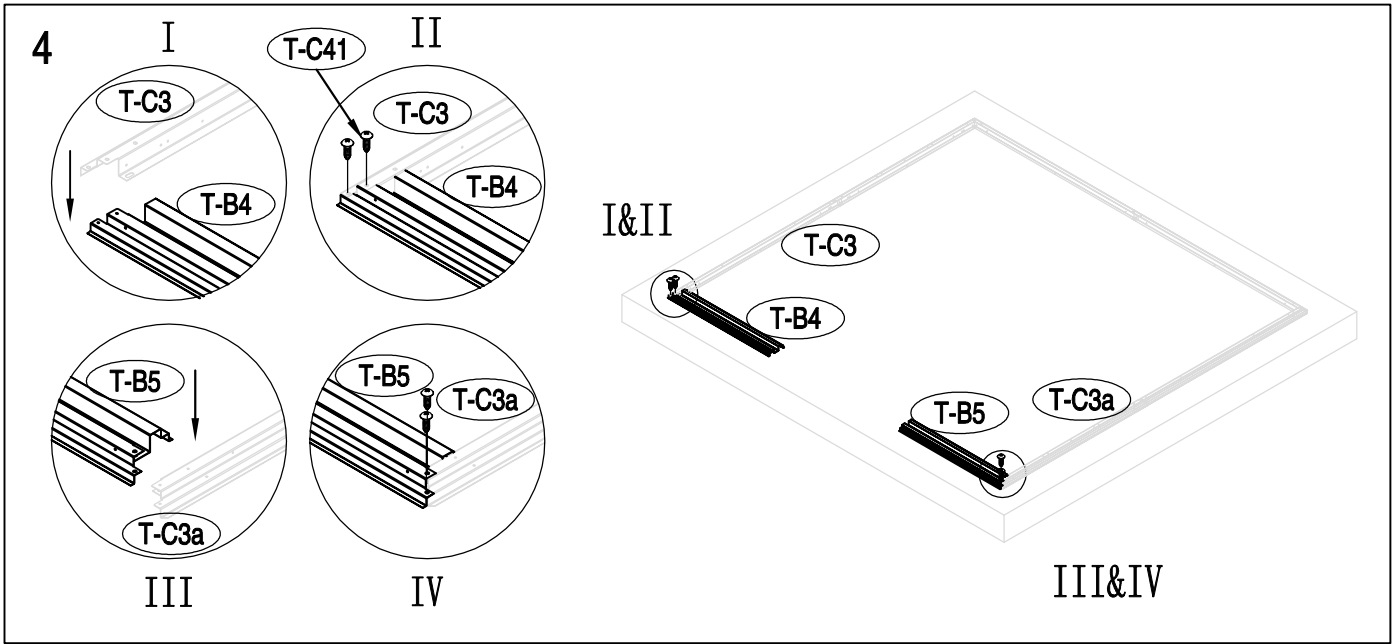
**Exterior Grade (CDX-19mm) plywood**

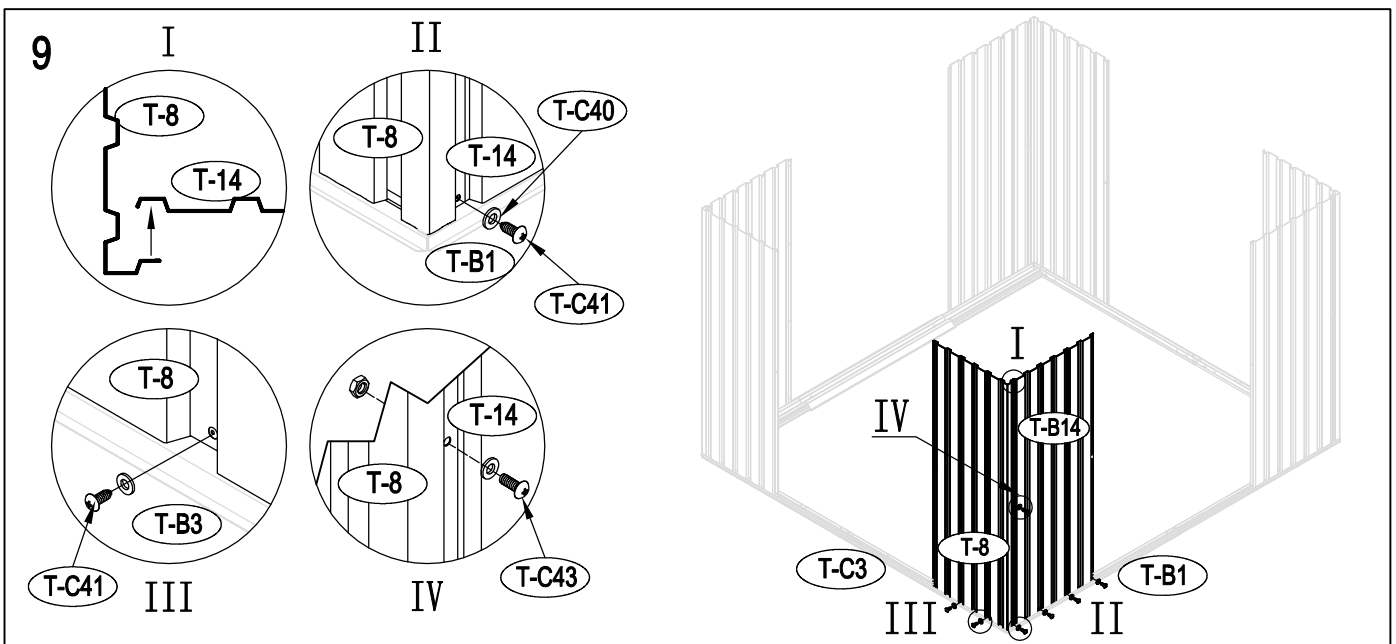
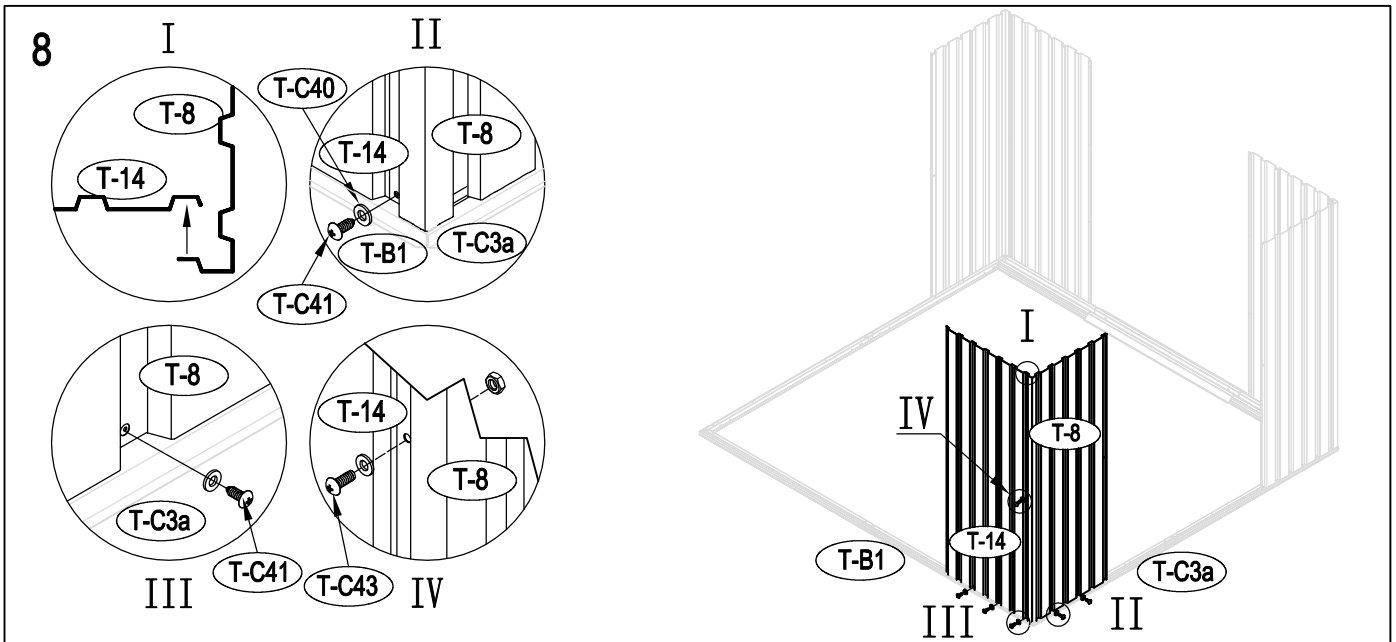
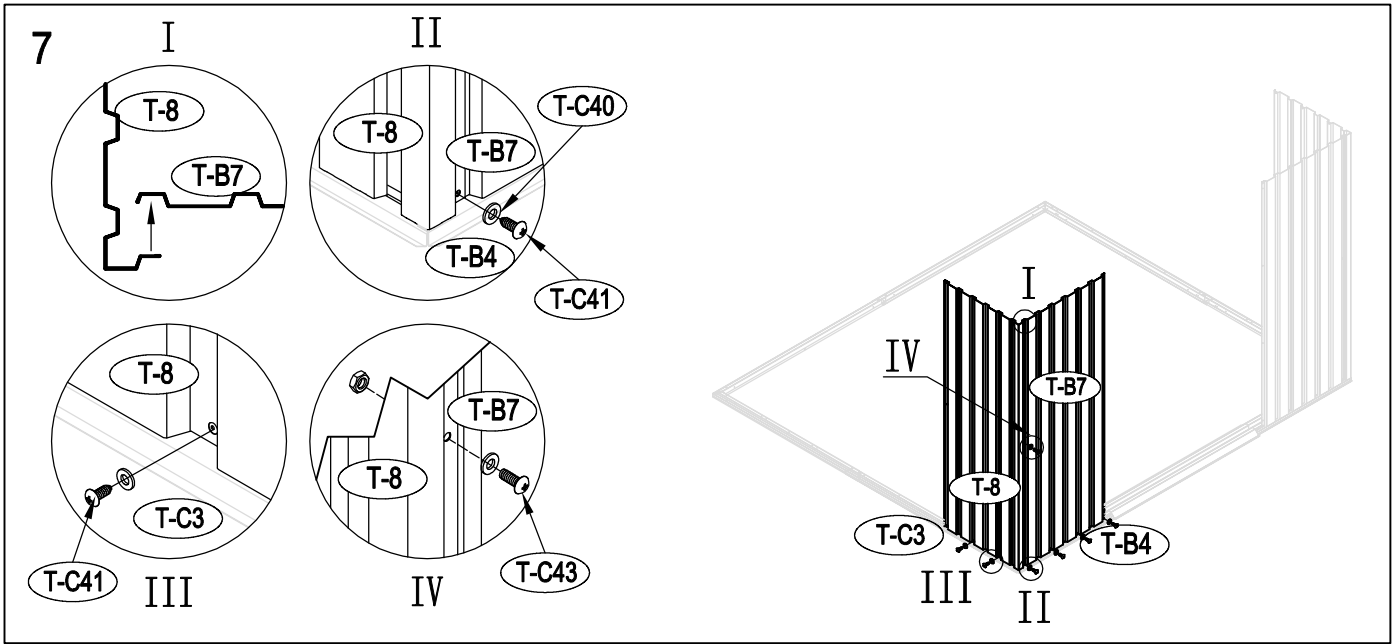
19mmX1210mmX2605mm.....(2)



**Important: Use hand gloves to prevent injury.**

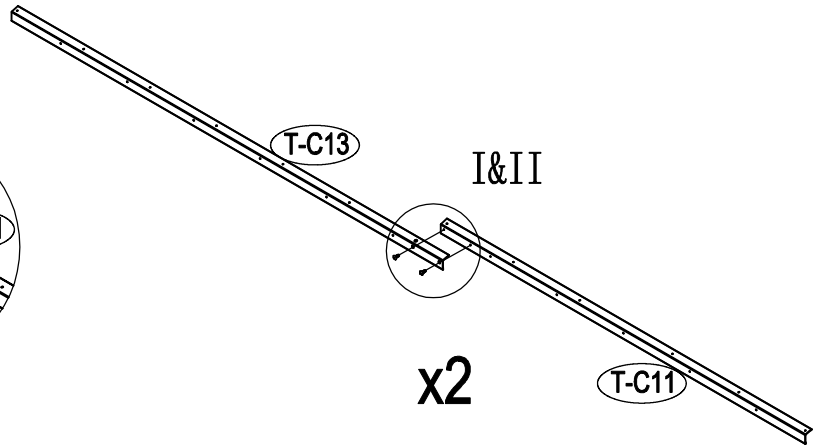
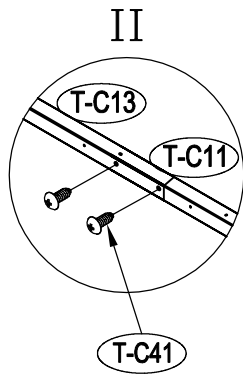
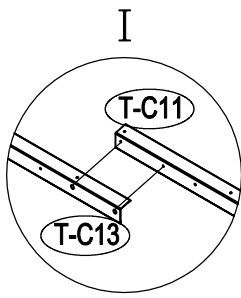




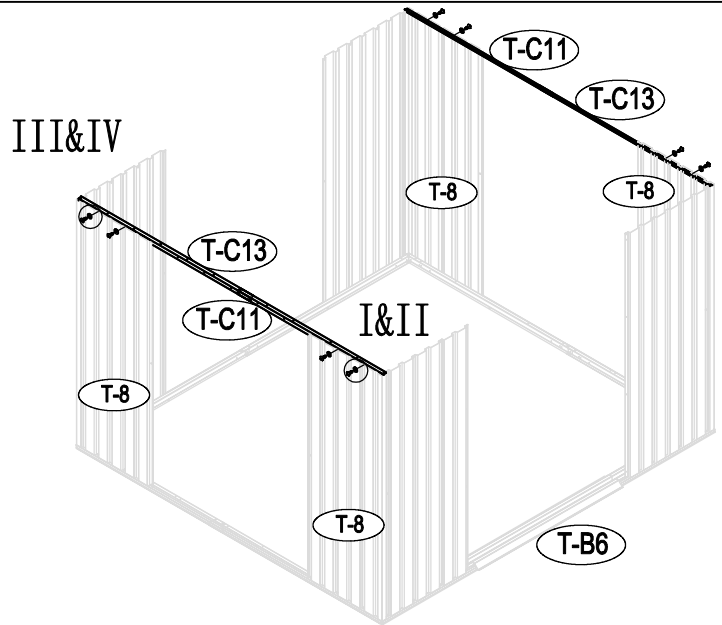
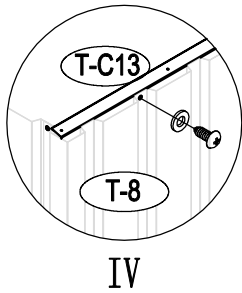
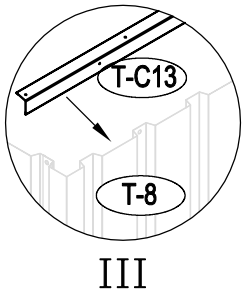
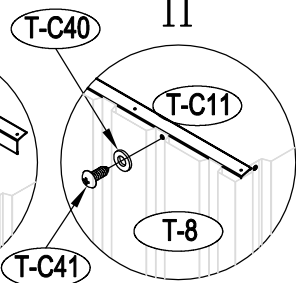
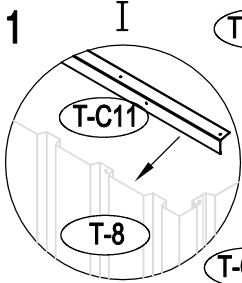




10



11



12

