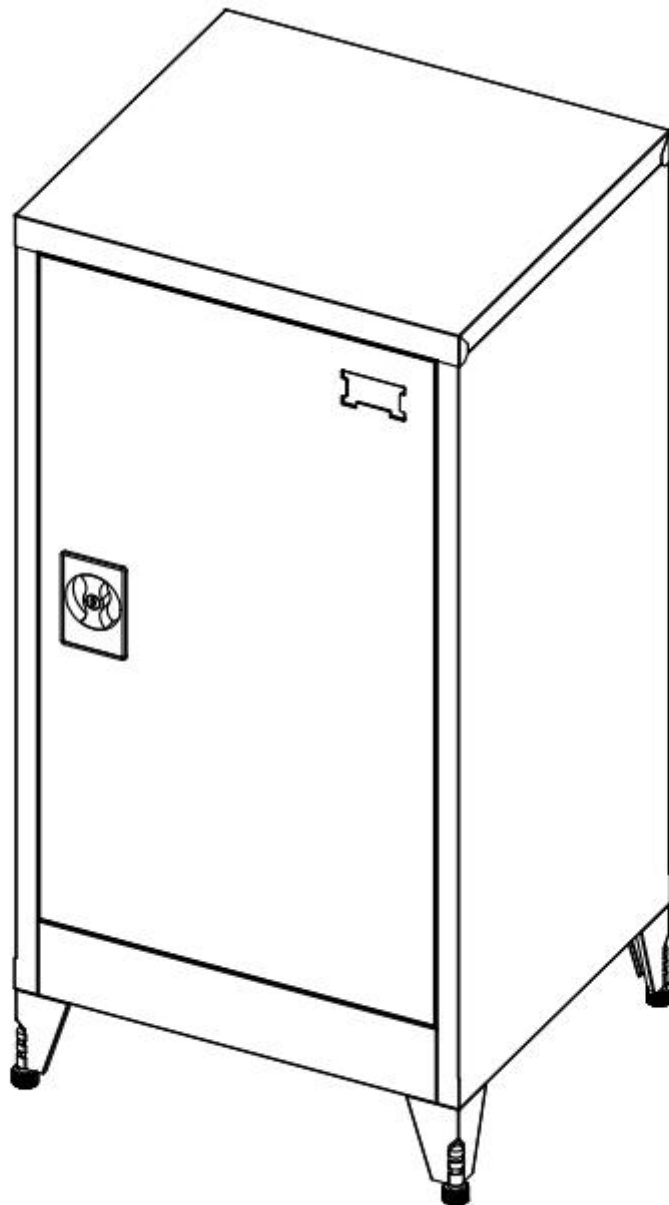
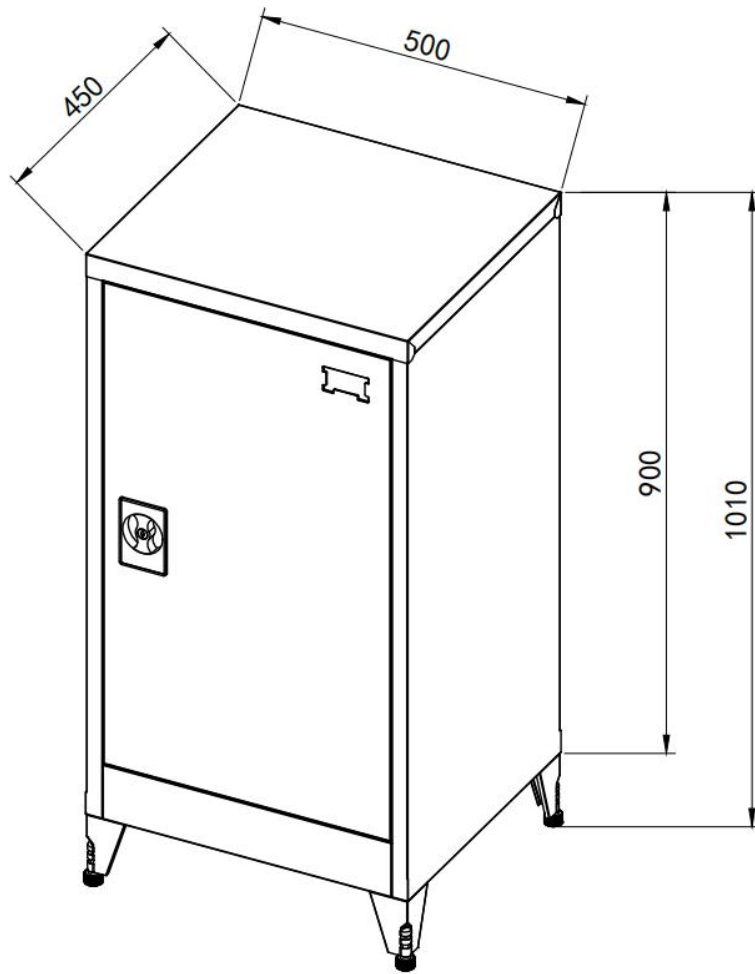


Metal Wardrobe

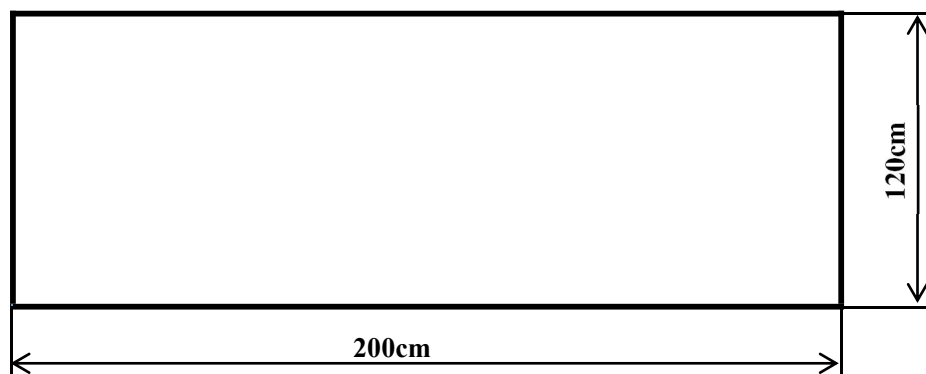
Owner's Manual/
Instruction for Assembly Model:452.104



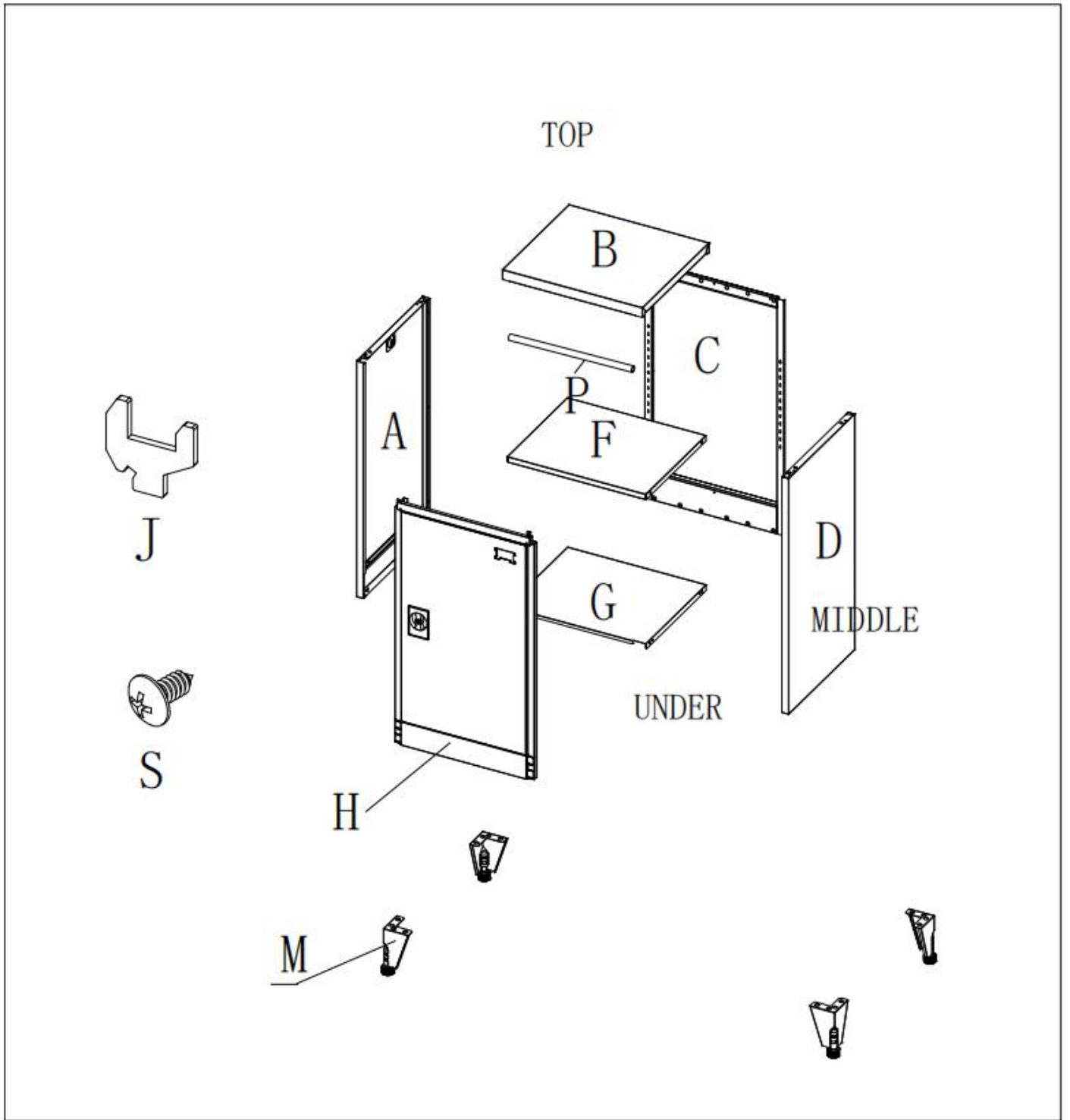
Size of Model:452.104





Area of installation requirement:



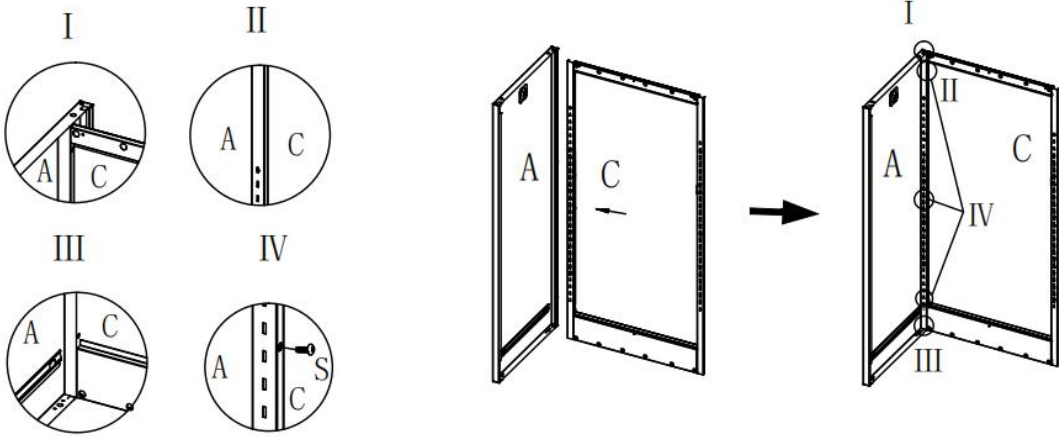
Explosive View:



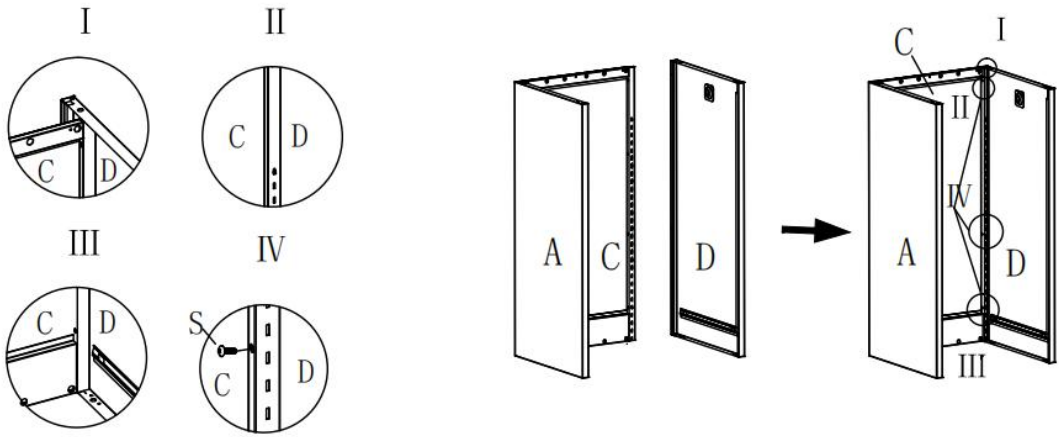
Bill of Material:

No.	Size(mm)	Quantity(pc)
TOP		
B	502*451.5	x1
MIDDLE		
A	450*870	x1
D	450*870	x1
C	498*868	x1
H	498*898	x1
P	498	x1
F	409*497	x4
UNDER		
G	414*497	x1
M	60*60*110	x4
ANNEX		
J		x4
S		x27

1.



2.



3.

