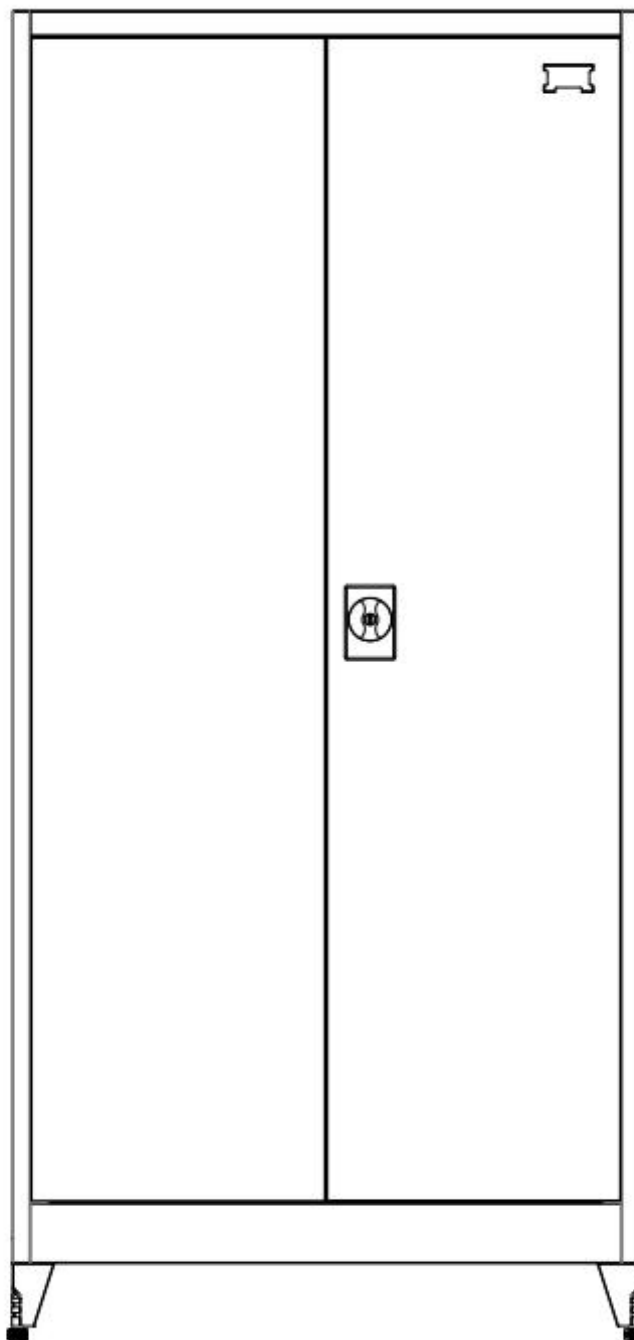
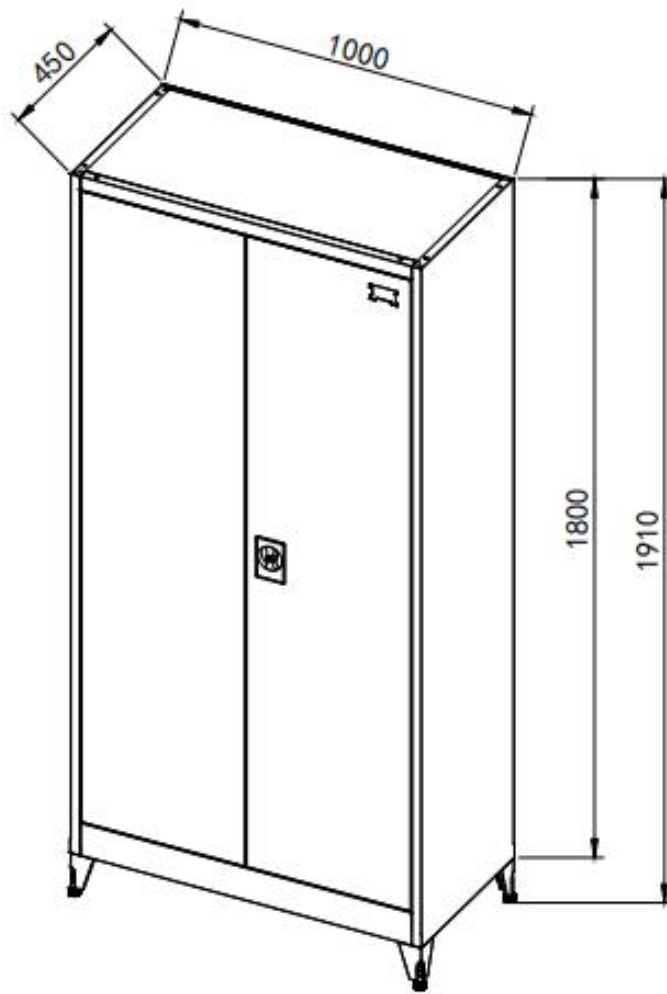


Metal Wardrobe

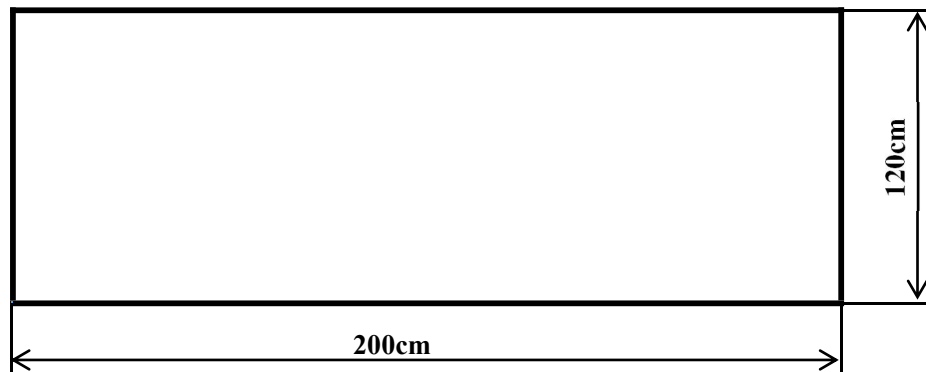
Owner's Manual/
Instruction for Assembly Model:452.031



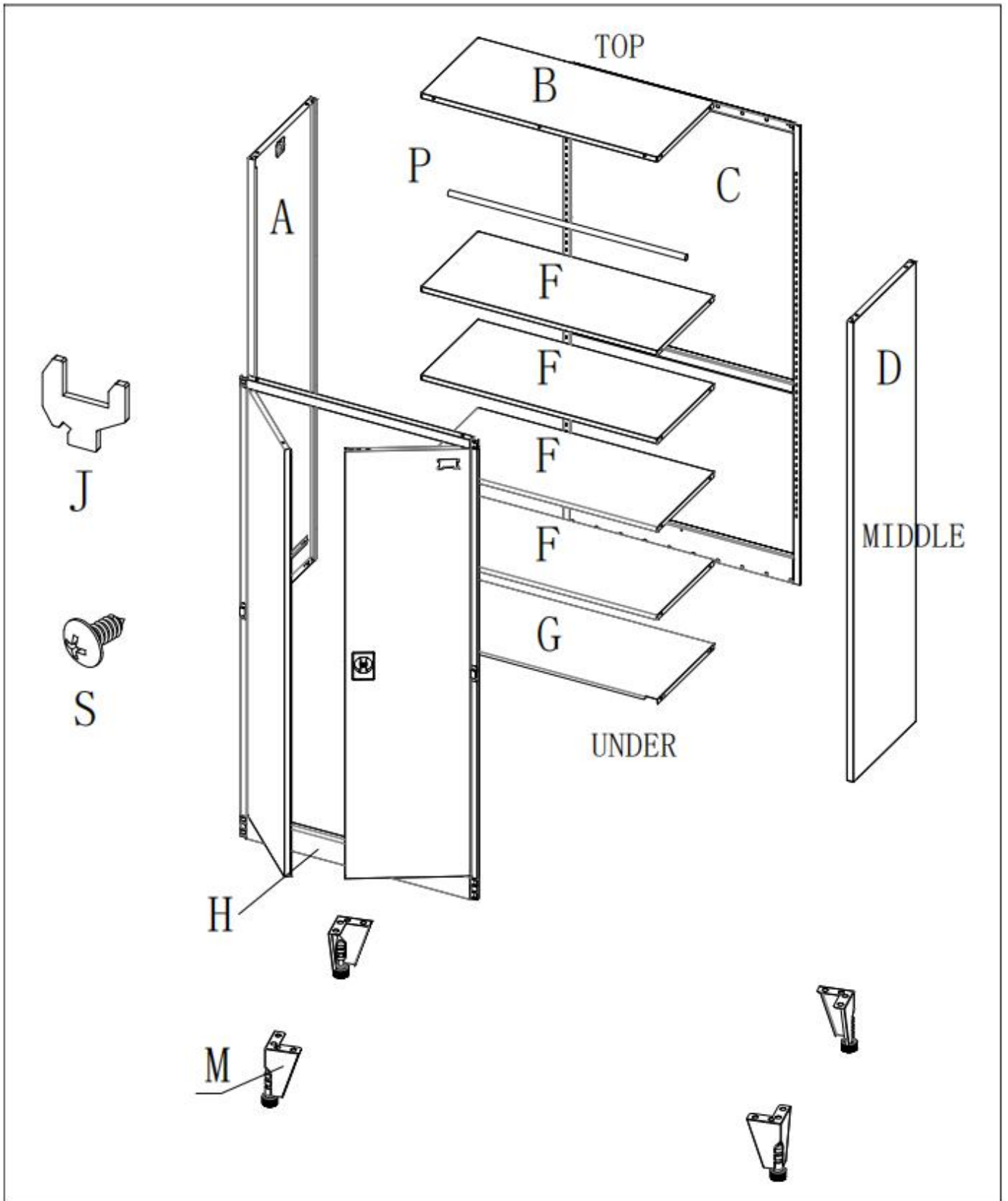
Size of Model:452.031





Area of installation requirement:



Explosive View:



Bill of Material:

No.	Size(mm)	Quantity(pc)
TOP		
B	410*997	x1
MIDDLE		
A	450*1800	x1
D	450*1800	x1
C	998*1798	x1
H	998*1800	x1
P	1000	x1
F	409*997	x4
UNDER		
G	414*997	x1
M	60*60*110	x4
ANNEX		
J		x16
S		x31

