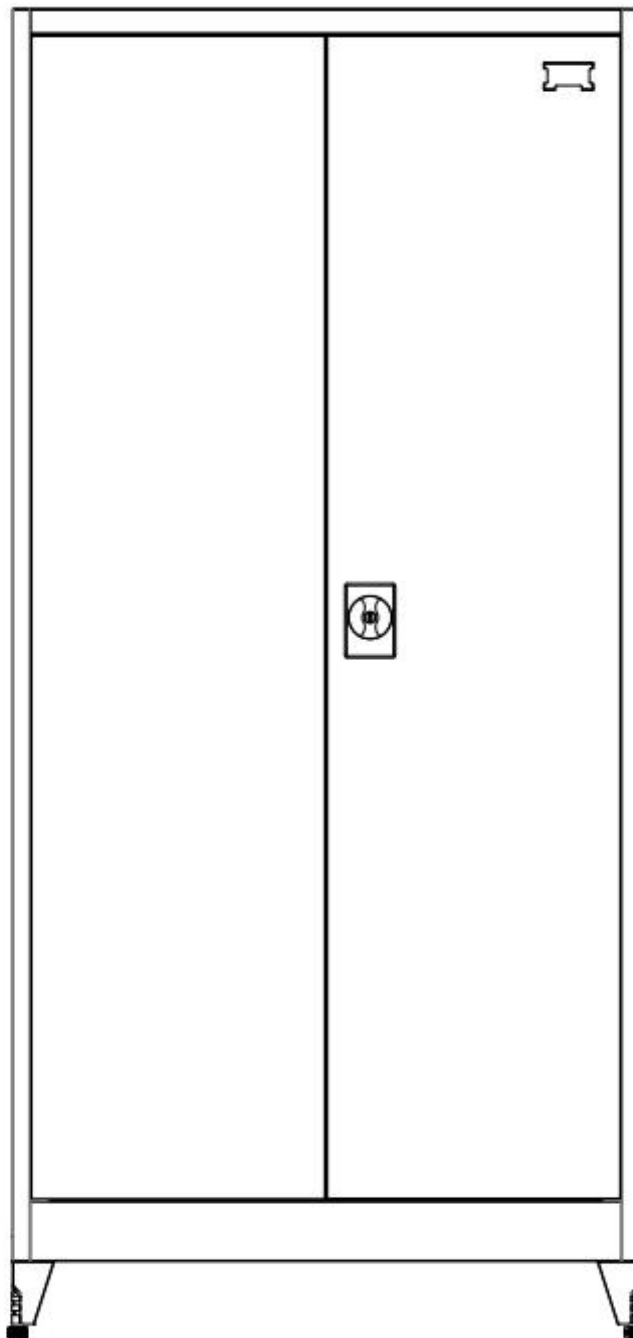


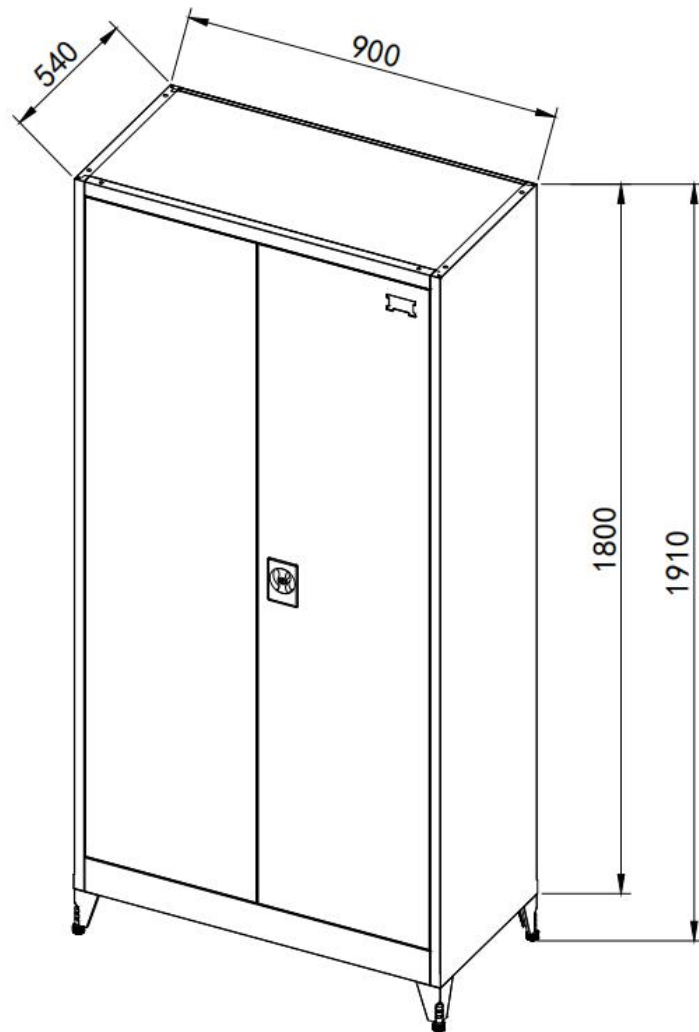
# Metal Wardrobe

---

Owner's Manual/  
Instruction for Assembly Model:452.023

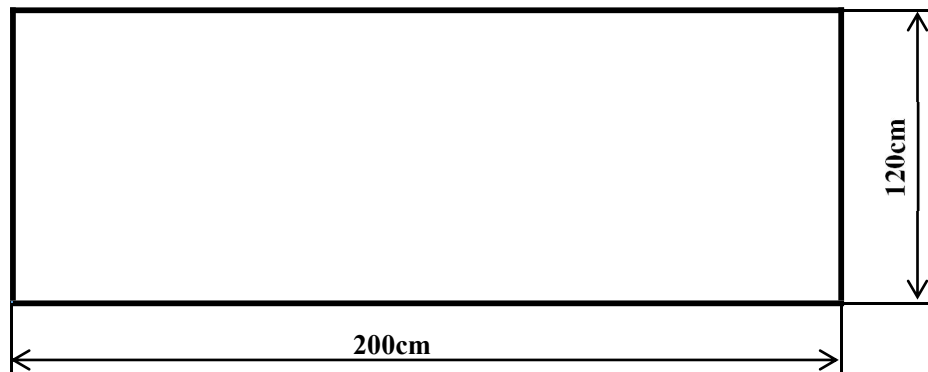


Size of Model:452.023

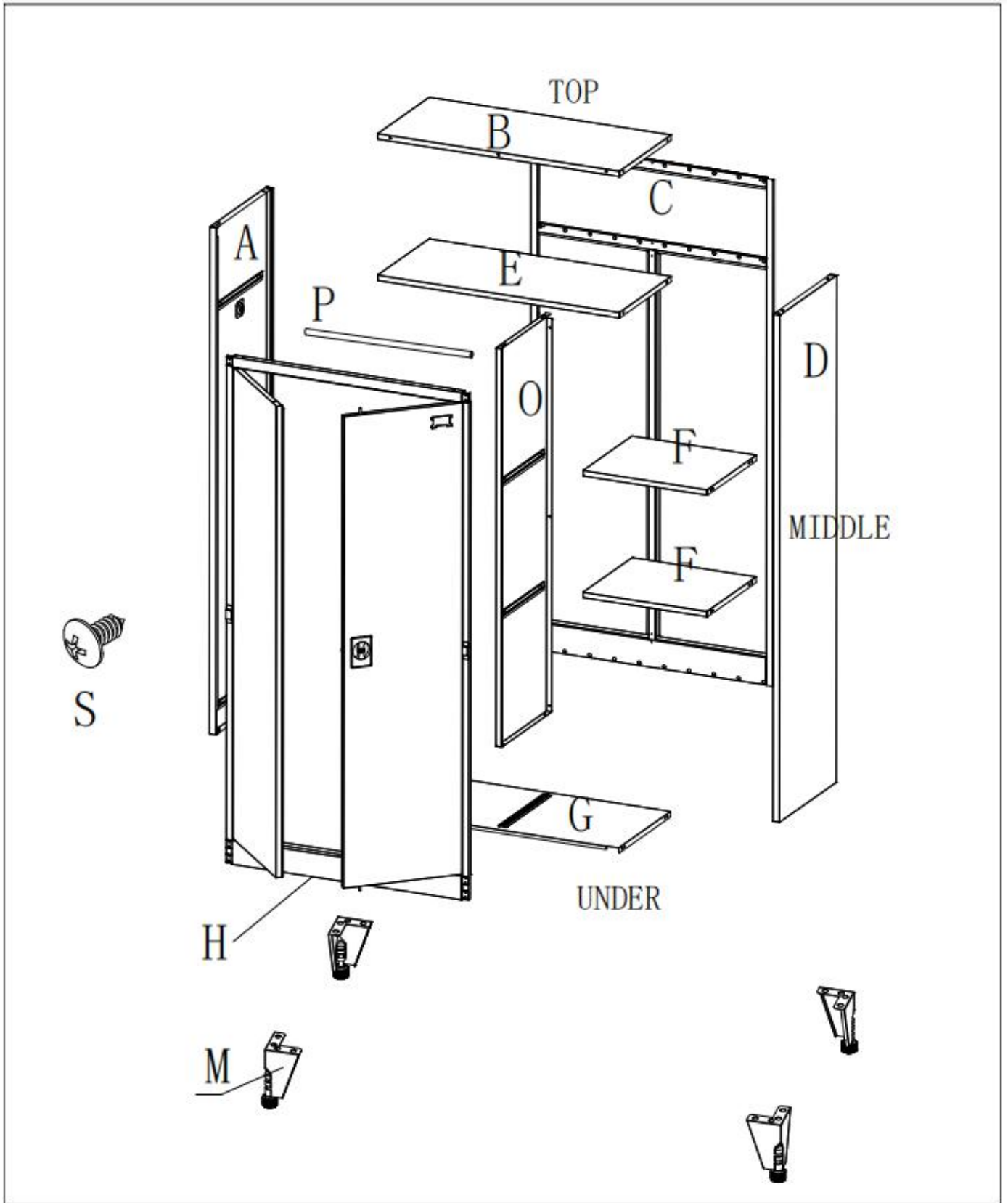


---


Area of installation requirement:



# Explosive View:



## Bill of Material:

No.	Size(mm)	Quantity(pc)
TOP		
B	500*897	x1
MIDDLE		
A	500*1800	x1
D	500*1800	x1
C	898*1798	x1
H	898*1800	x1
E	499*897	x1
F	460.5*480	x2
O	1415.5*490	x1
P	439	x1
UNDER		
G	504*897	x1
M	60*60*110	x4
ANNEX		
S		x35

