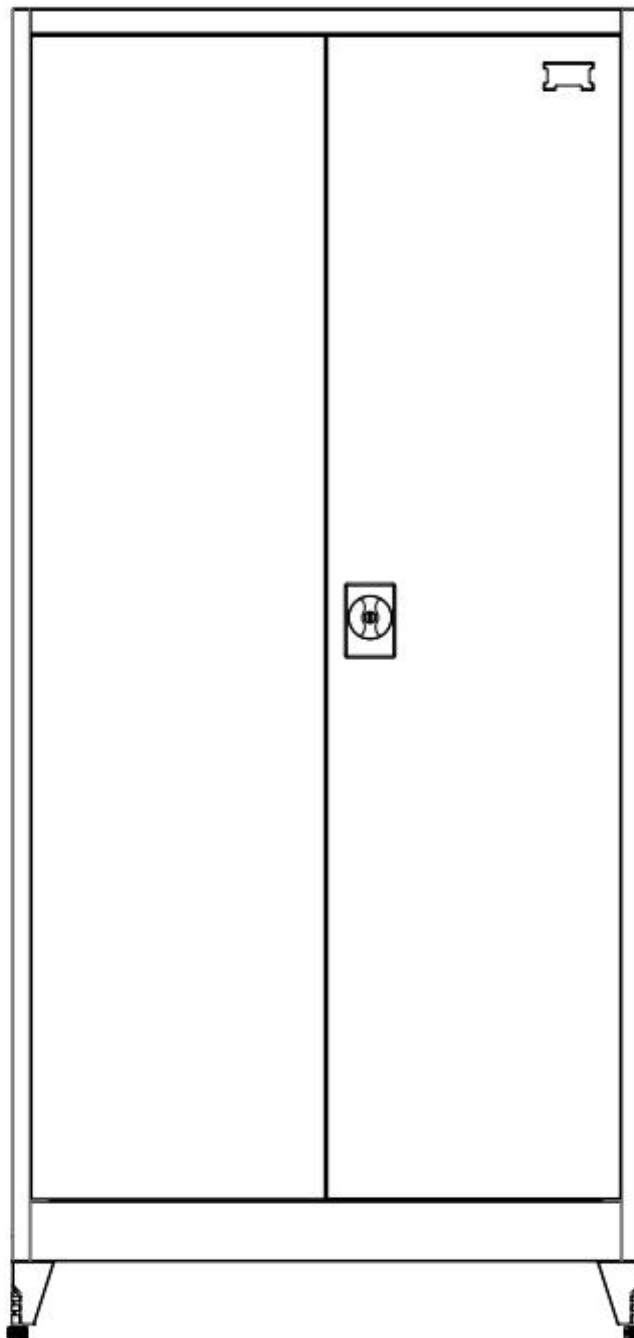


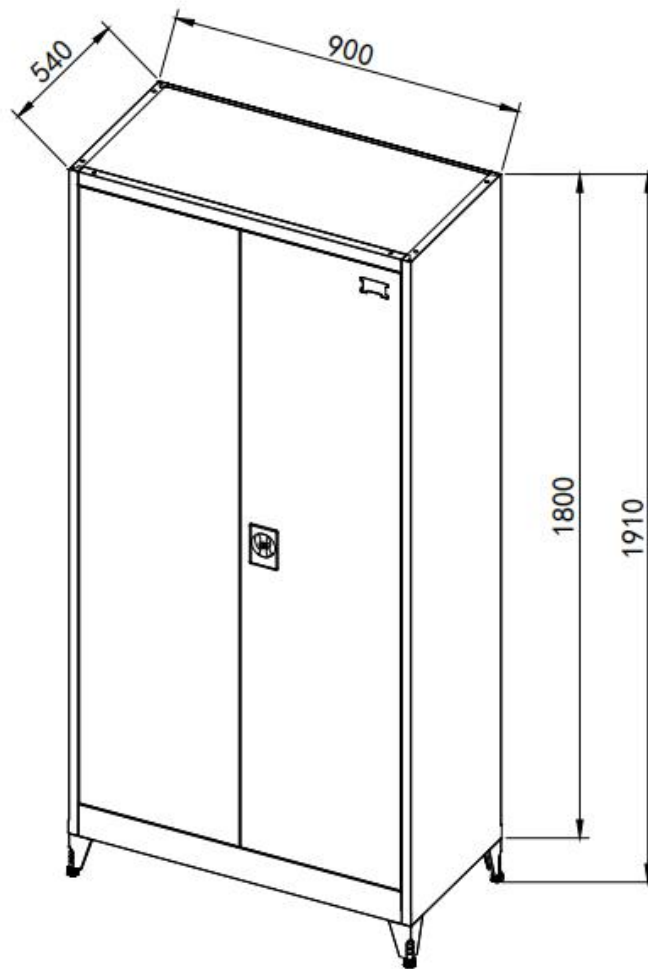
# Metal Wardrobe

---

Owner's Manual/  
Instruction for Assembly Model:452.021

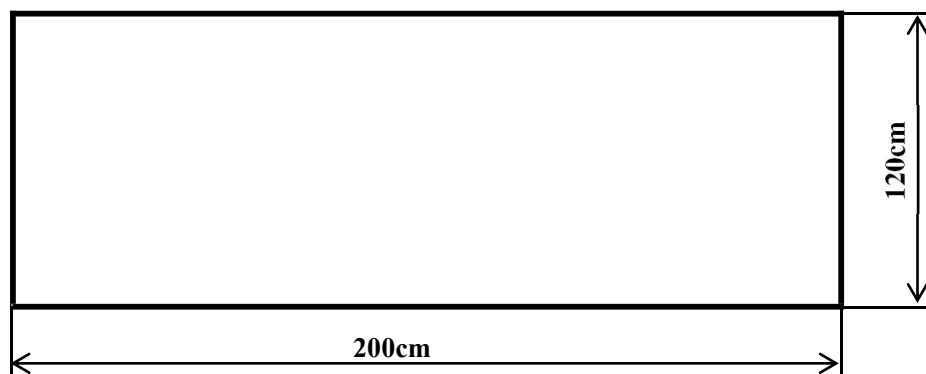


Size of Model:452.021

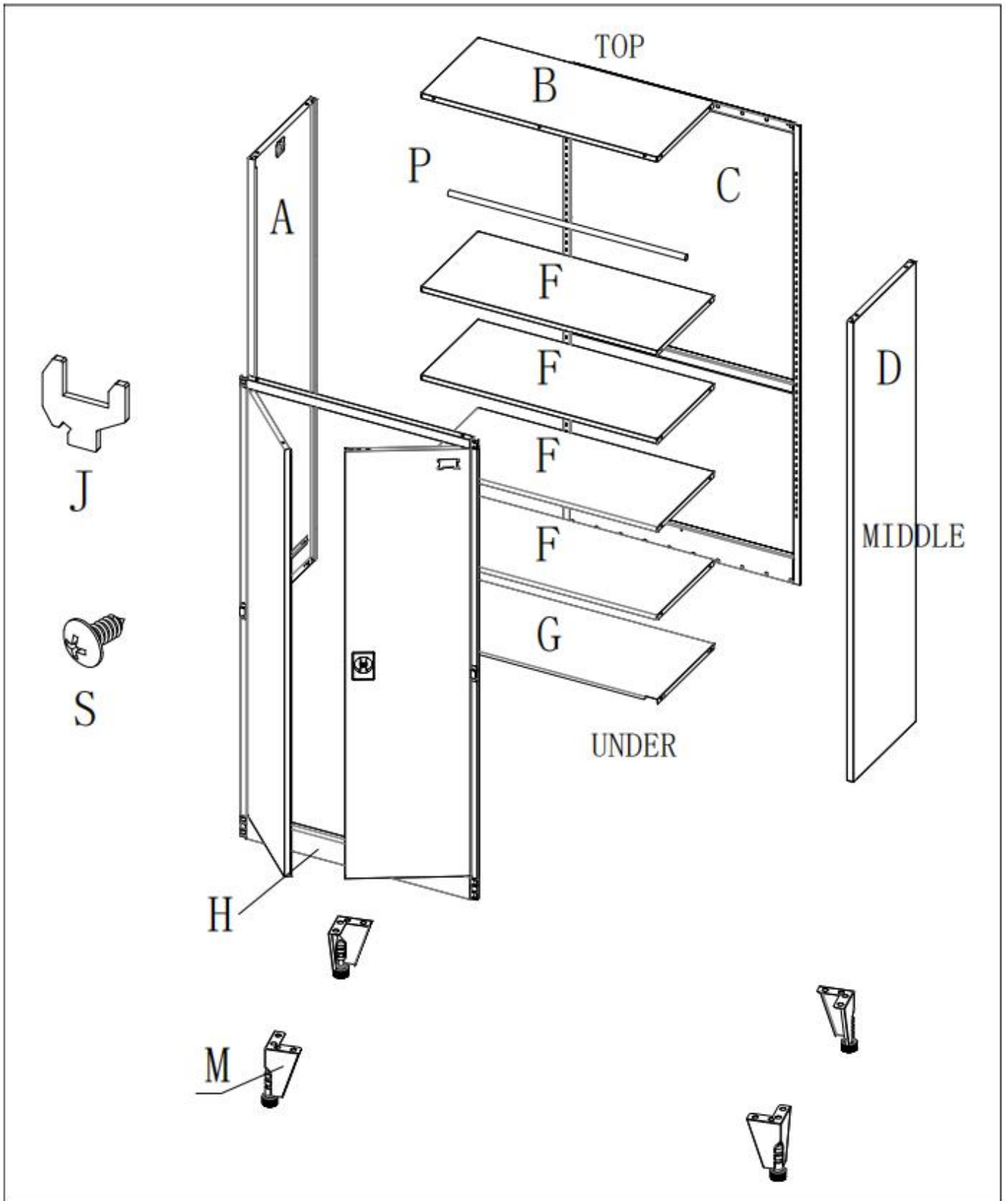


---



Area of installation requirement:



# Explosive View:



## Bill of Material:

No.	Size(mm)	Quantity(pc)
TOP		
B	500*897	x1
MIDDLE		
A	540*1800	x1
D	540*1800	x1
C	898*1798	x1
H	898*1800	x1
P	900	x1
F	499*897	x4
UNDER		
G	504*897	x1
M	60*60*110	x4
ANNEX		
J		x16
S		x31

