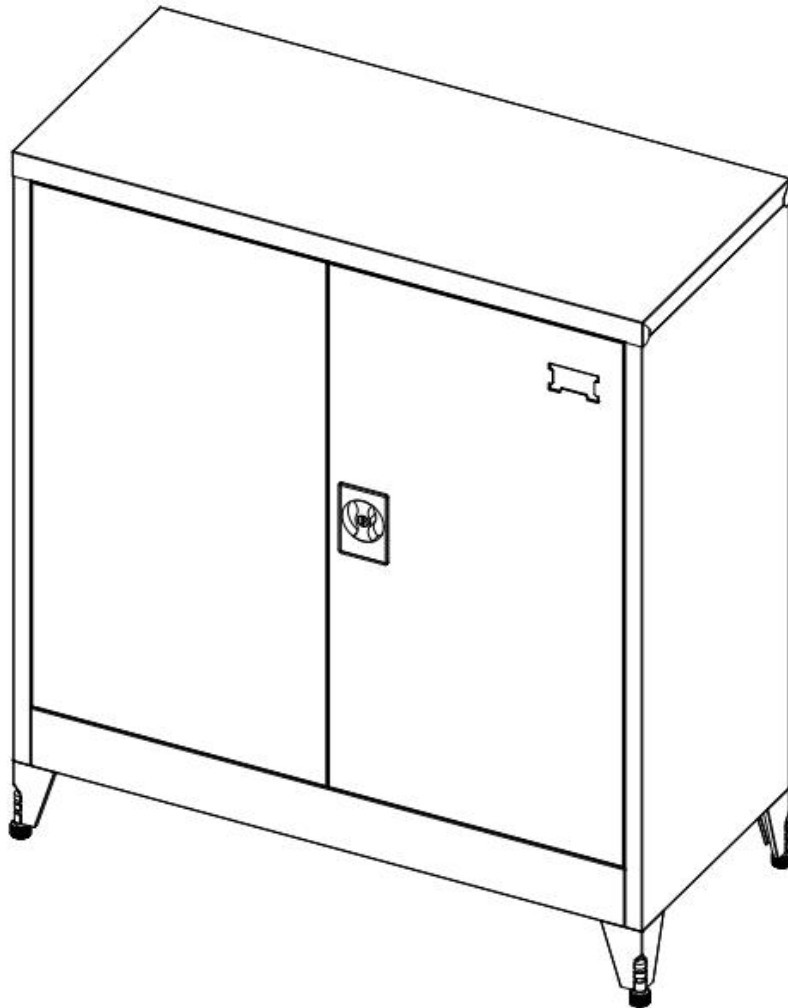


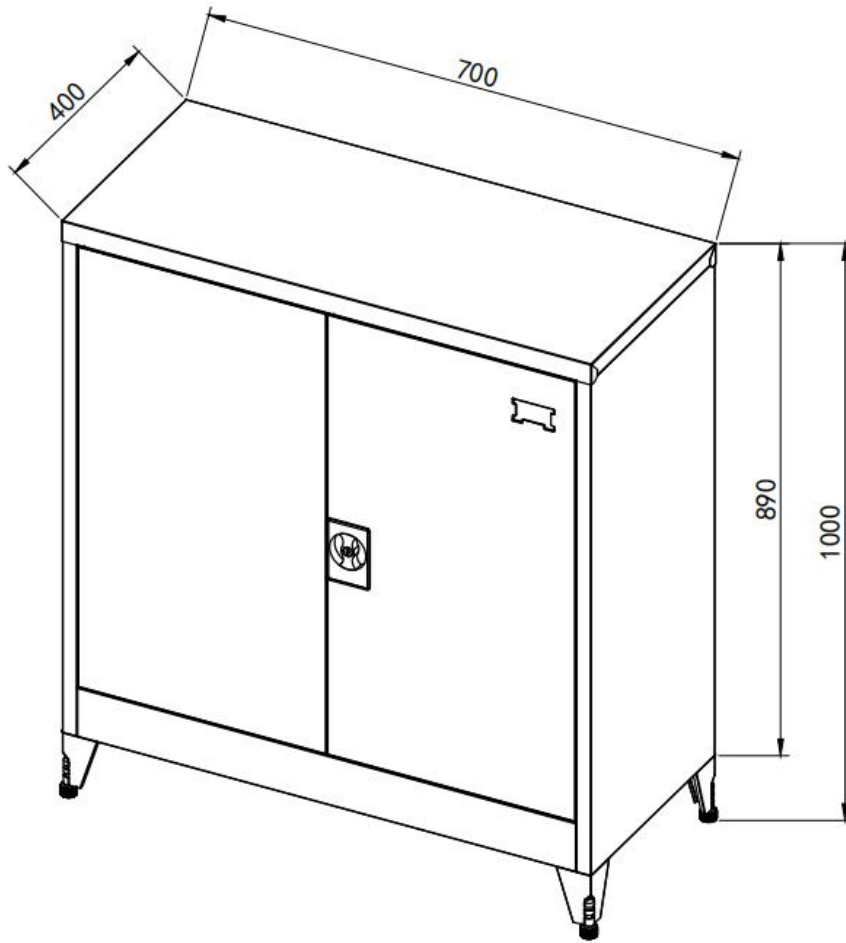
Metal Wardrobe

Owner's Manual/
Instruction for Assembly Model:452.016

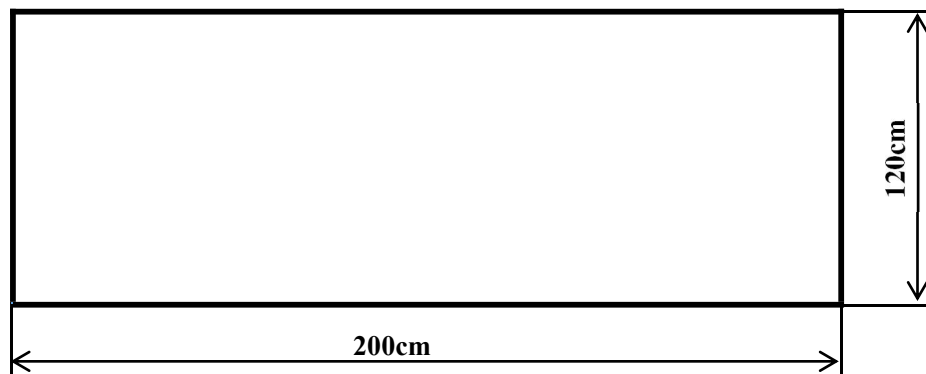



apothiki365.gr

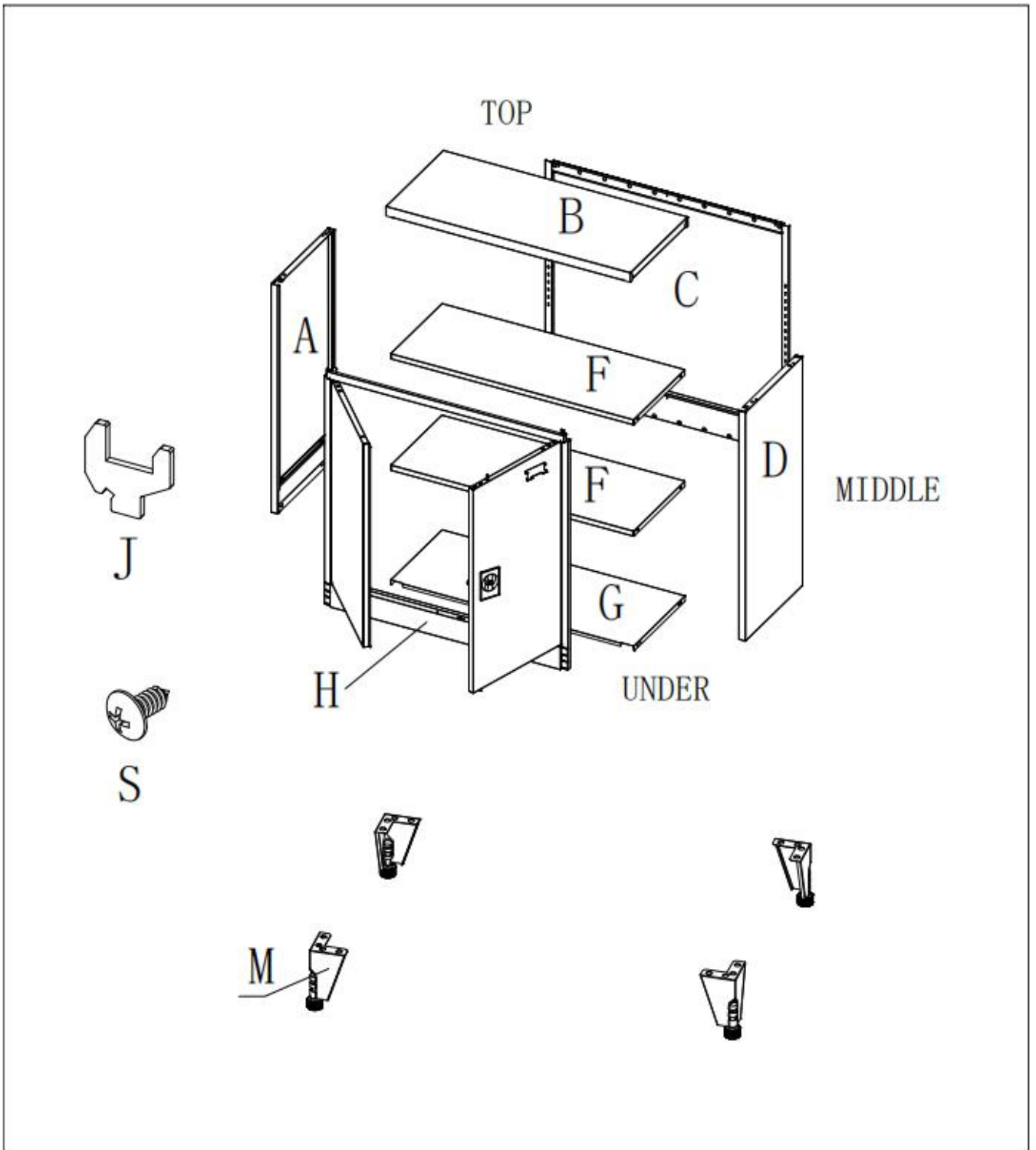
Size of Model:452.016





Area of installation requirement:



Explosive View:



Bill of Material:

No.	Size(mm)	Quantity(pc)
TOP		
B	401.5*702	x1
MIDDLE		
A	400*860	x1
D	400*860	x1
C	858*698	x1
H	888*698	x1
F	359*697	x2
UNDER		
G	364*697	x1
M	60*60*110	x4
ANNEX		
J		x8
S		x27

