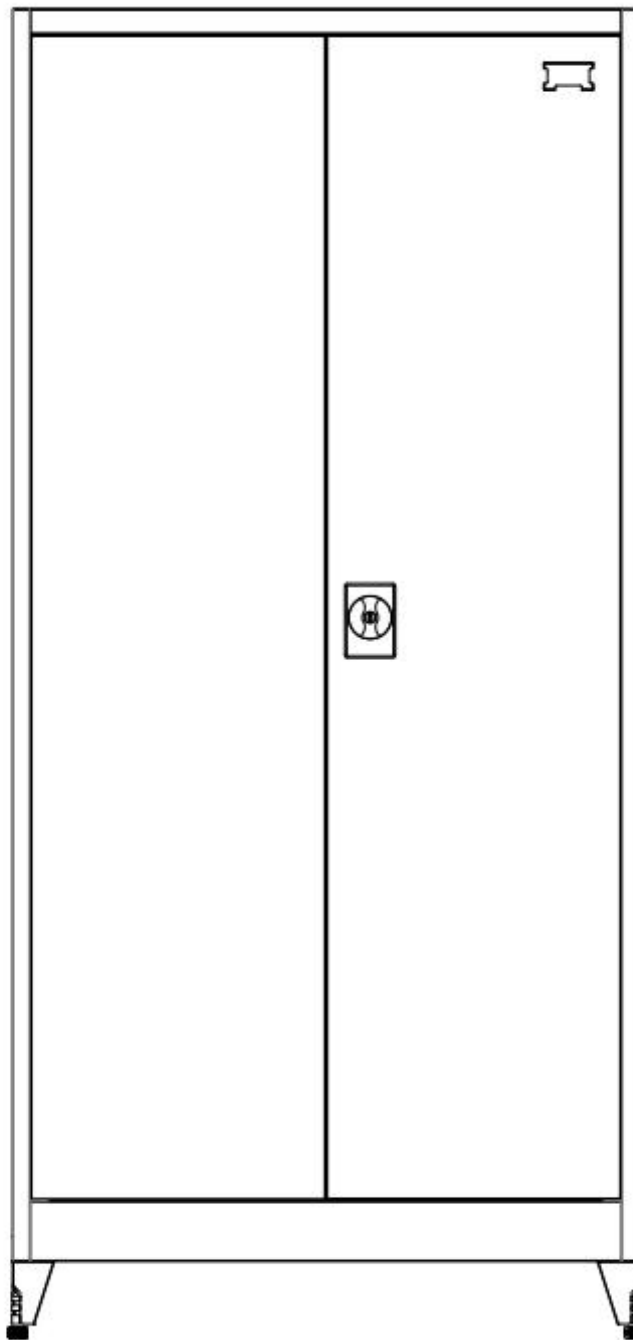
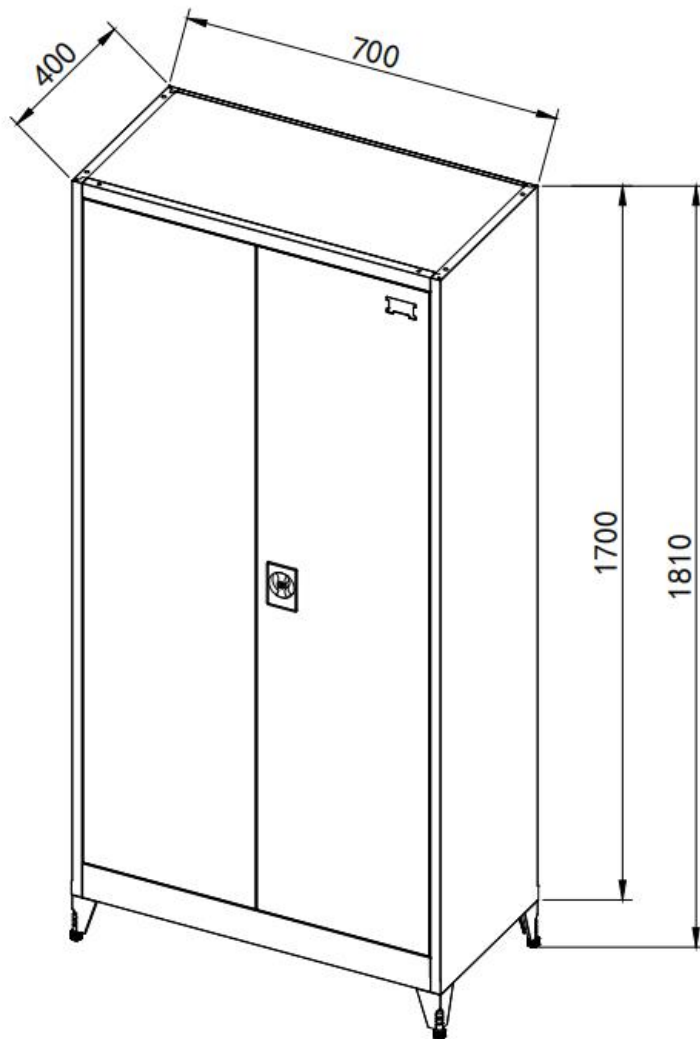


Metal Wardrobe

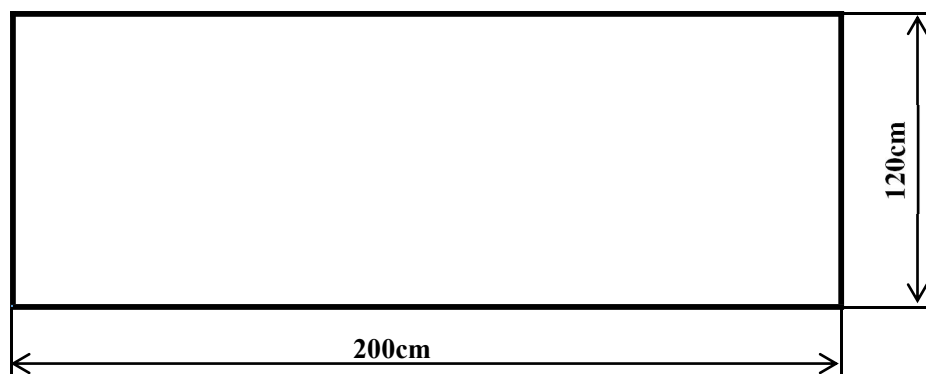
Owner's Manual/
Instruction for Assembly Model:452.008



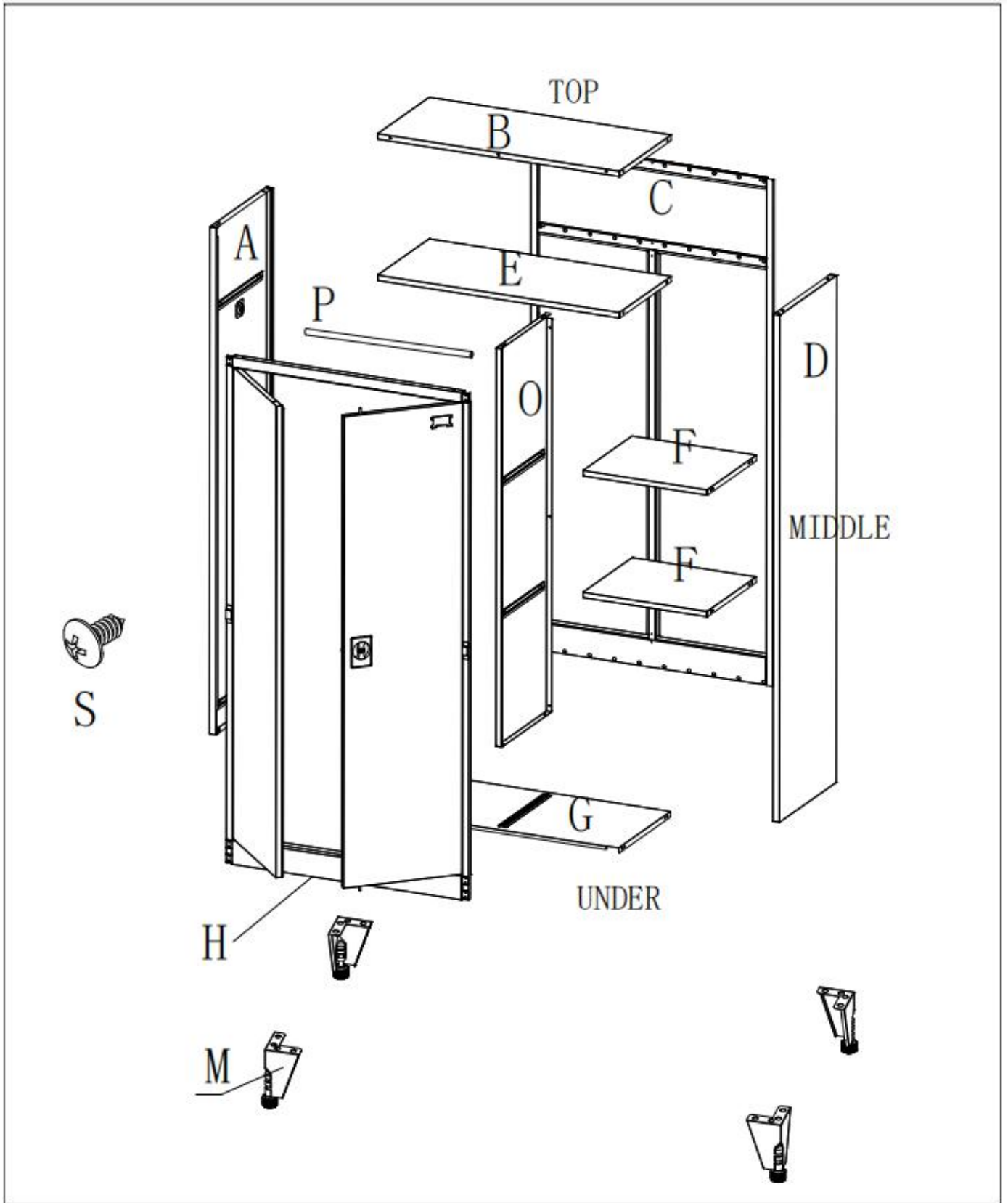
Size of Model:452.008




Area of installation requirement:



Explosive View:



Bill of Material:

No.	Size(mm)	Quantity(pc)
TOP		
B	360*697	x1
MIDDLE		
A	400*1700	x1
D	400*1700	x1
C	698*1698	x1
H	698*1700	x1
E	359*697	x1
F	360.5*340	x2
O	1315.5*350	x1
P	339	x1
UNDER		
G	364*697	x1
M	60*60*110	x4
ANNEX		
S		x35

