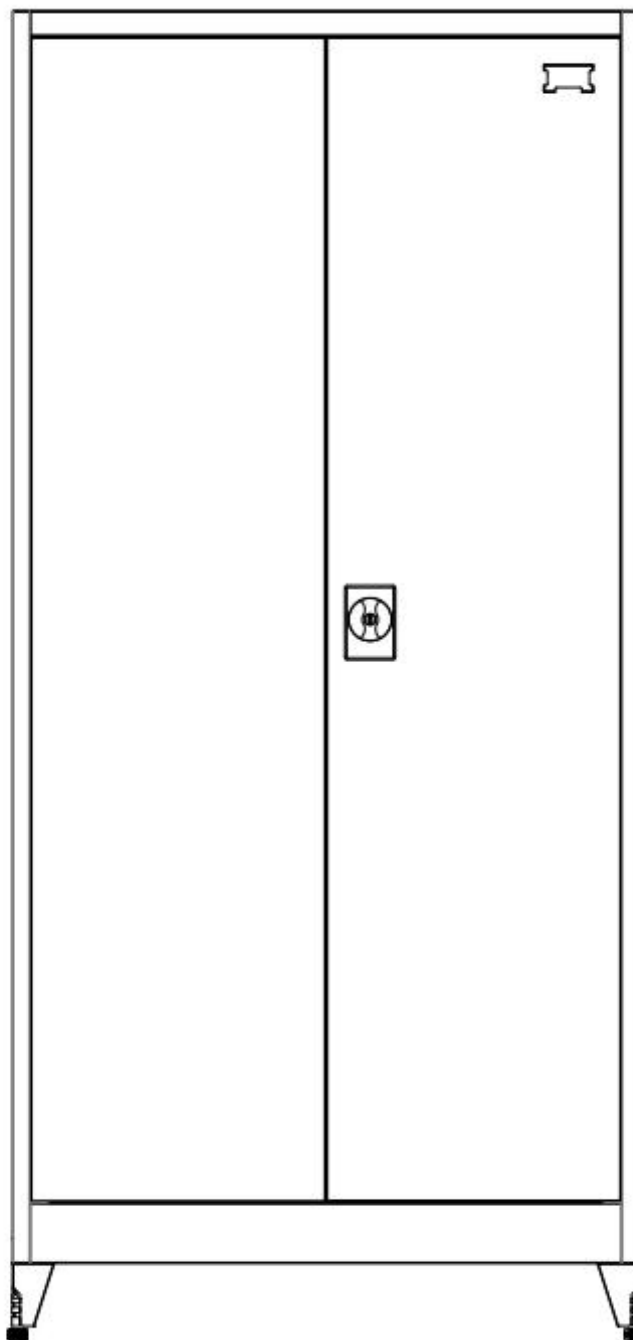
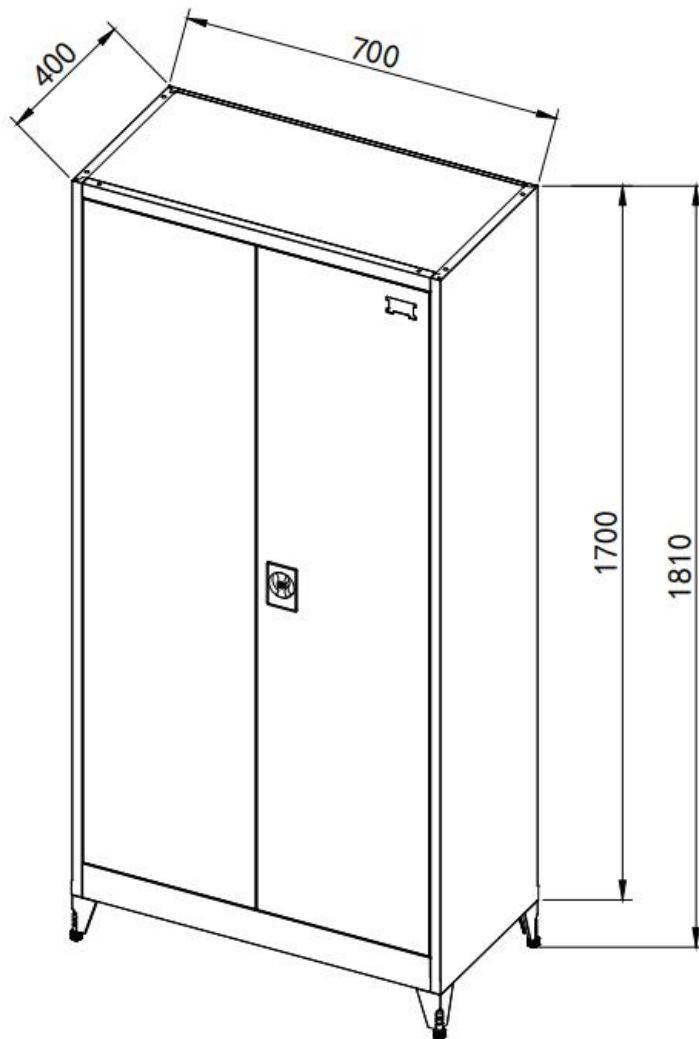


Metal Wardrobe

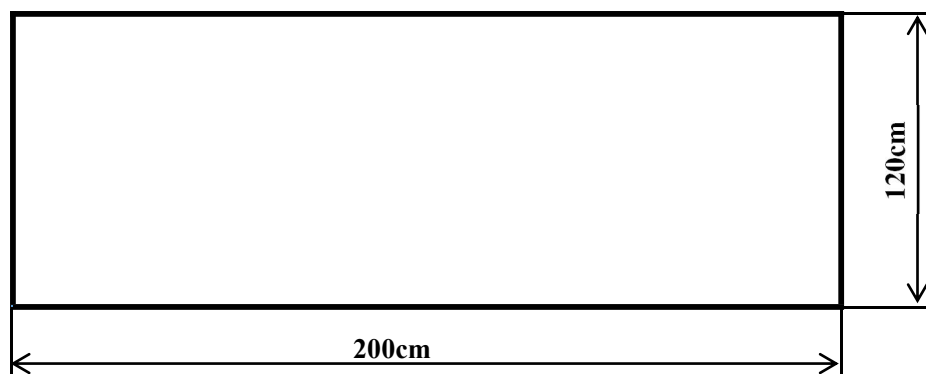
Owner's Manual/
Instruction for Assembly Model:452.007



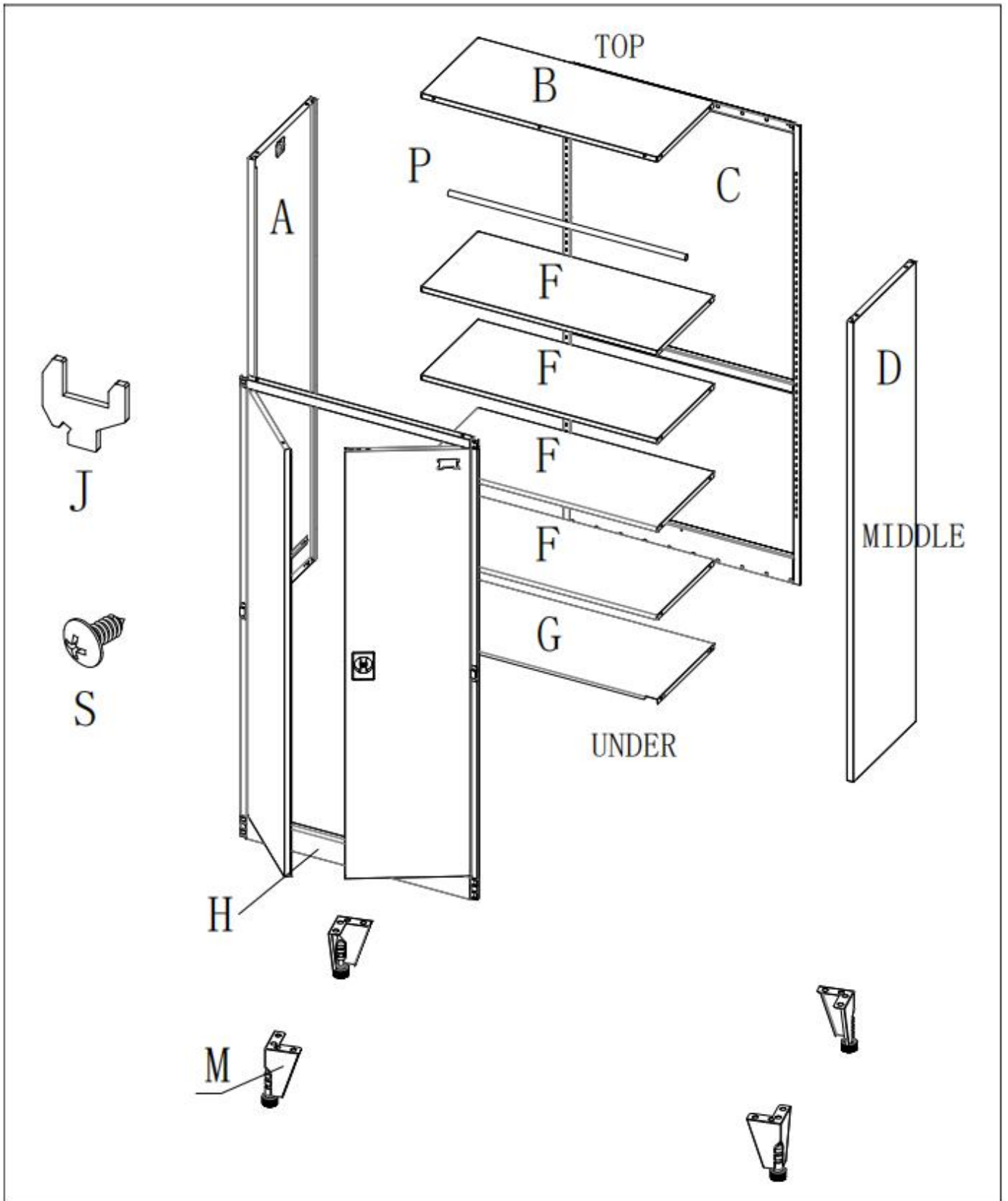
Size of Model:452.007





Area of installation requirement:



Explosive View:



Bill of Material:

| No. | Size(mm) | Quantity(pc) |
|--------|---|--------------|
| TOP | | |
| B | 360*697 | x1 |
| MIDDLE | | |
| A | 400*1700 | x1 |
| D | 400*1700 | x1 |
| C | 698*1698 | x1 |
| H | 698*1700 | x1 |
| P | 698 | x1 |
| F | 359*697 | x4 |
| UNDER | | |
| G | 364*697 | x1 |
| M | 60*60*110 | x4 |
| ANNEX | | |
| J |  | x16 |
| S |  | x31 |

