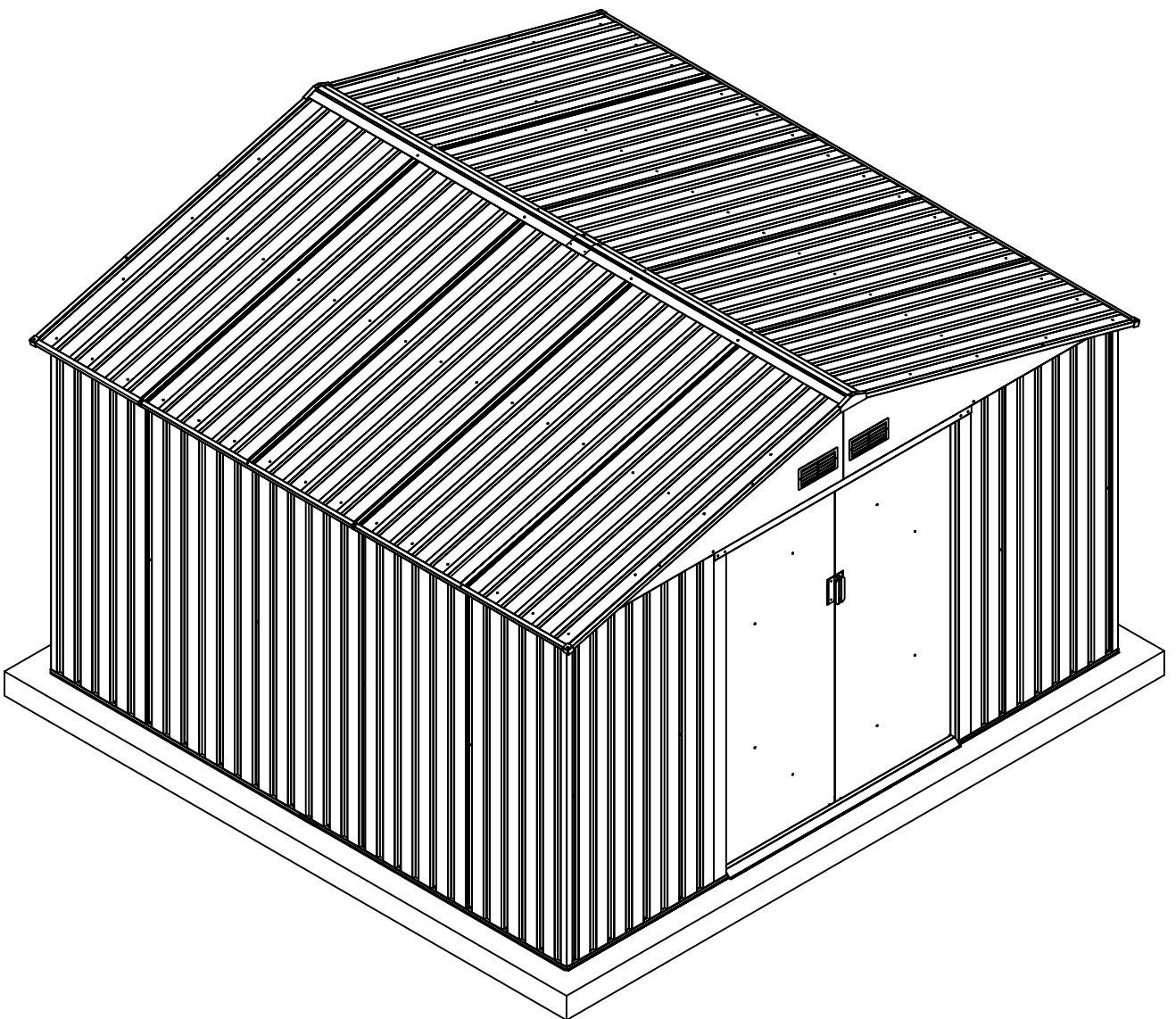


Metal Shed

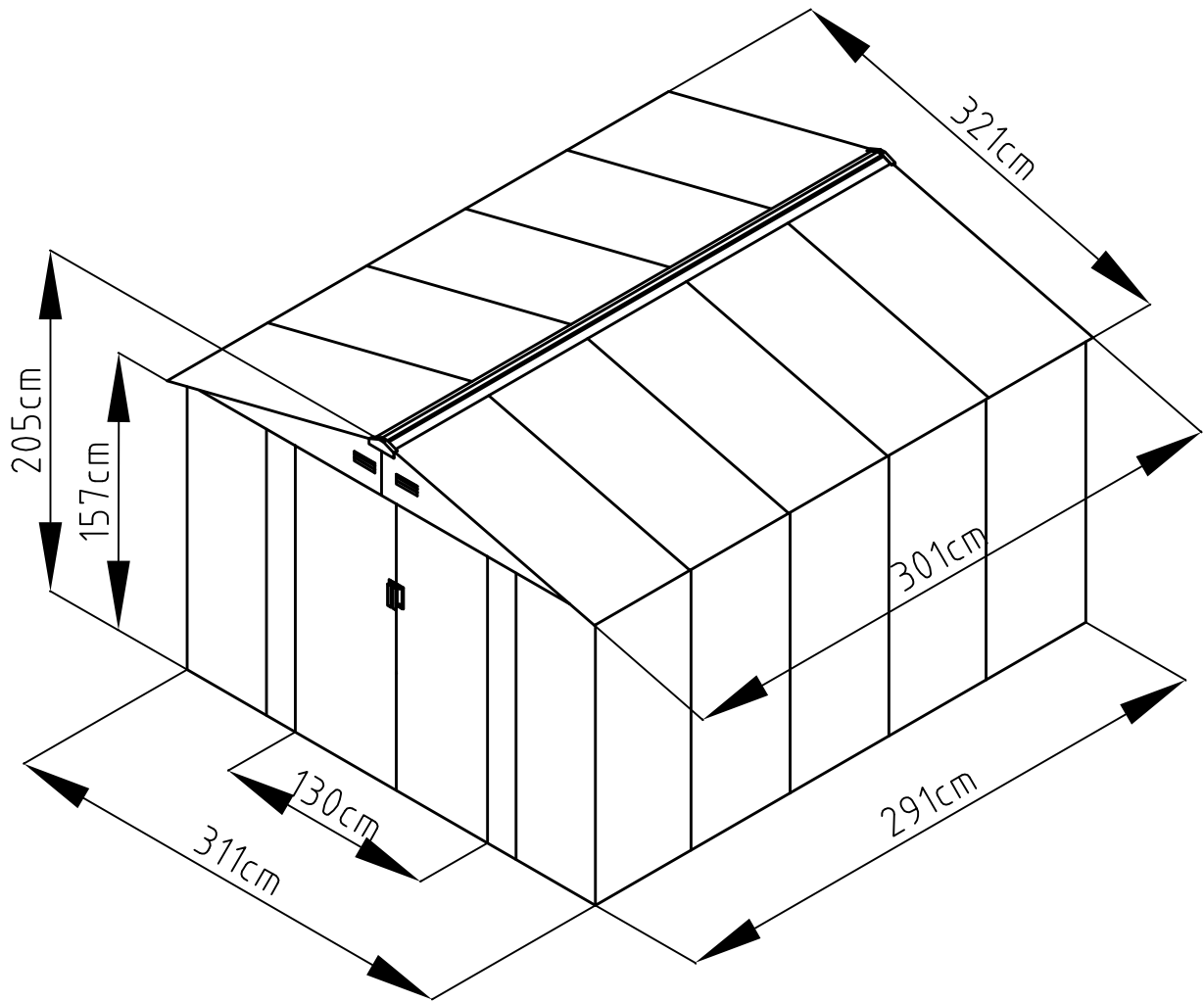
5/05/2017

OWNER'S MANUAL / Instructions for Assembly S1001G

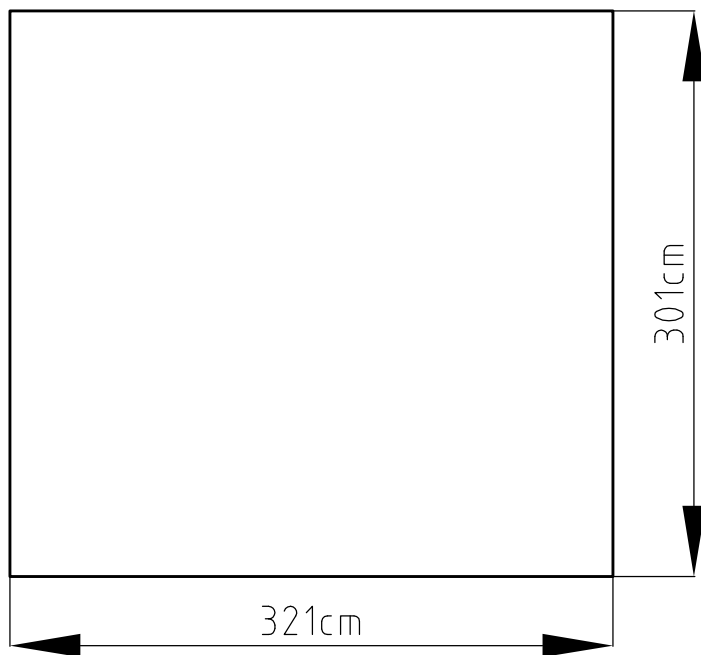


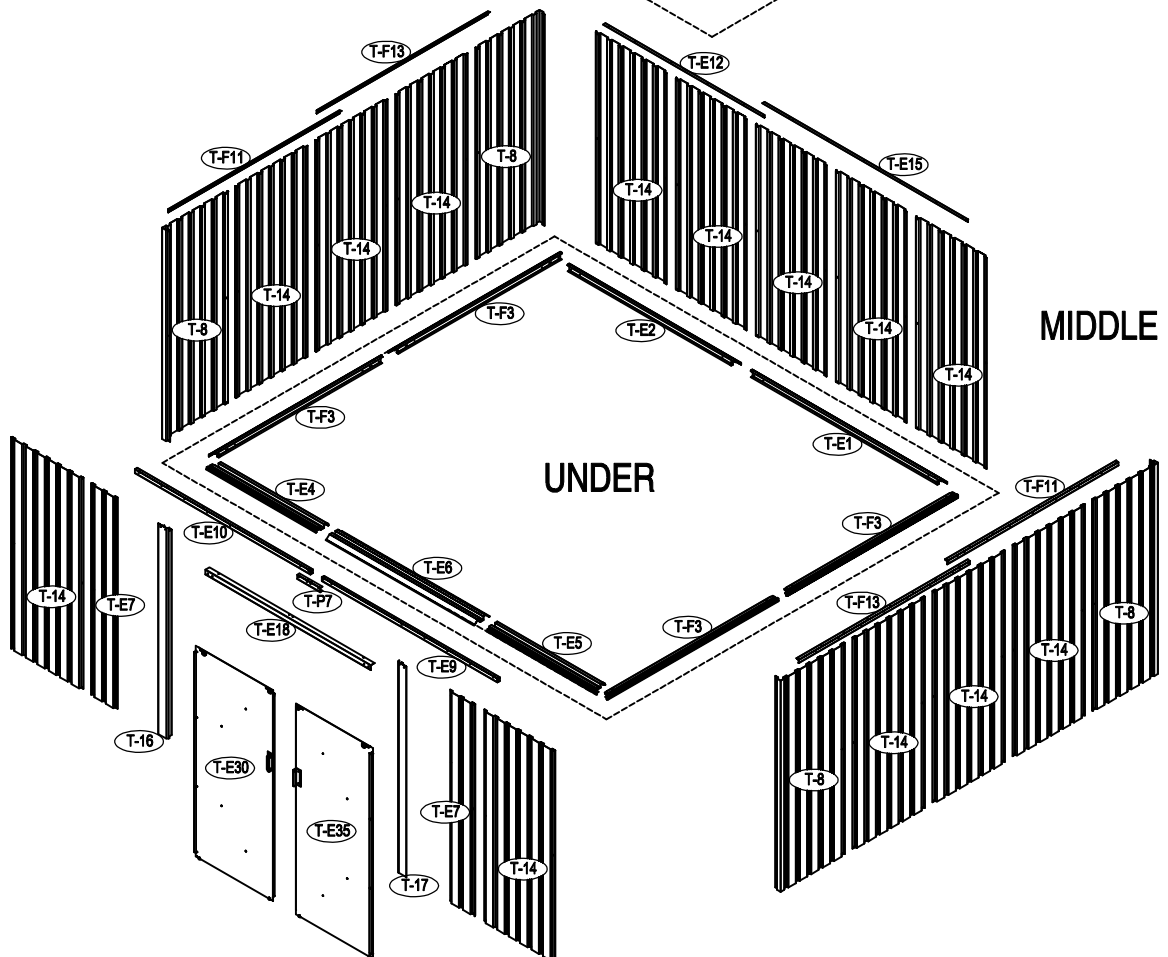
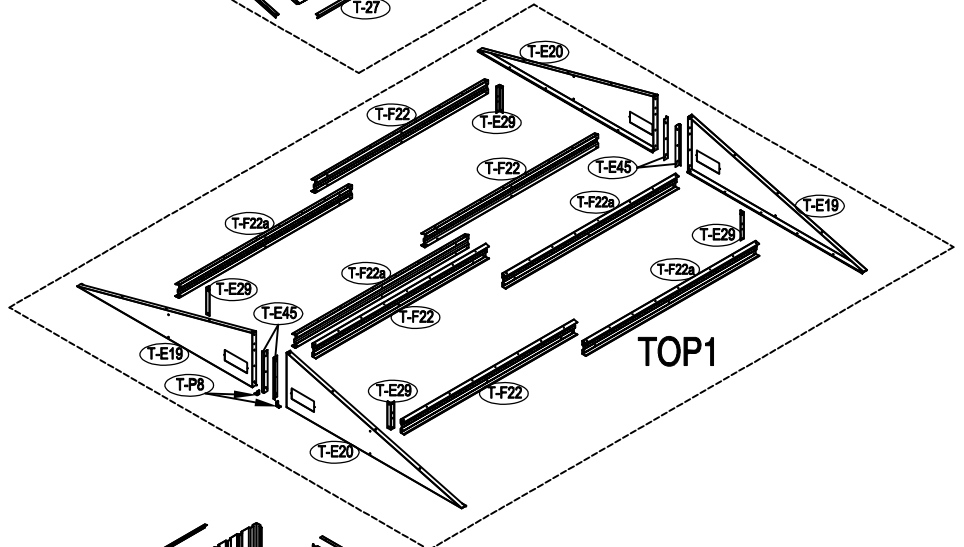
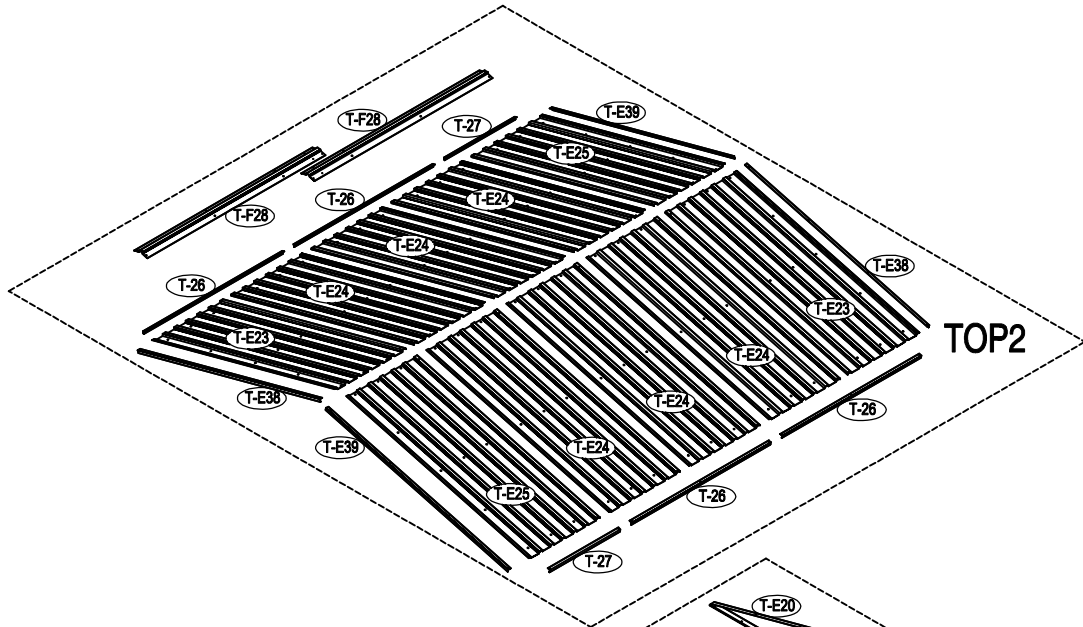
Requires two people and takes 3-4 hours for Installation.

Size of S1001G



Area of installation requirement:





NOTE:It is important Tat Tese instructions are followed step by step.

Metal Shed must be installed on a level wooden platform or a level concrete foundation

Wooden platform is extra and is not included.
Don't install under windy conditions.

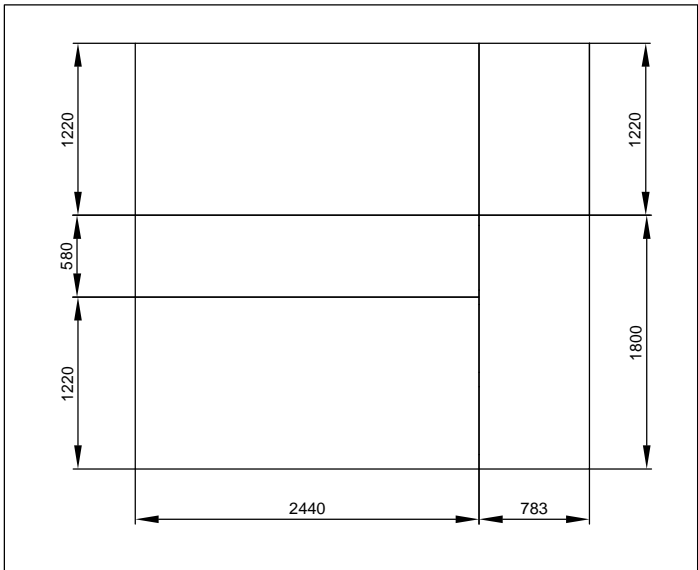
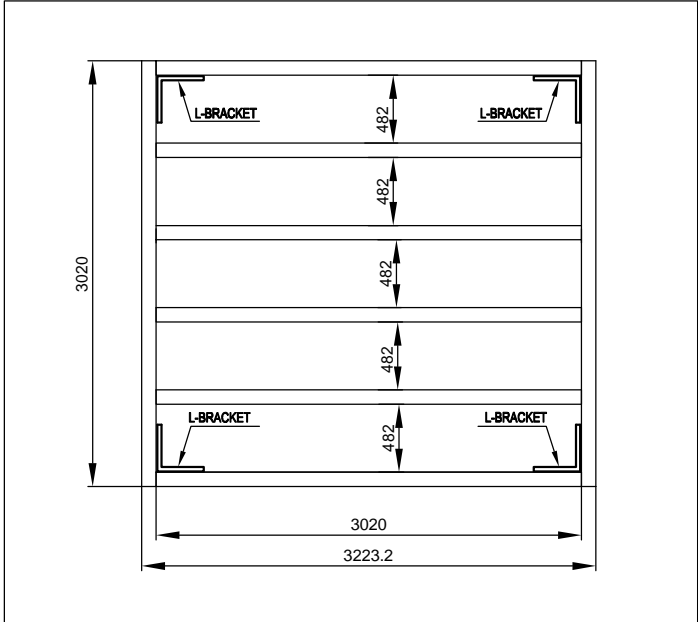
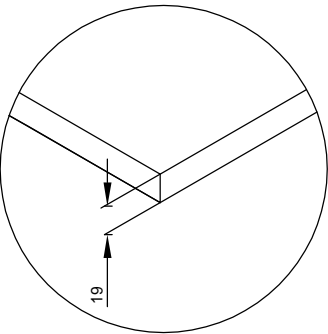
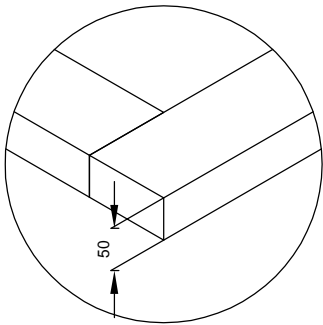
Wooden Platform

Te following are a list of lumber and sizes you will need.

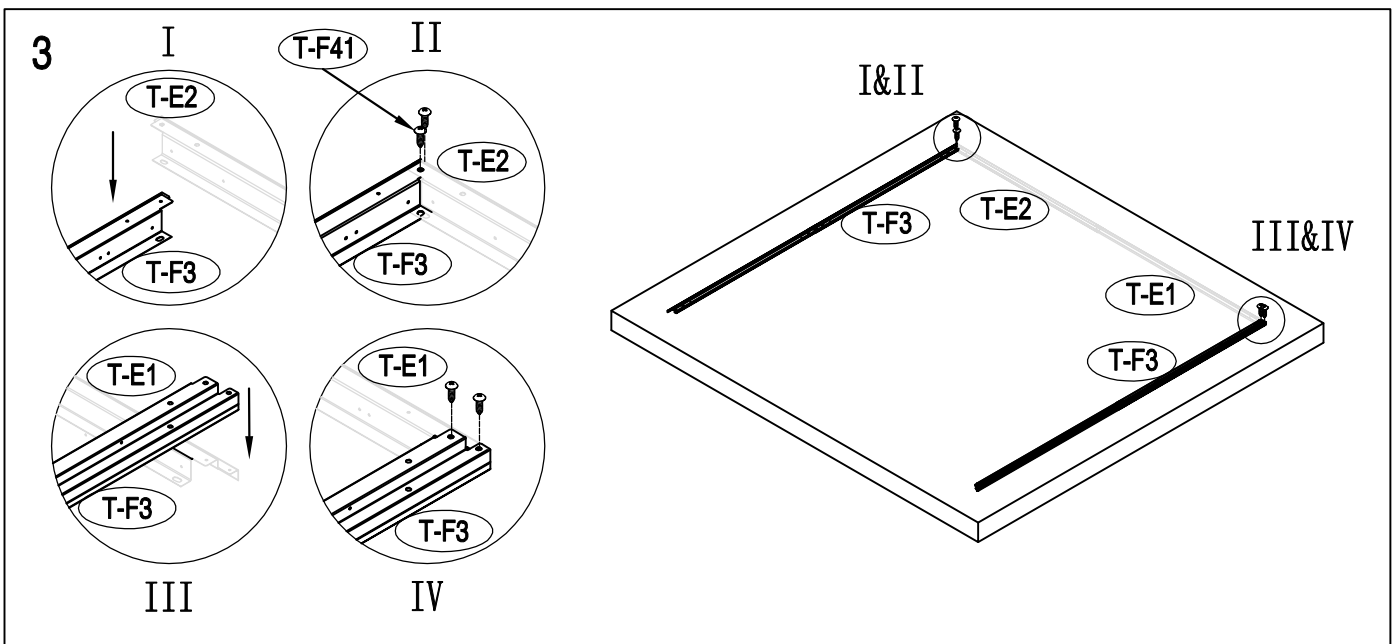
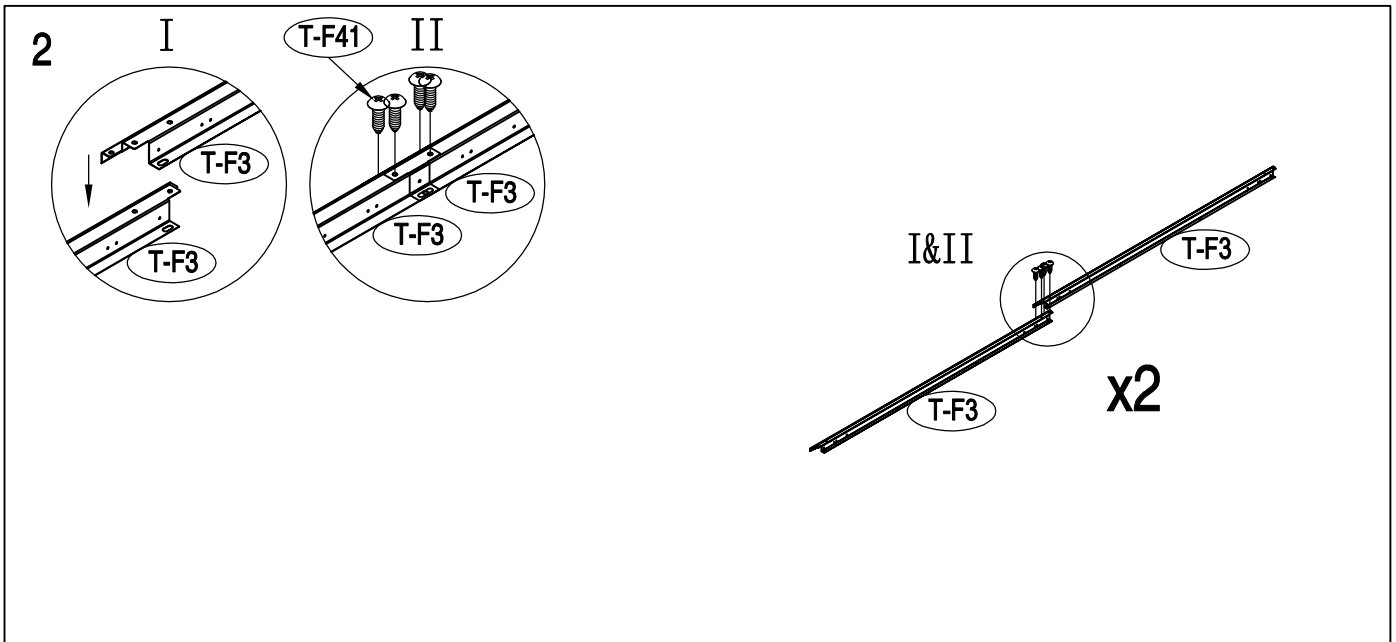
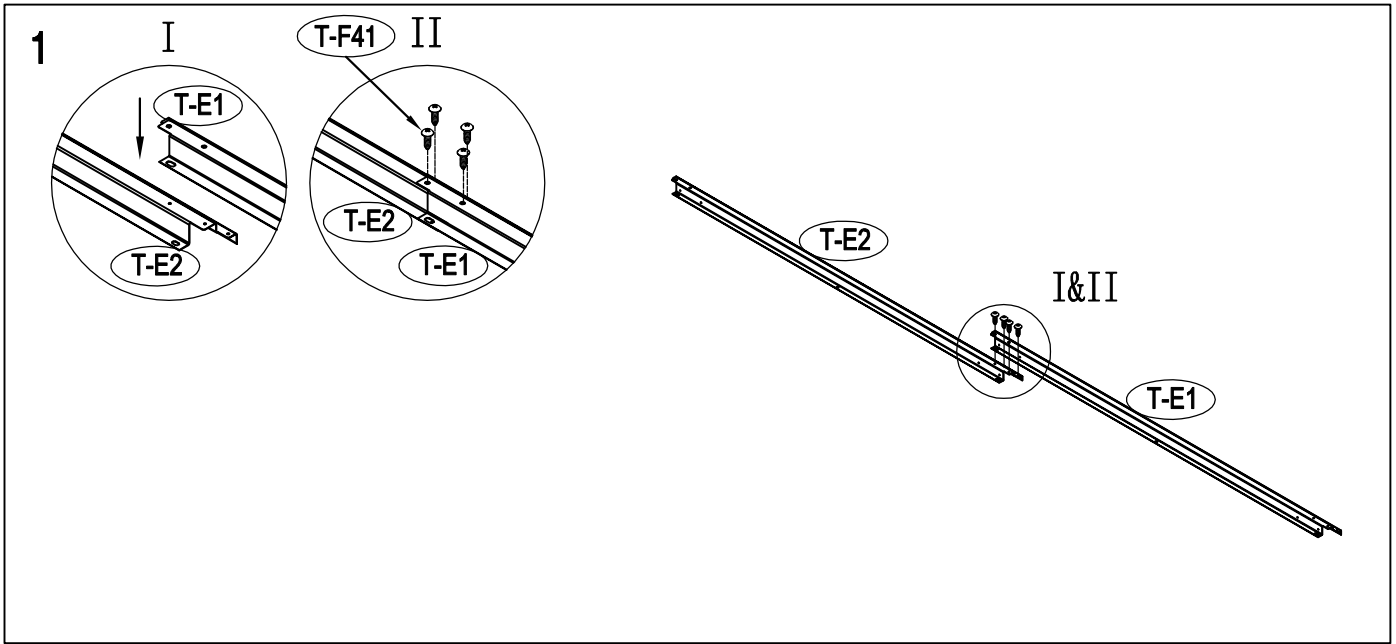
Pressure Treated-Wood Studs:
50mmX101.6mmX3020mm.....(8)

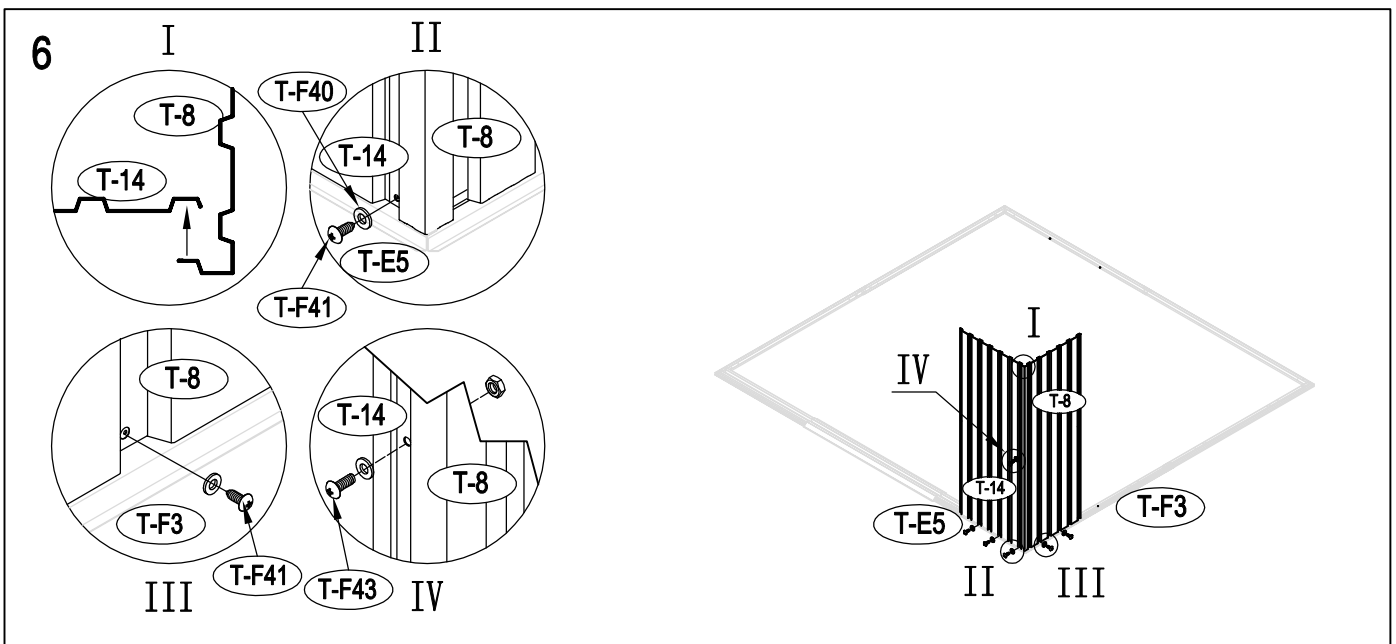
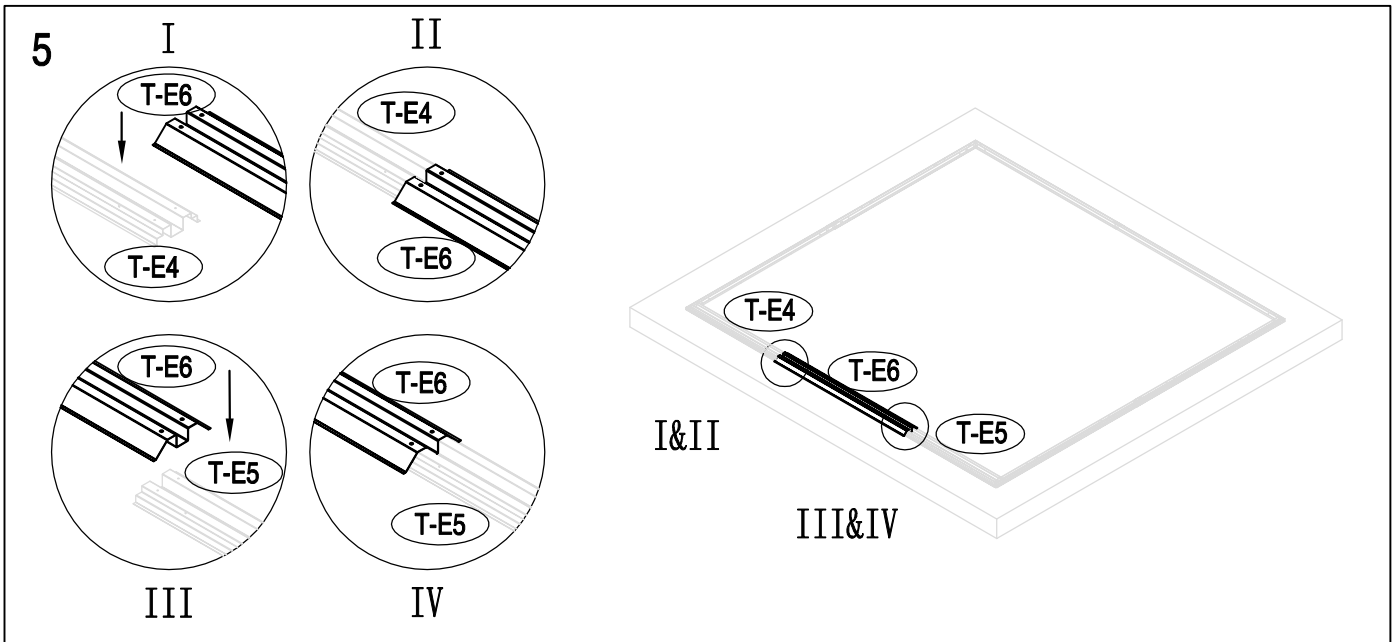
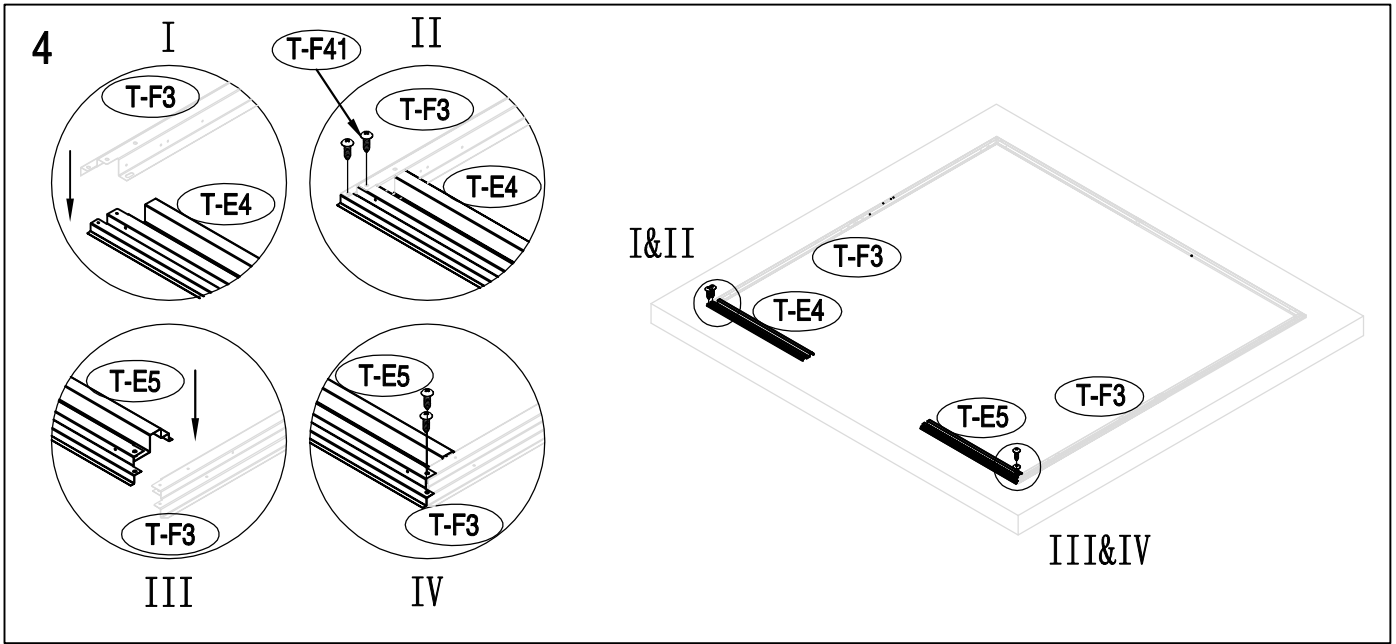
Exterior Grade (CDX-19mm) plywood
19mmX1200mmX2440mm.....(2)
19mmX580mmX2440mm.....(1)
19mmX783mmX1800mm.....(1)
19mmX783mmX1220mm.....(1)

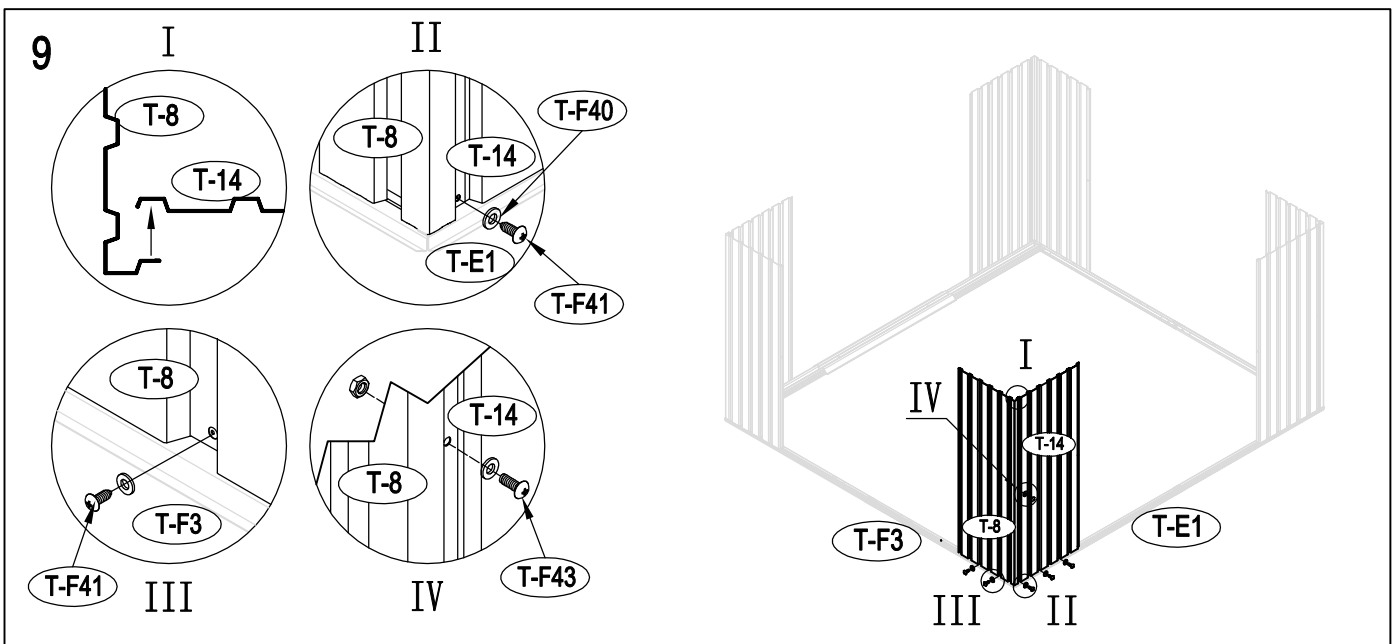
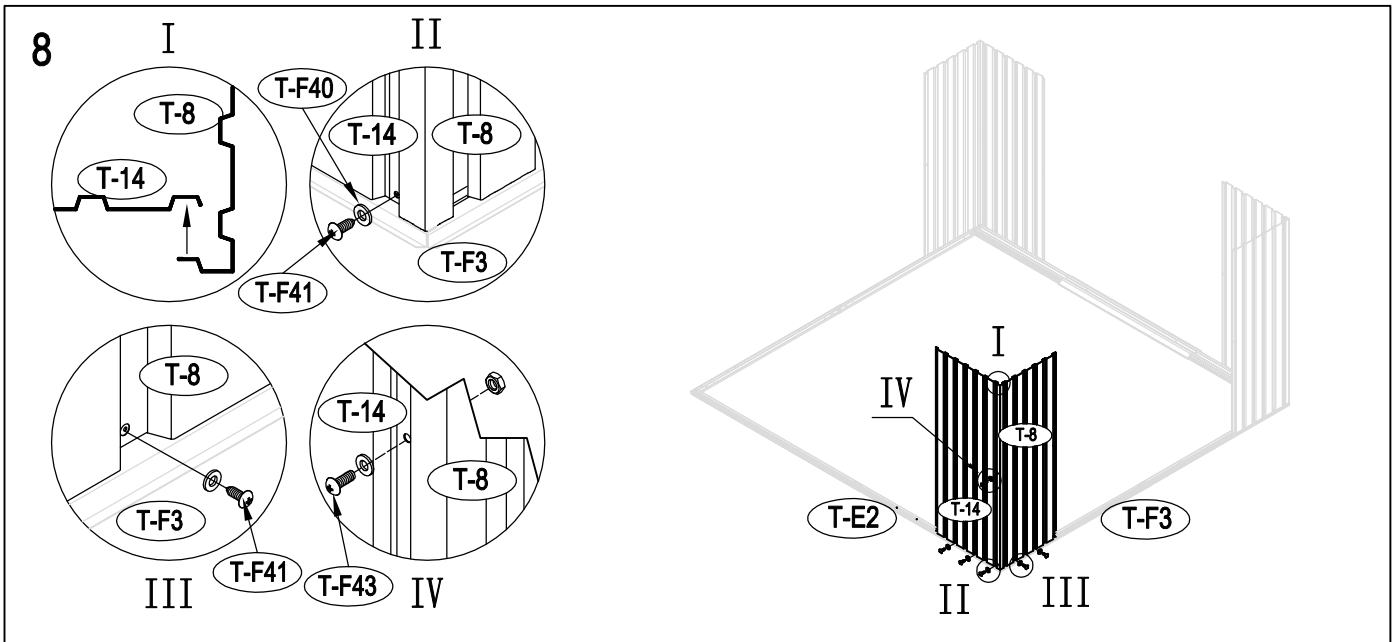
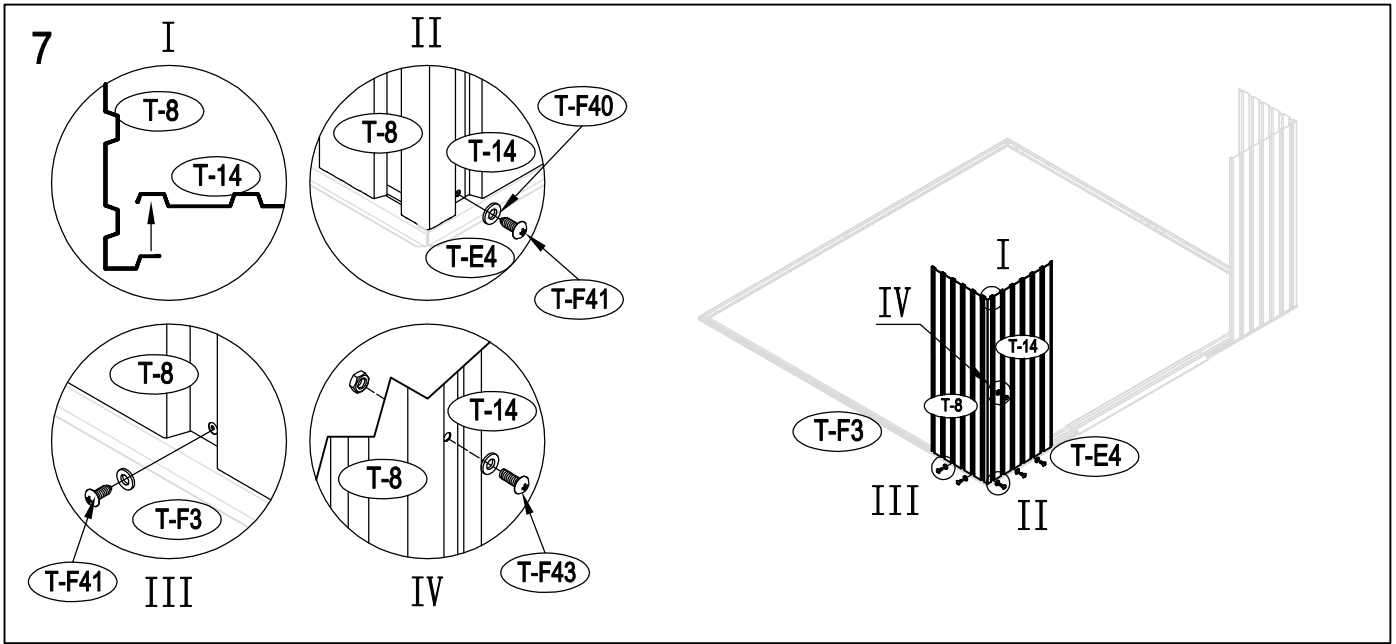
We recommend to clear your metal shed of snow after each snowfall.



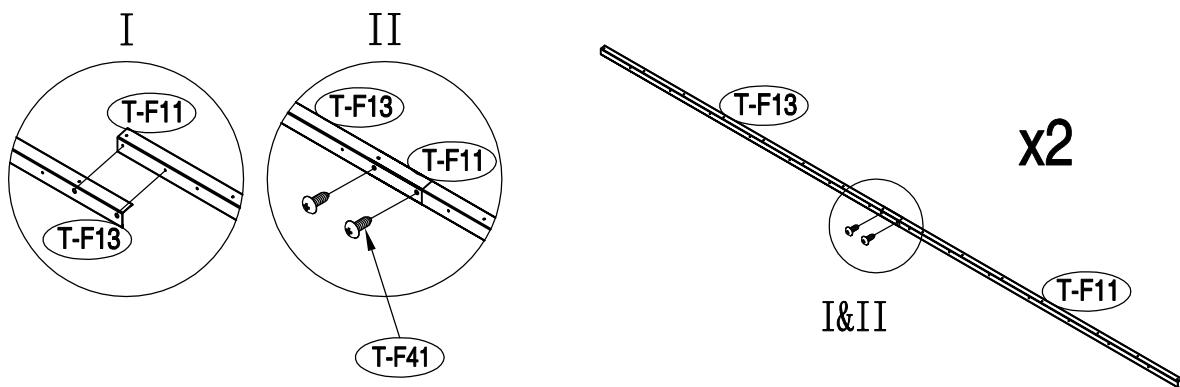
Important: Use hand gloves to prevent injury.



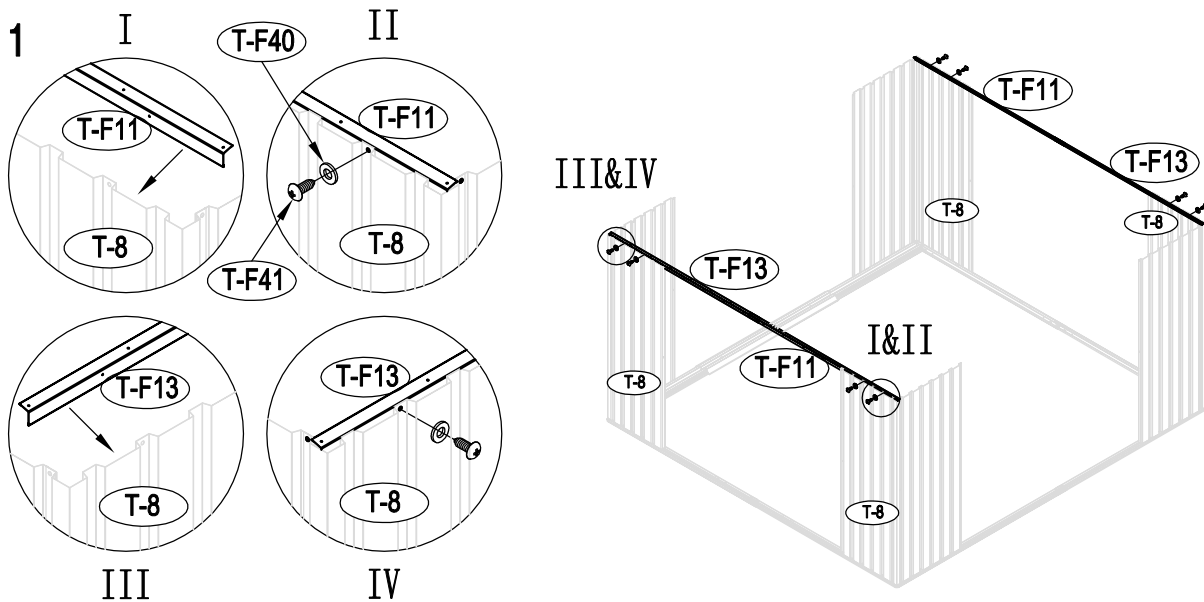




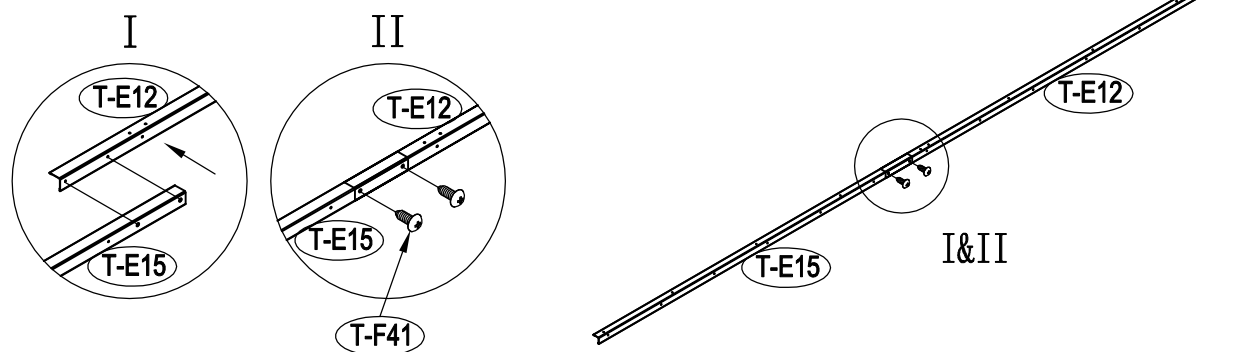
10

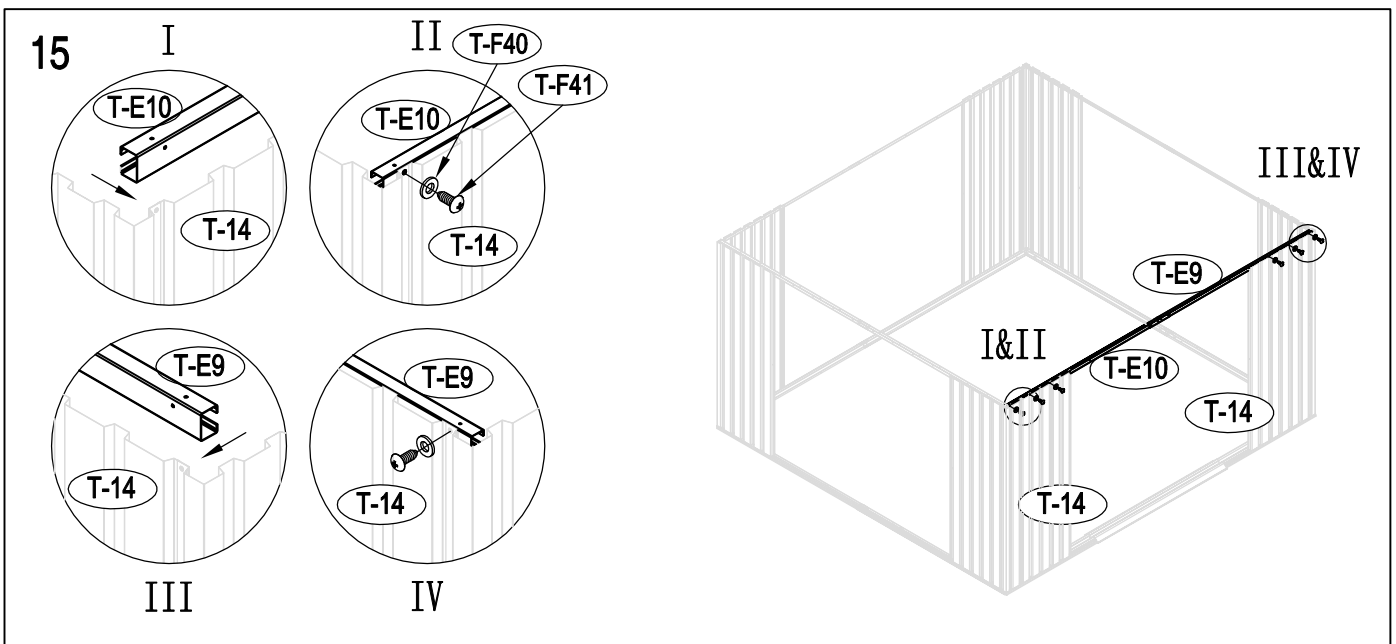
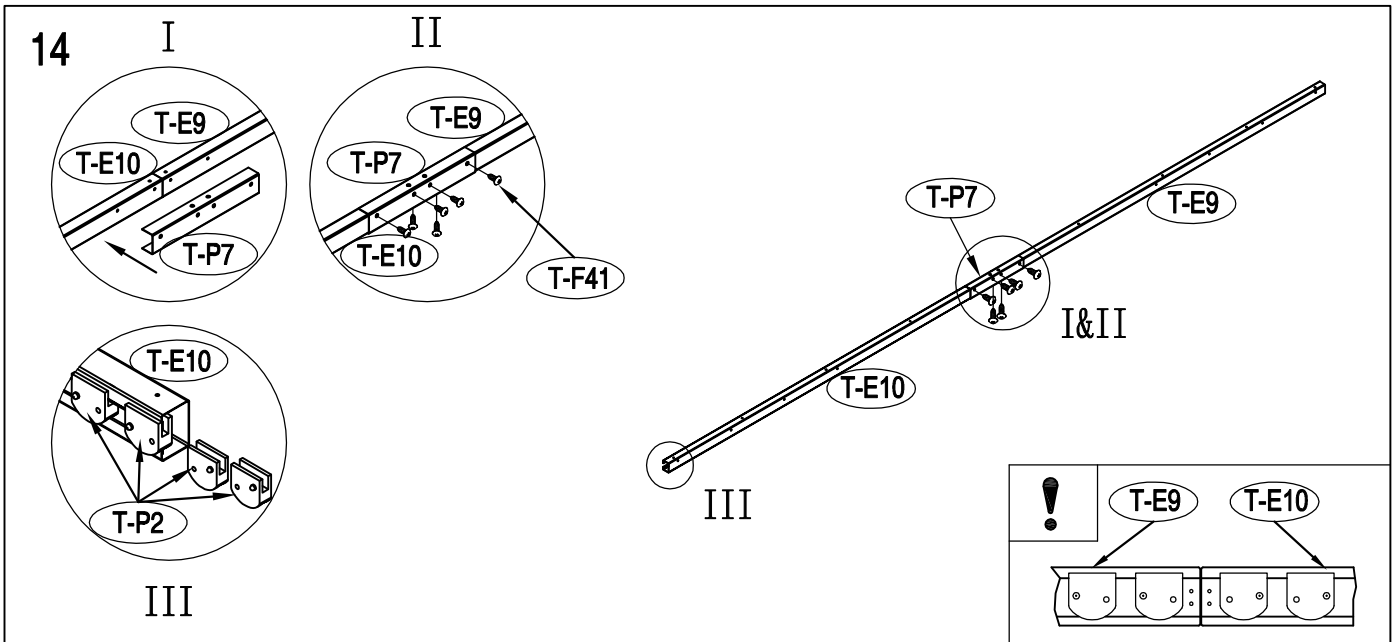
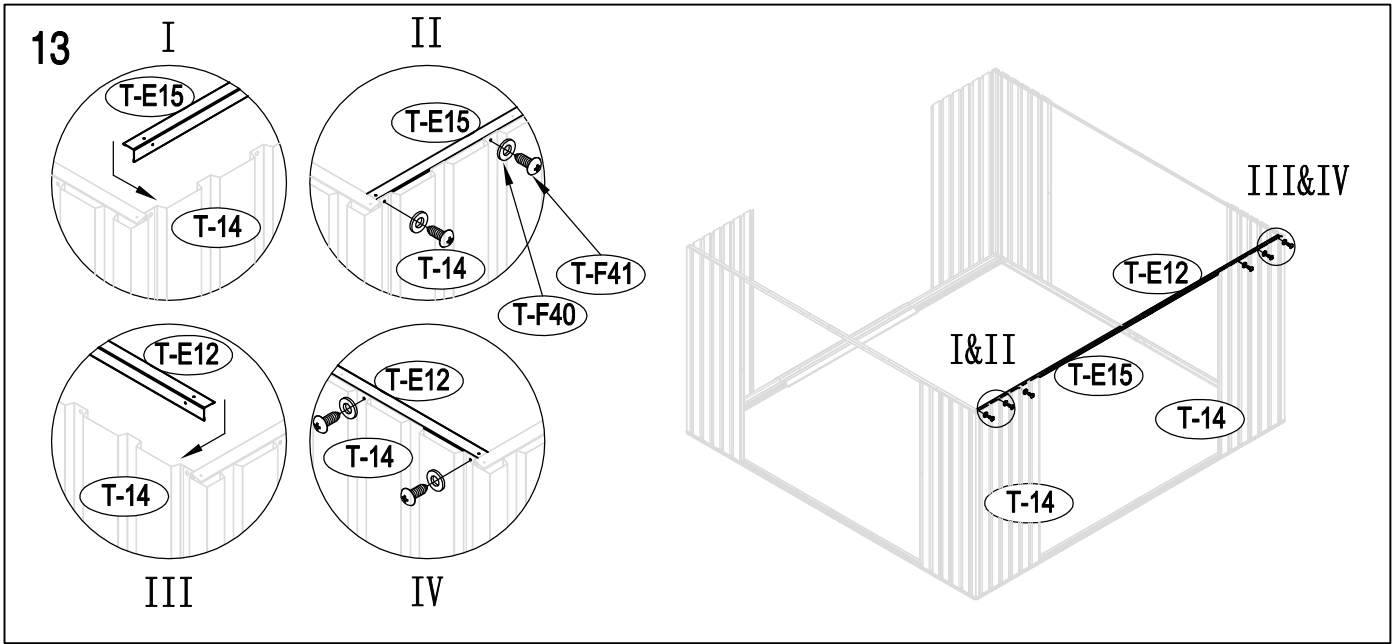


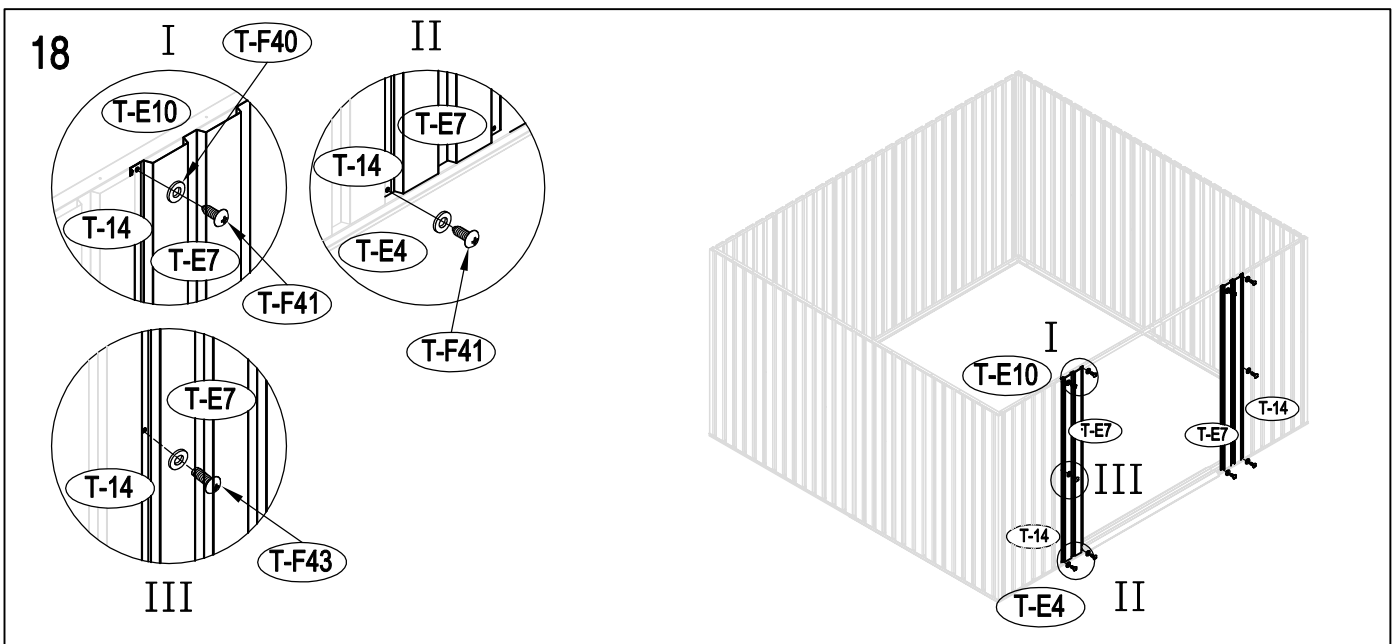
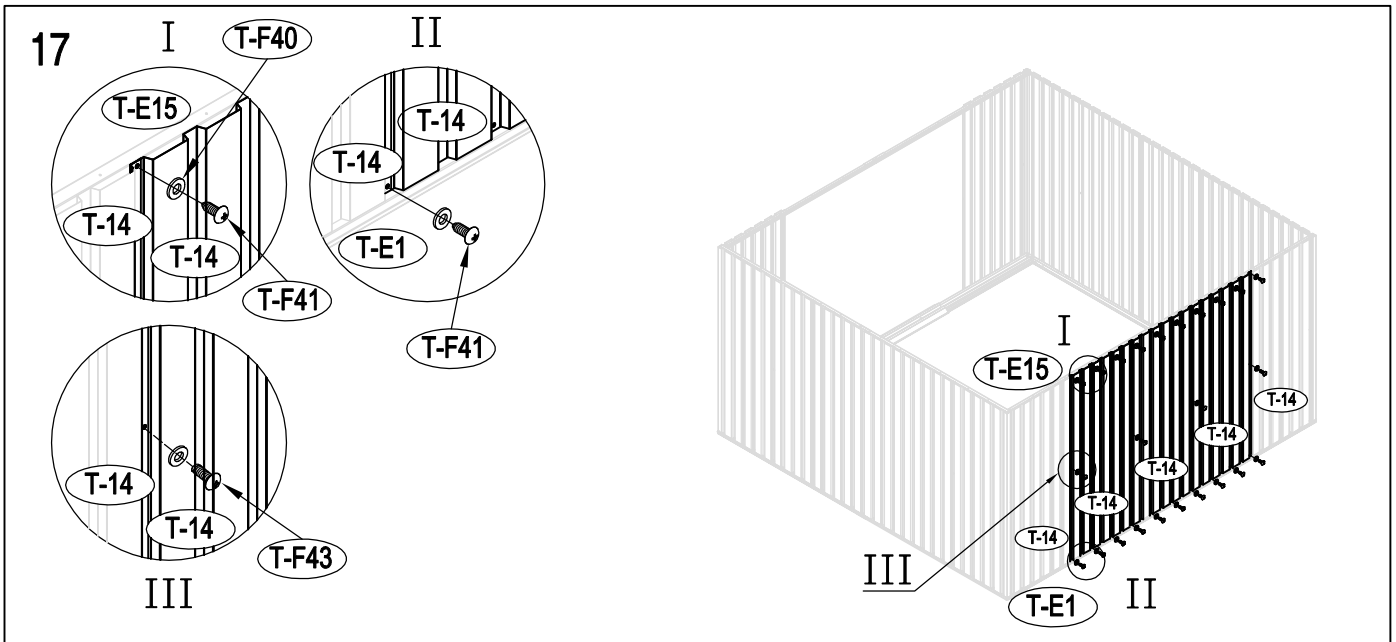
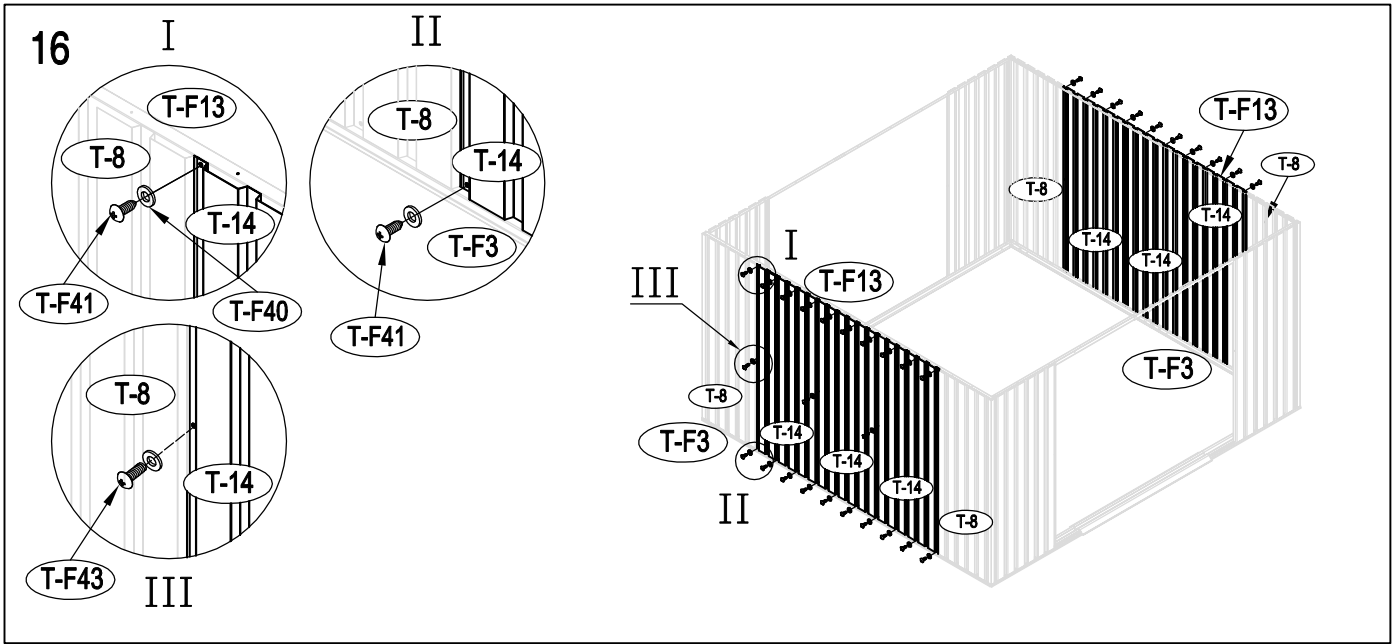
11

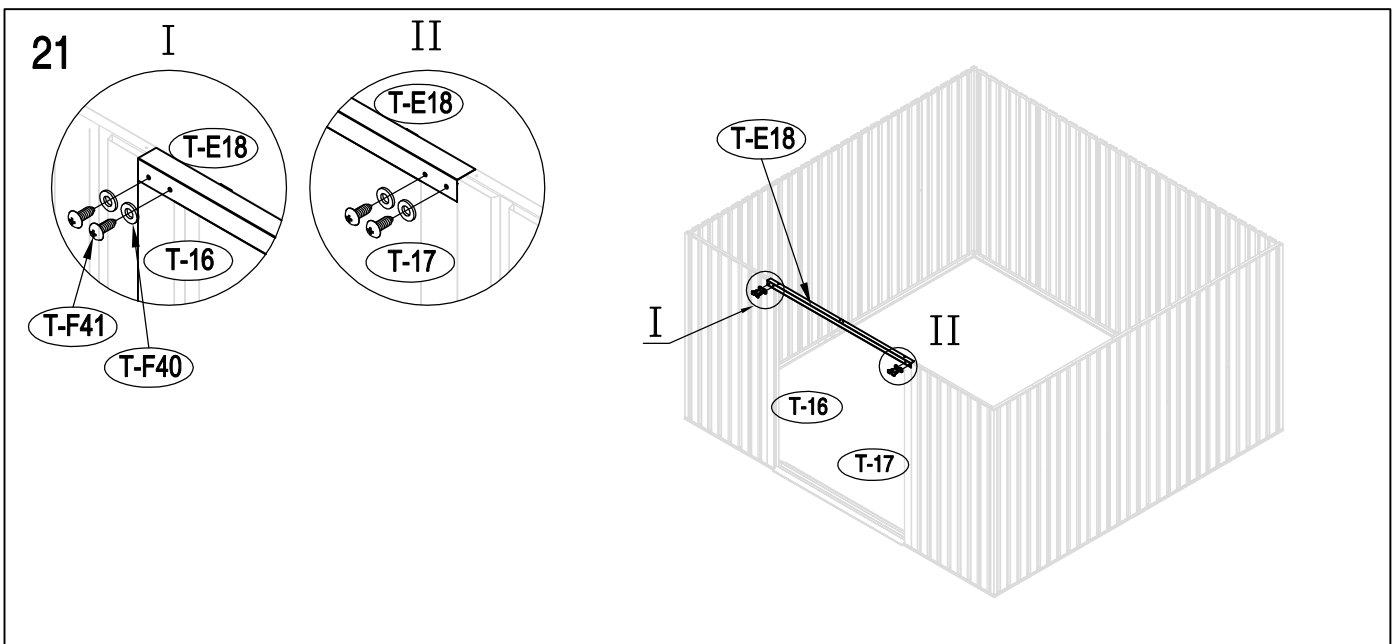
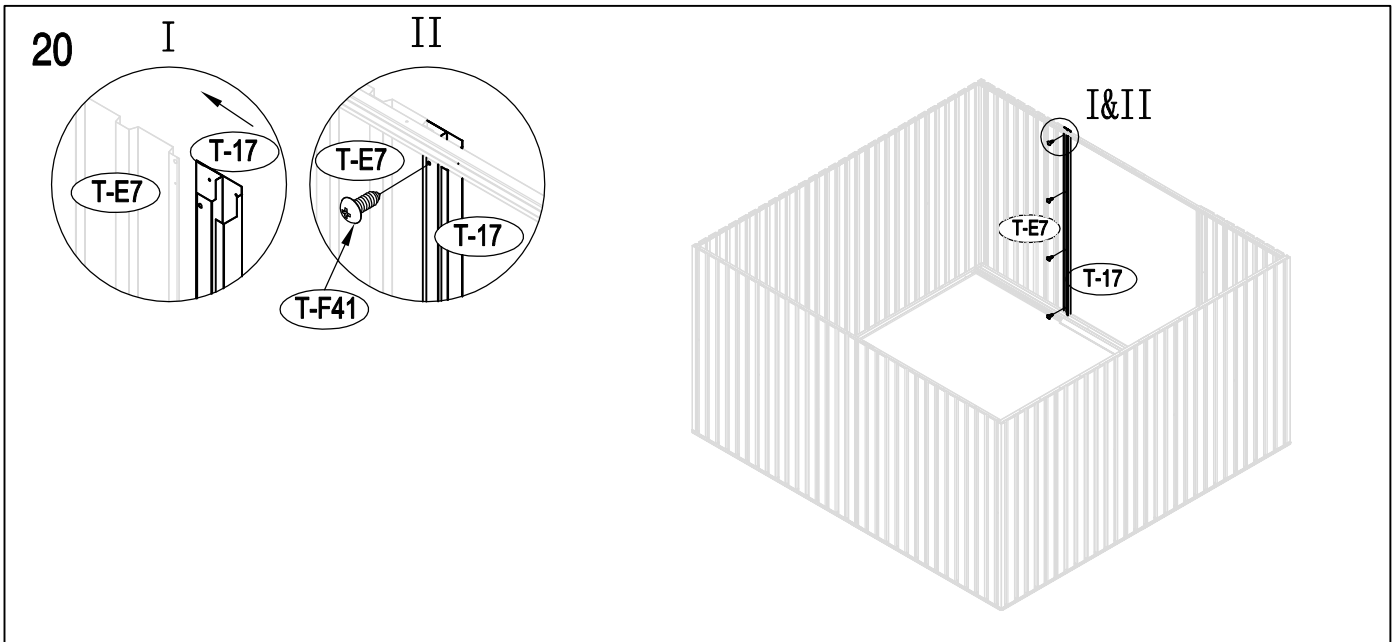
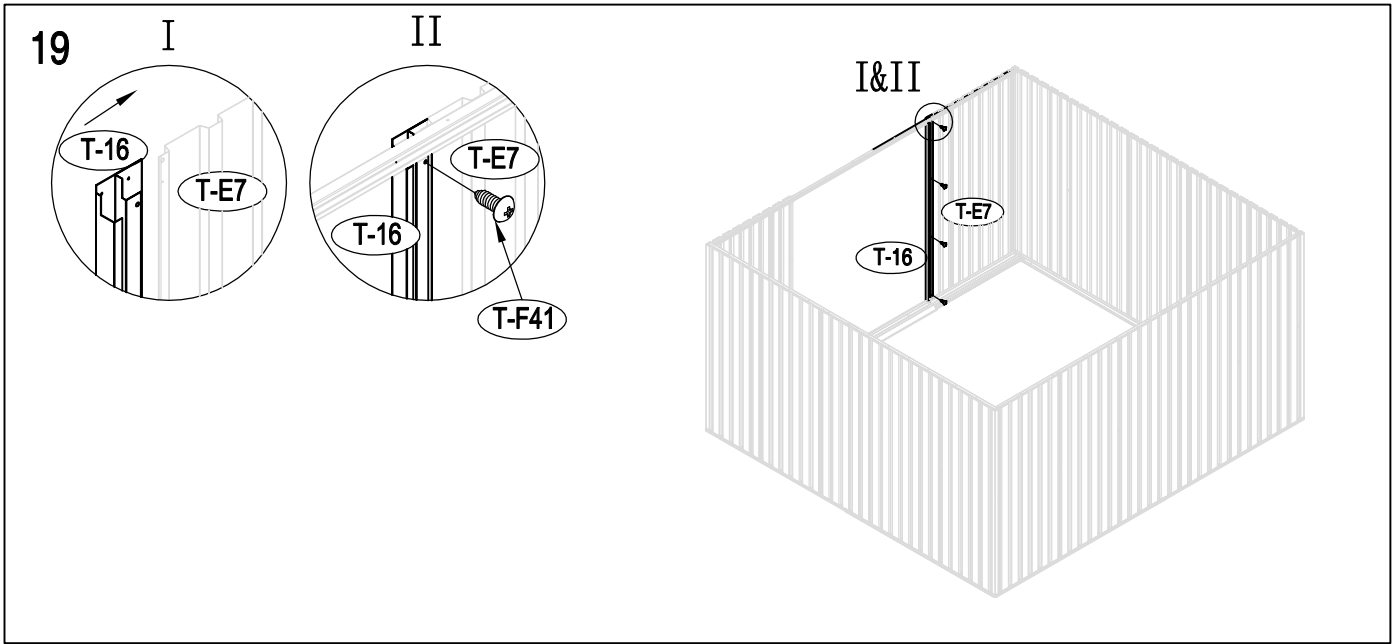


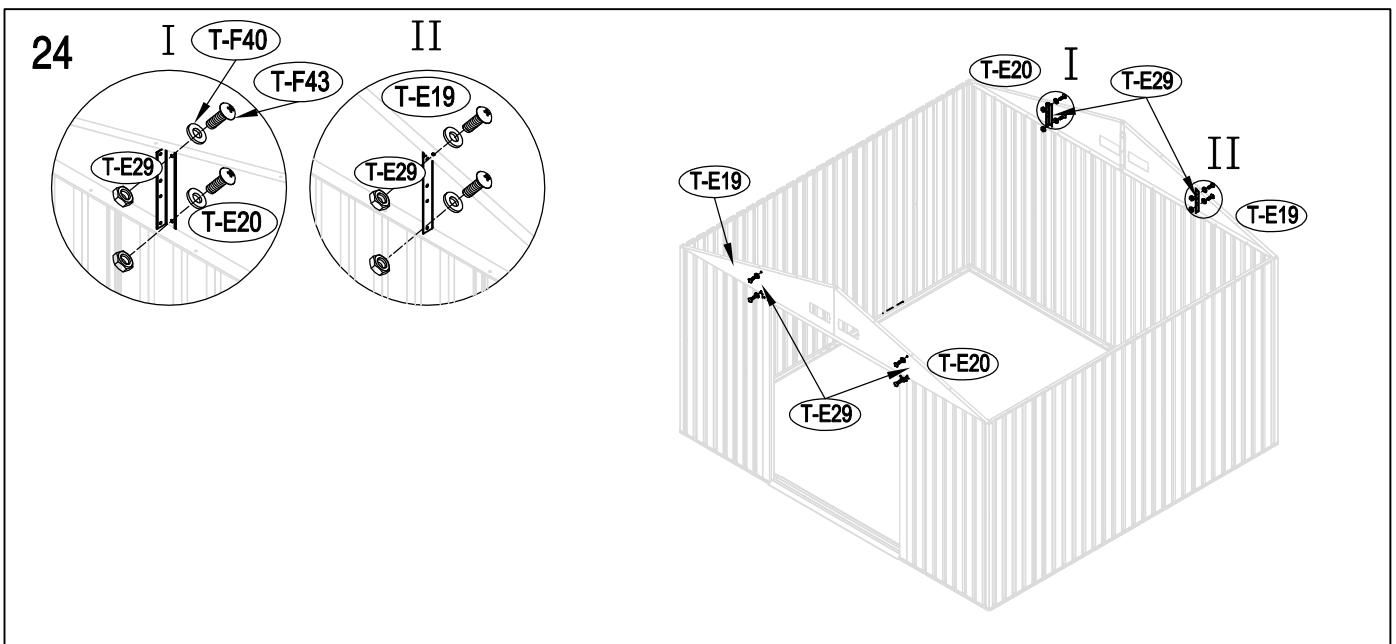
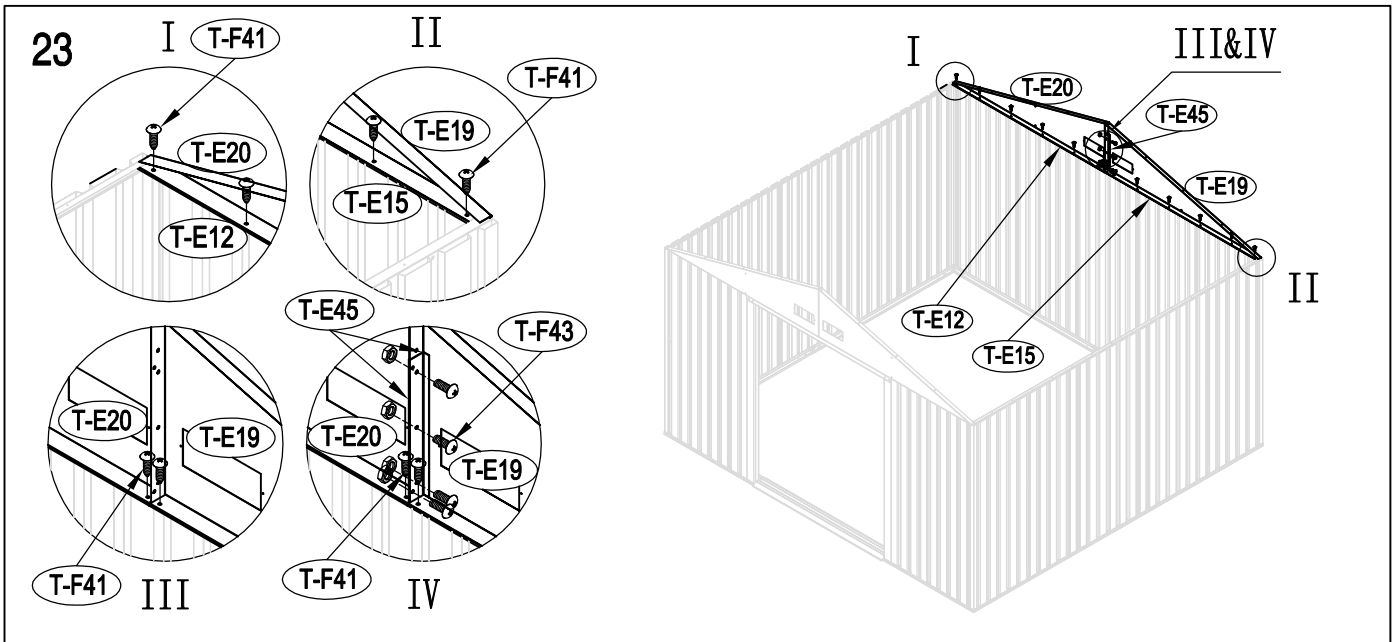
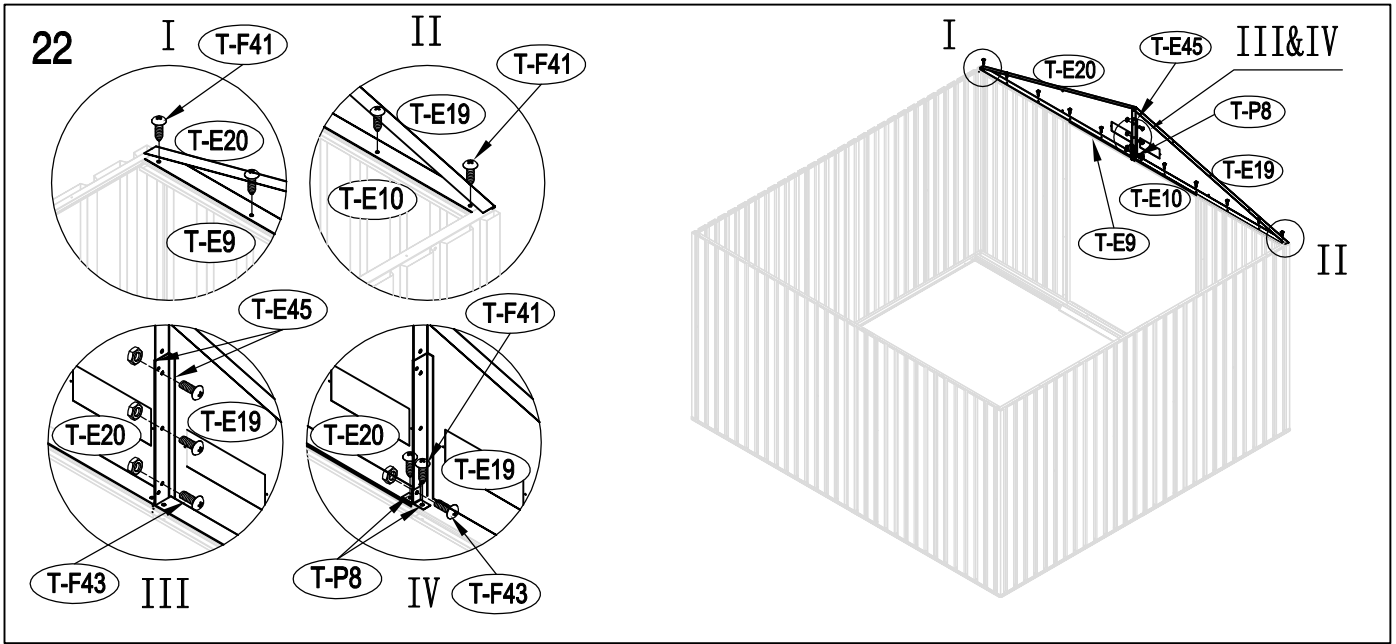
12



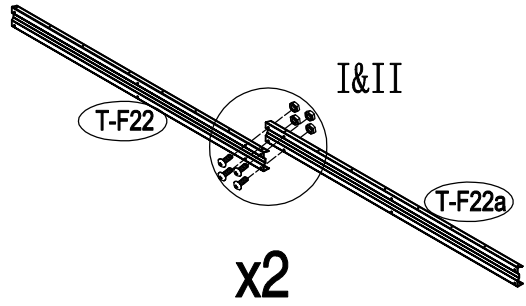
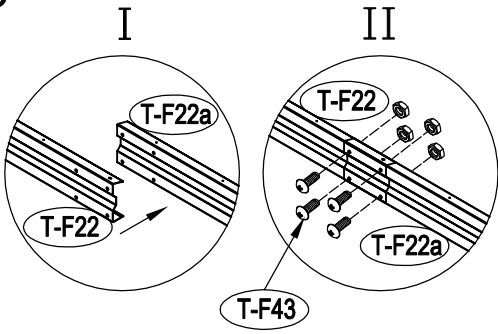




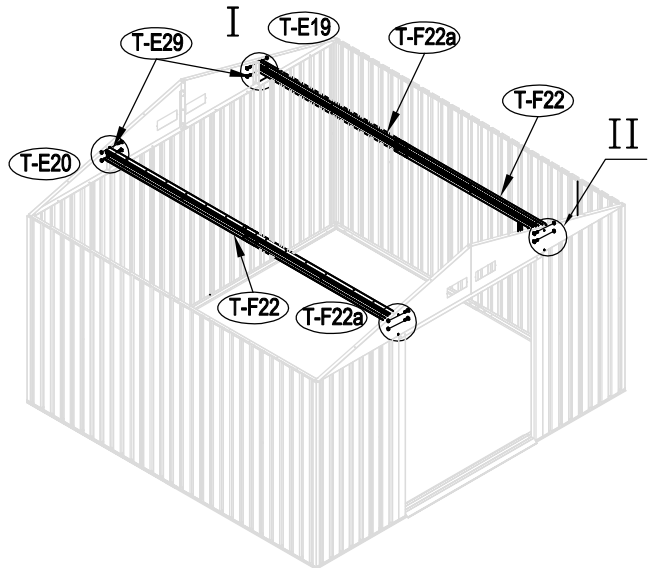
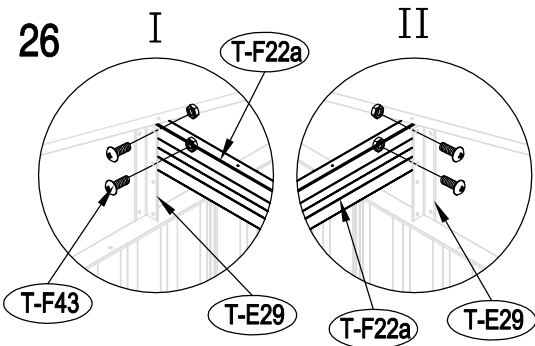




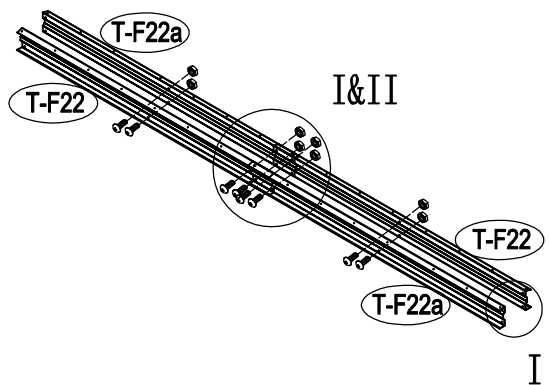
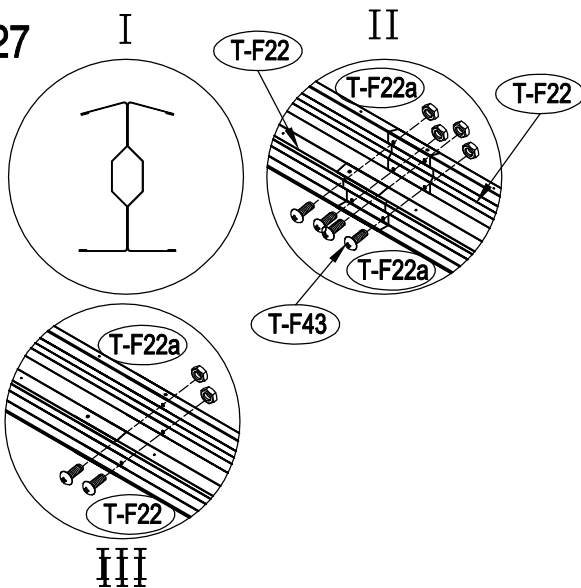
25

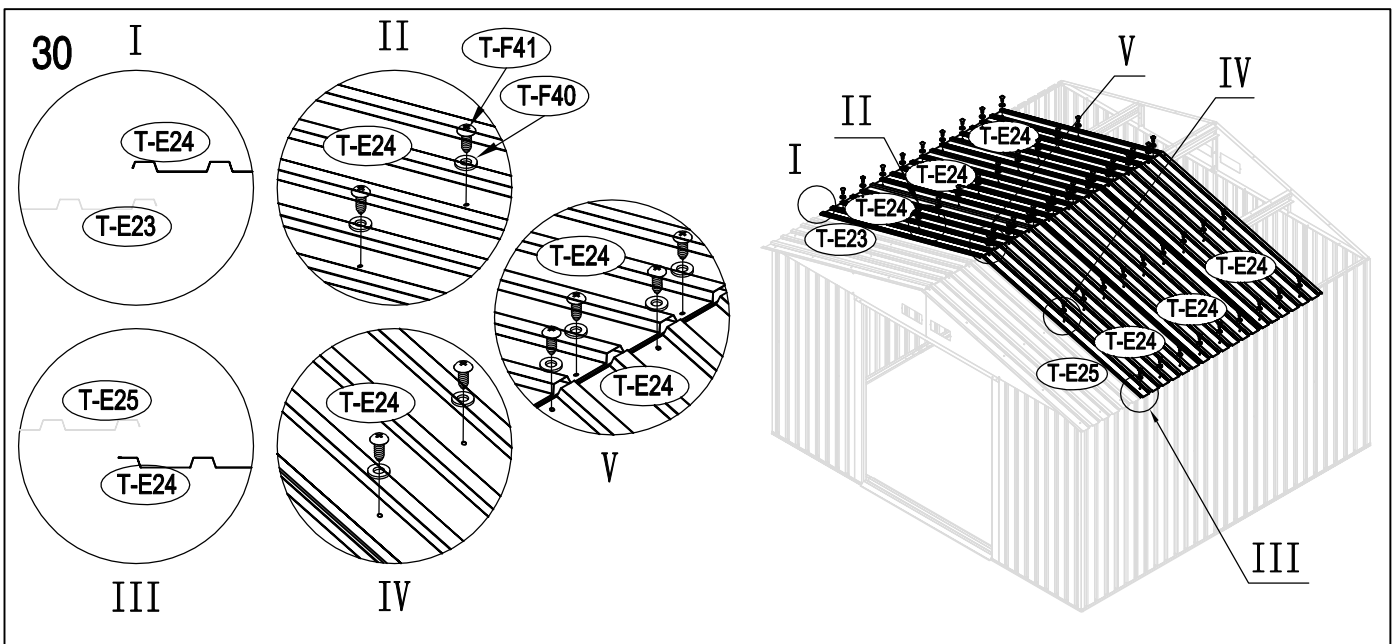
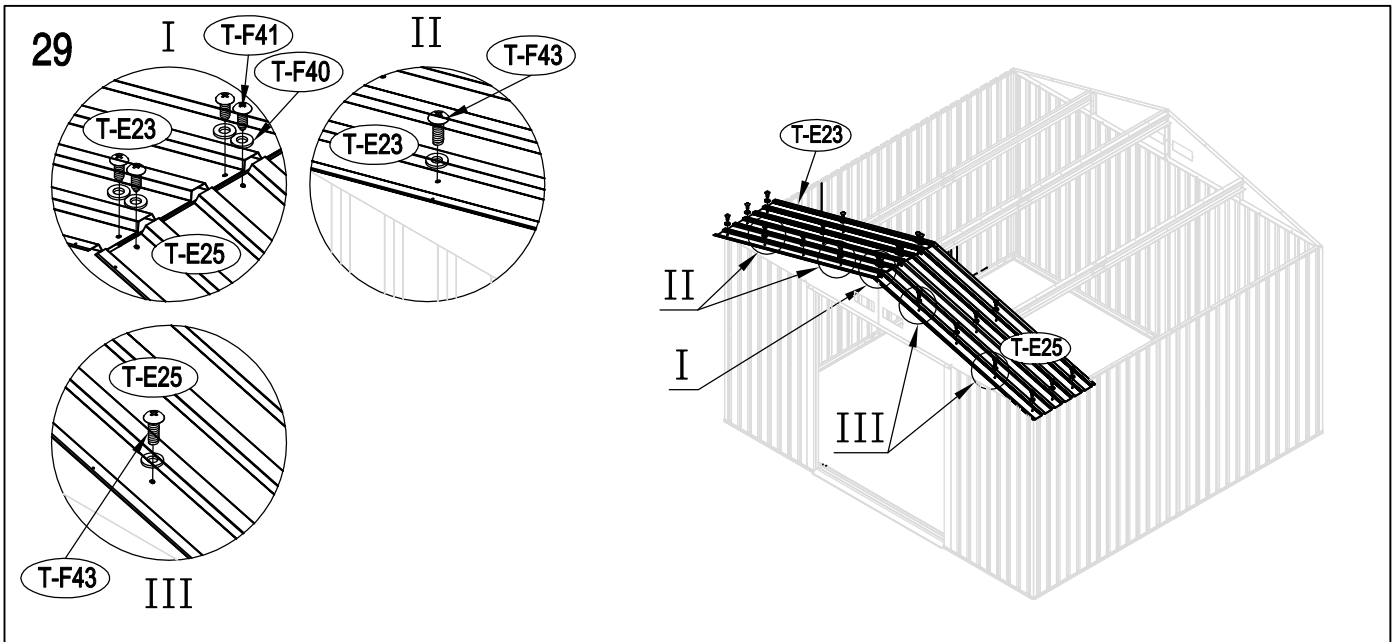
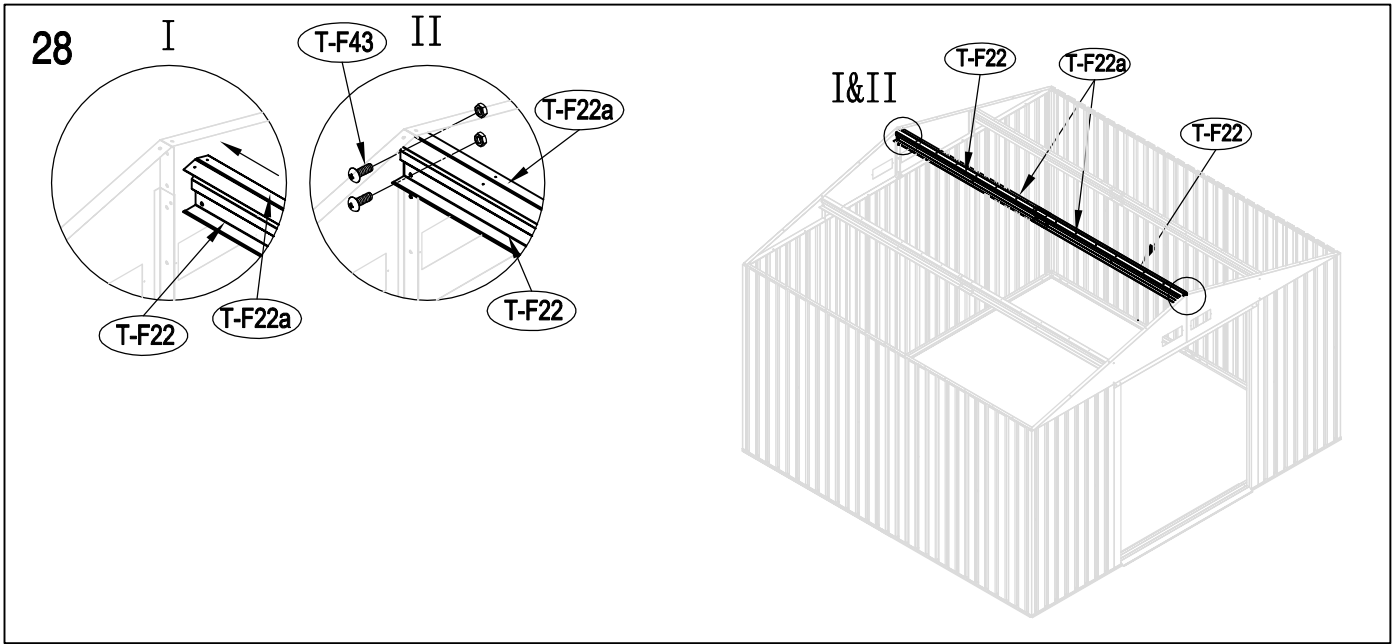


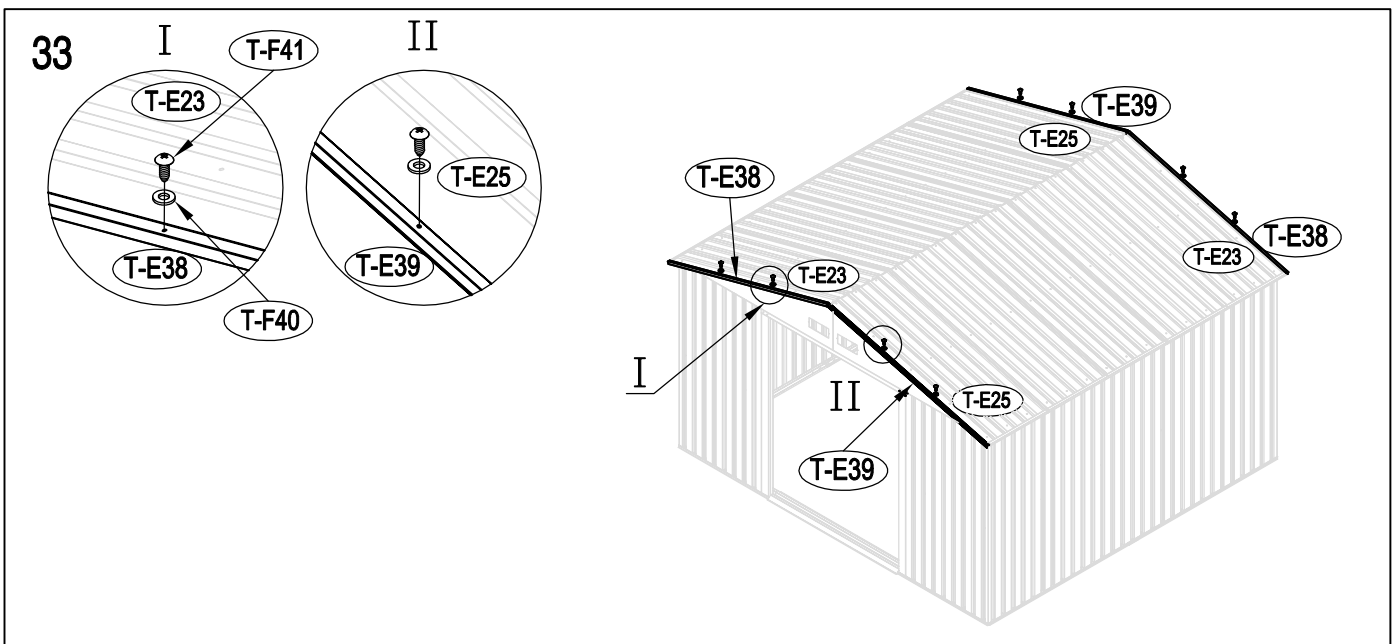
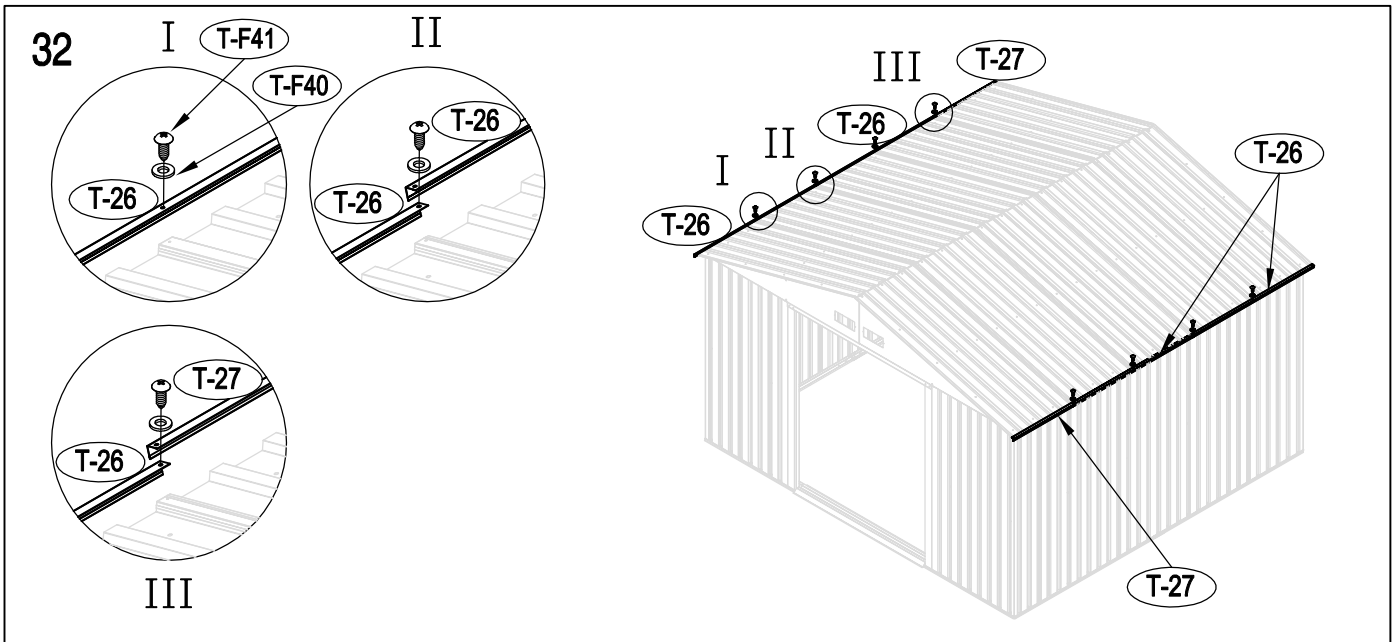
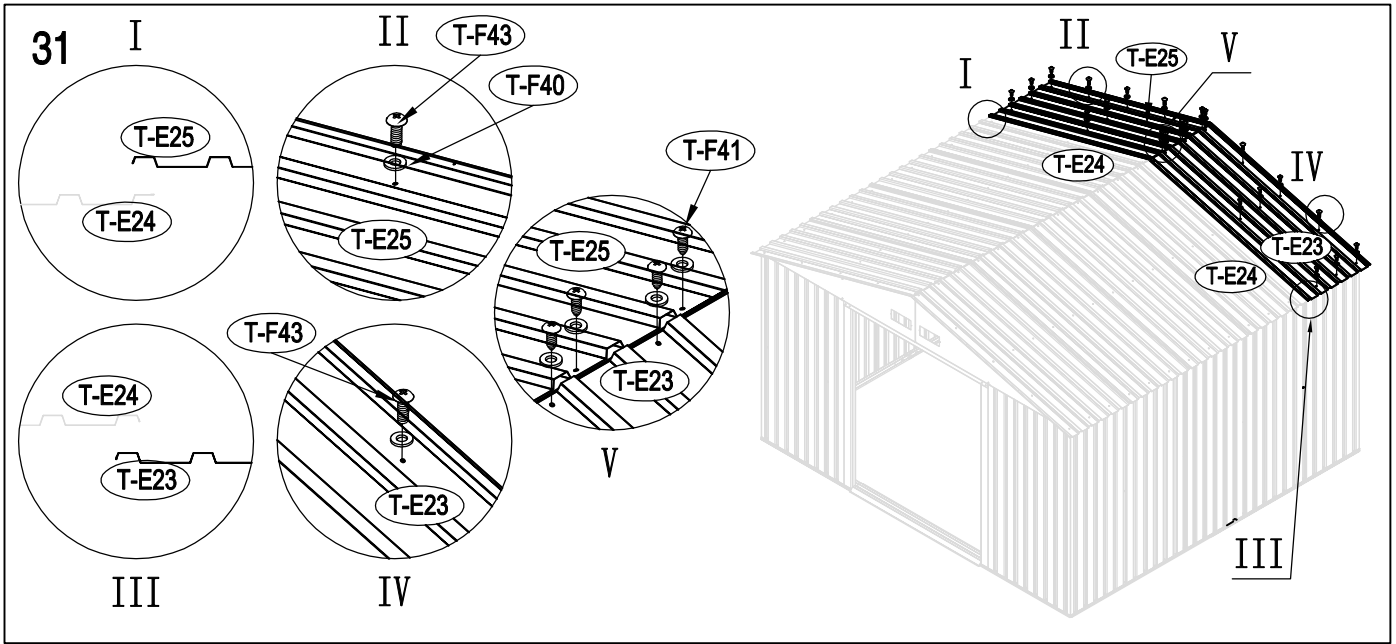
26



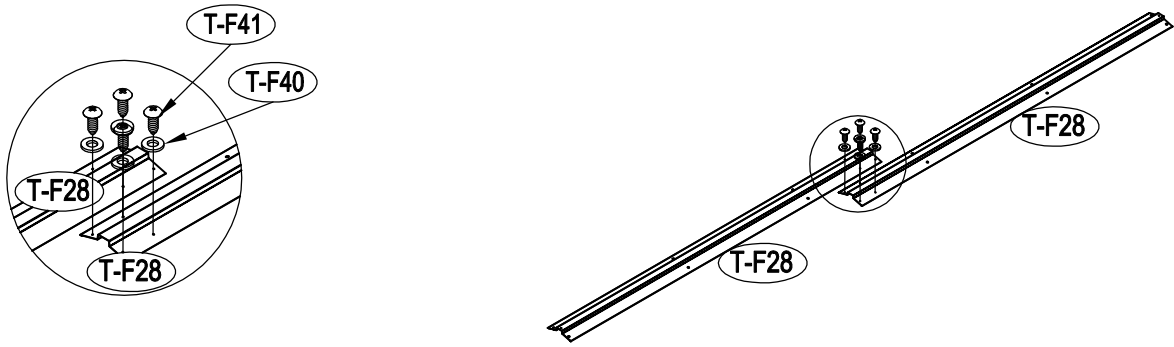
27



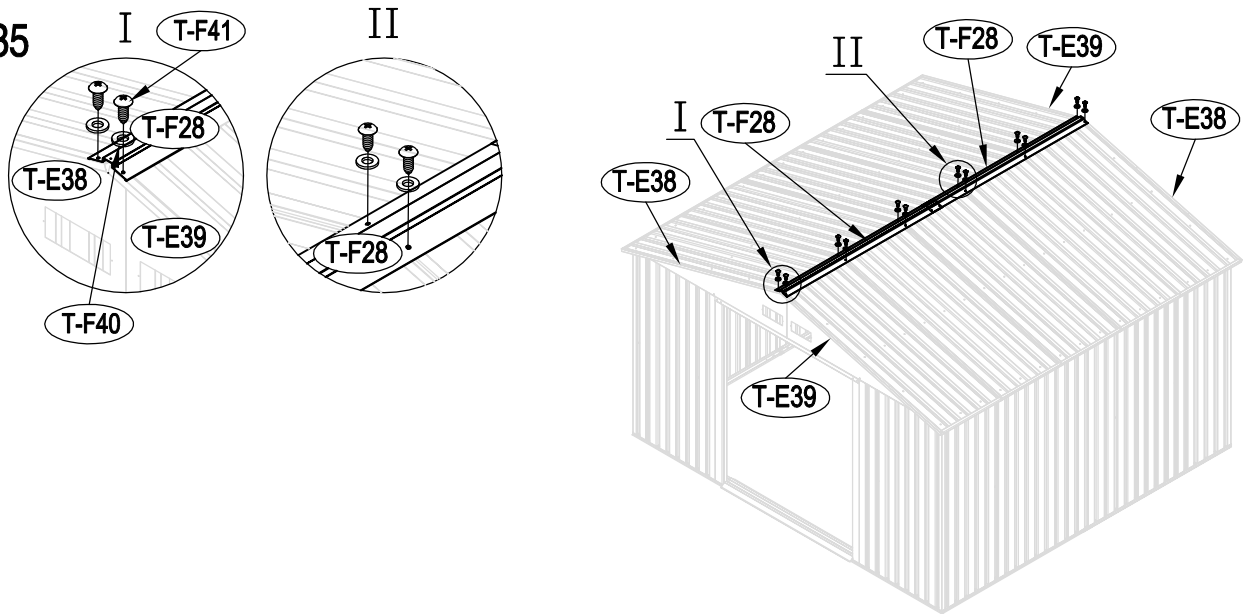




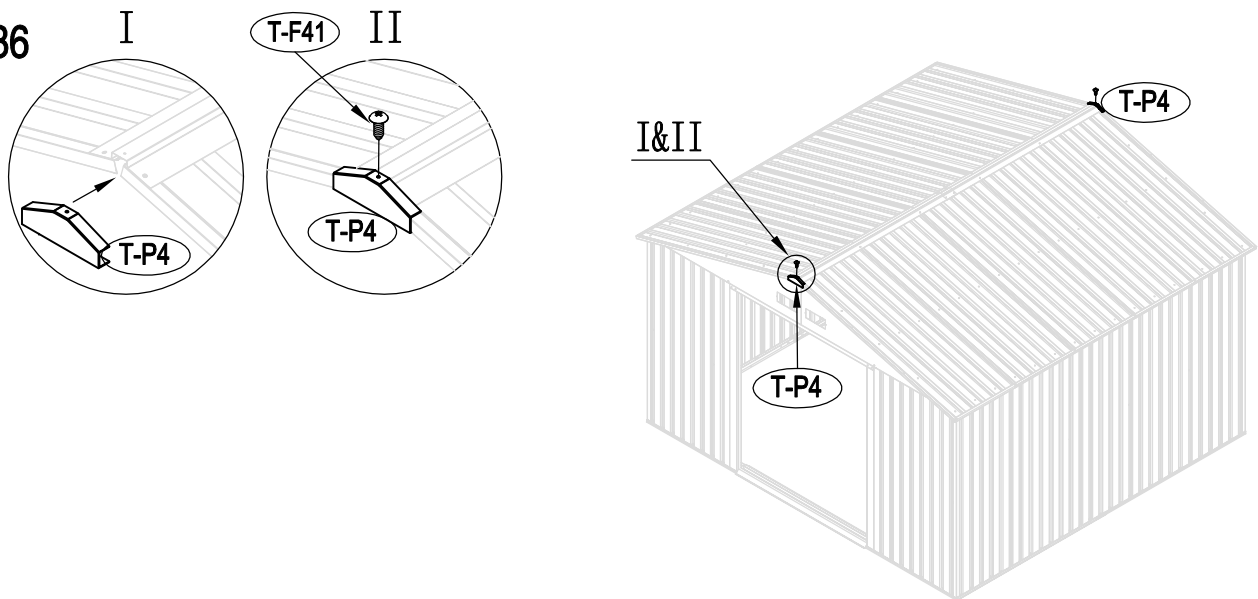
34



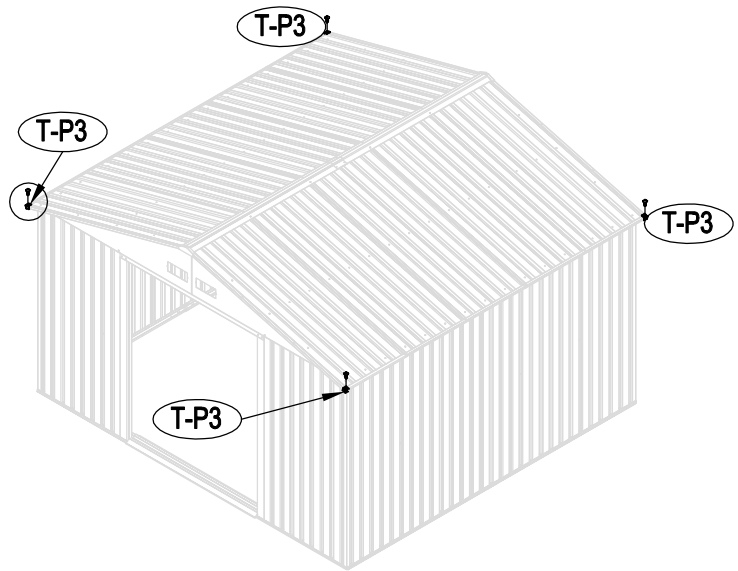
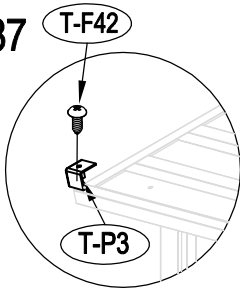
35



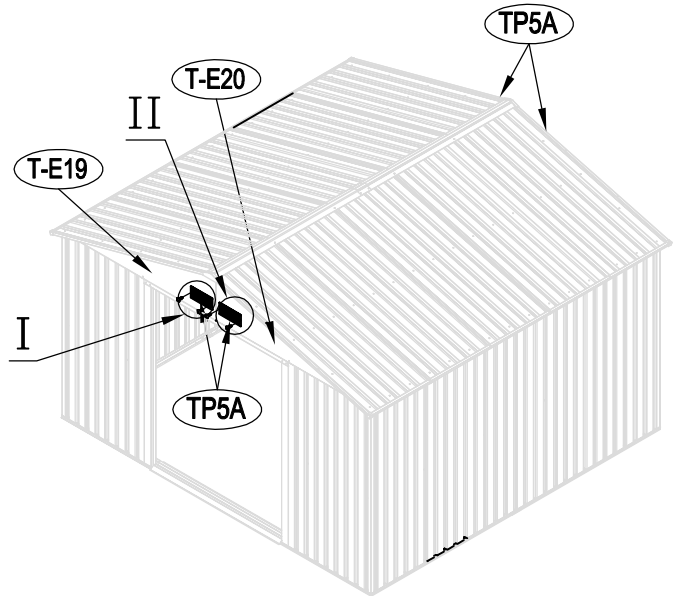
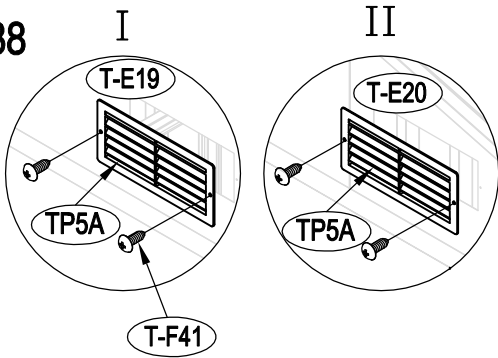
36



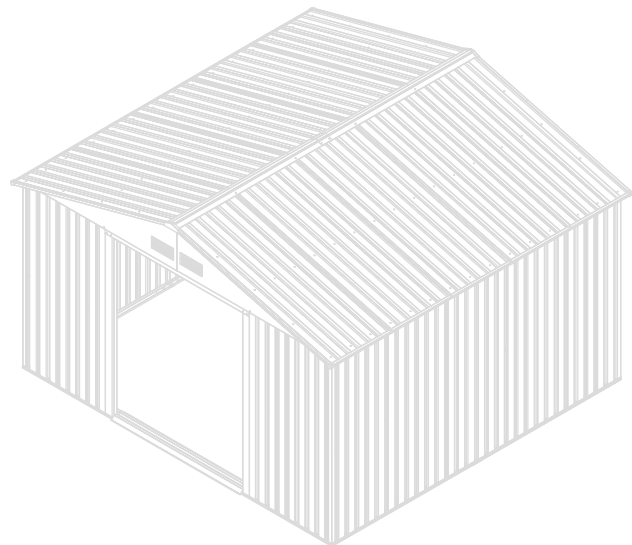
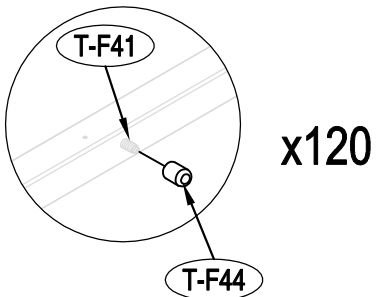
37



38



39



40

