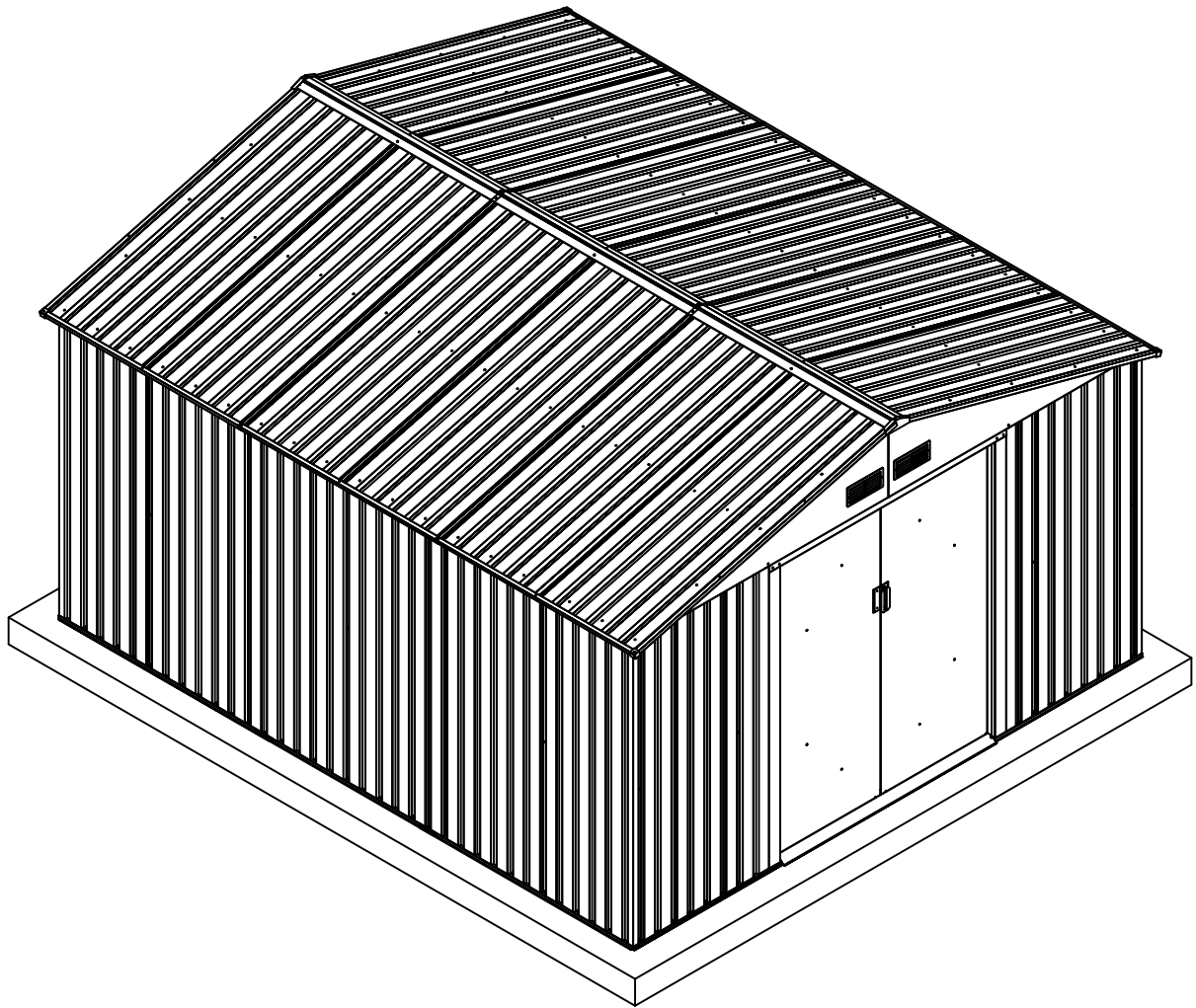


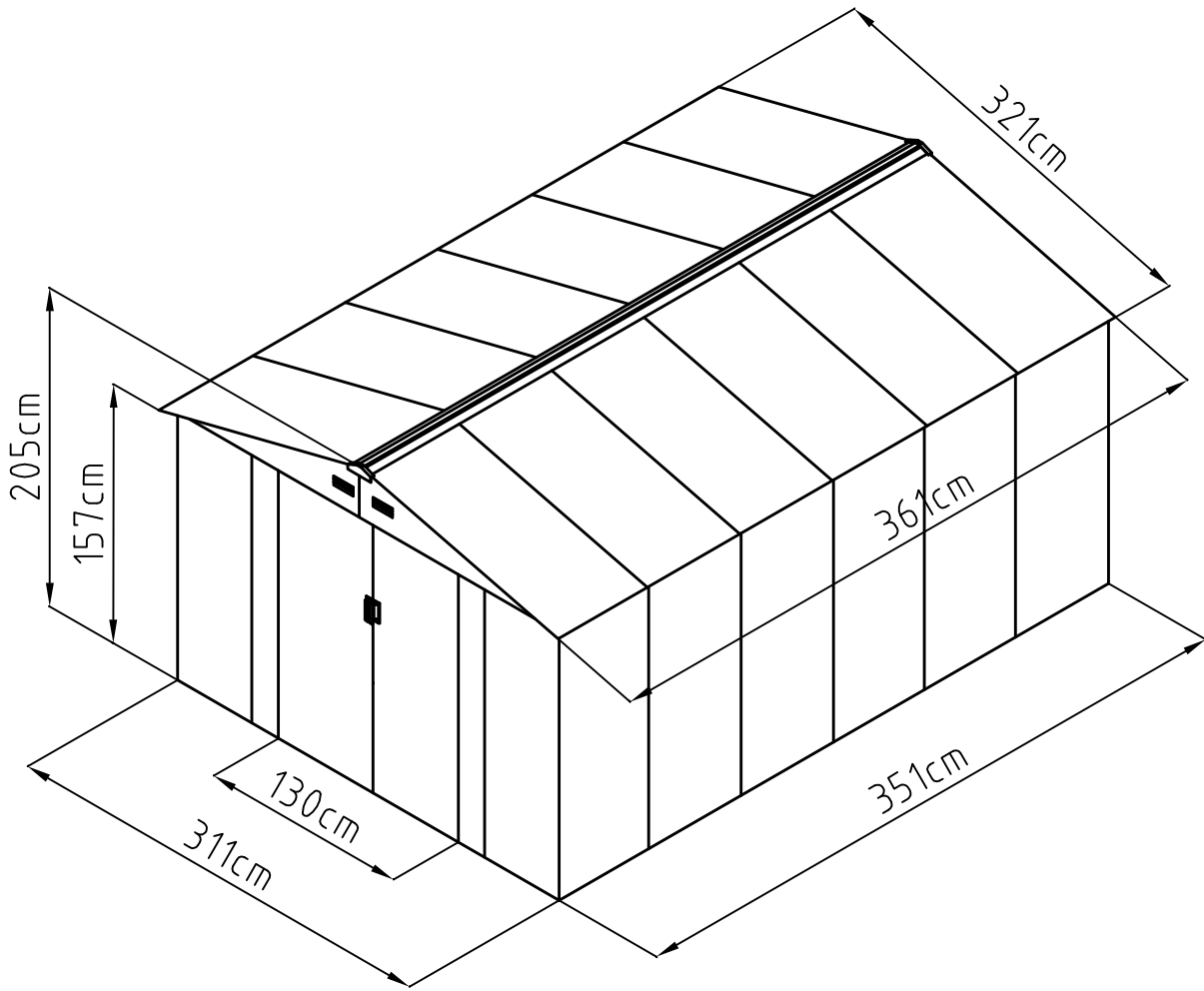
Metal Shed

OWNER'S MANUAL /
Instructions for Assembly S1001H

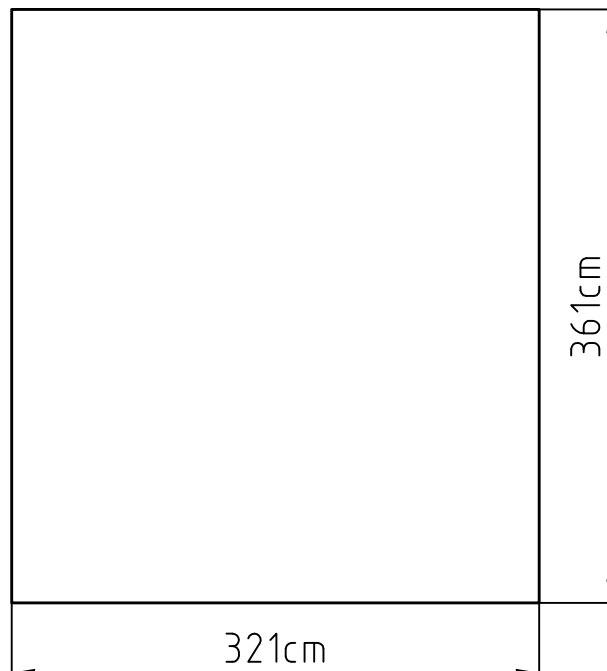


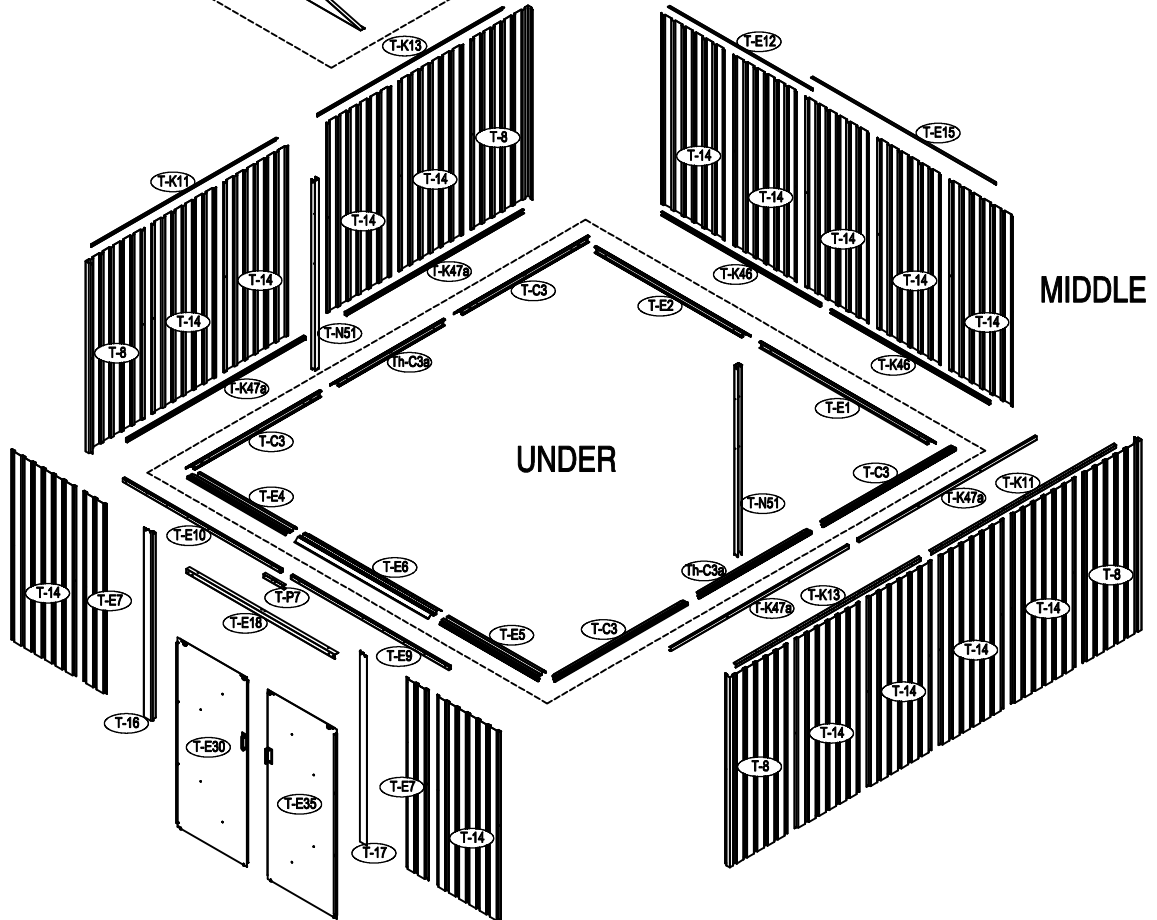
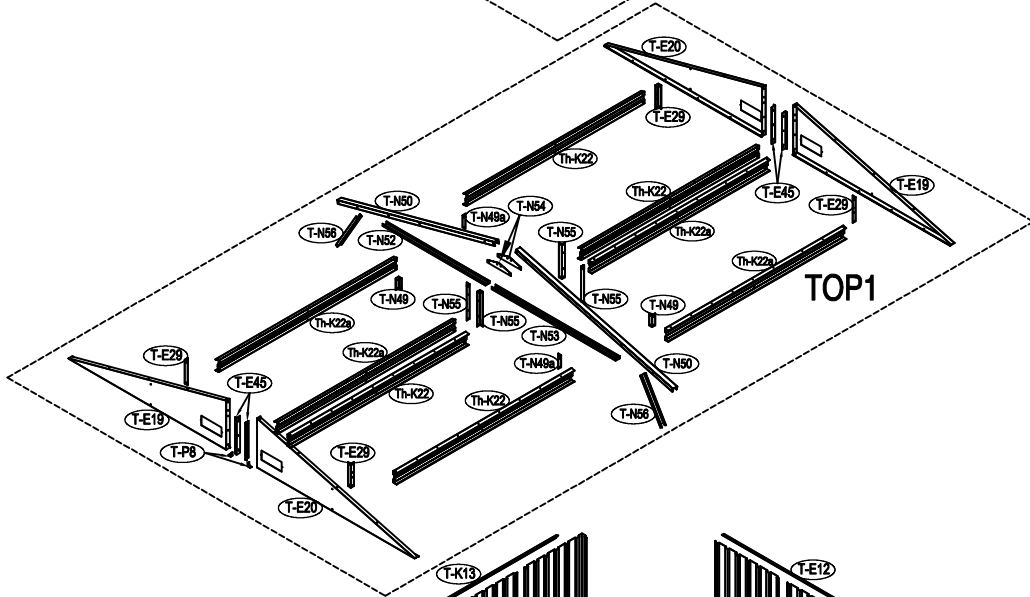
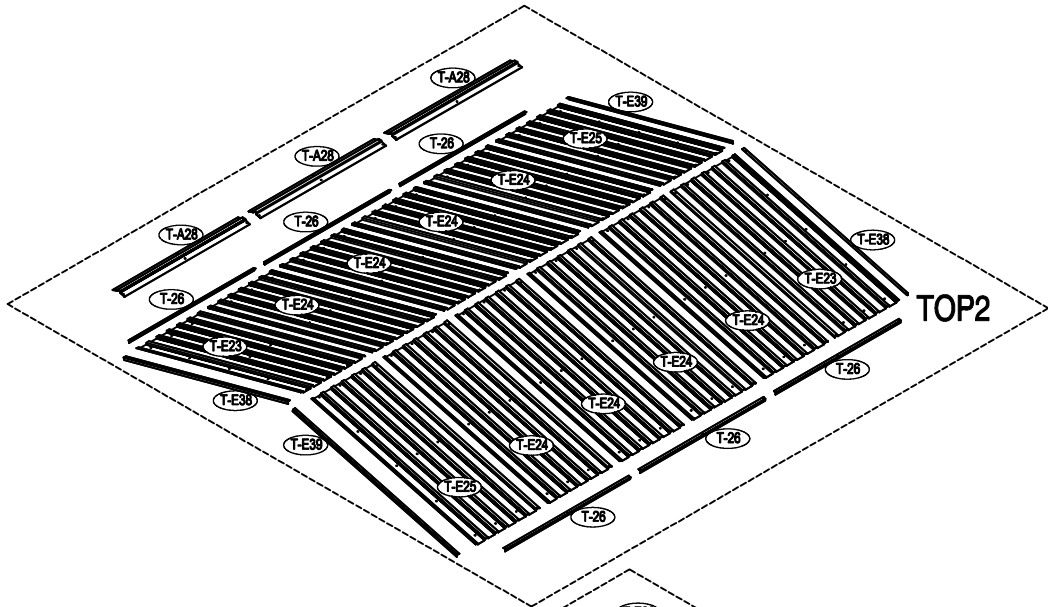
Requires two people and takes 3-4 hours for Installation.

Size of S1001H



Area of installation requirement:





NO.	IMAGE	mm	Qty
UNDER			
T-E1		1702	x1
T-E2		1502	x1
T-C3		1302	x4
Th-C3a		1102	x2
T-E4		960	x1
T-E5		960	x1
T-E6		1295	x1
MIDDLE			
T-E7		1600	x2
T-8		1600	x4
T-14		1600	x15
T-E9		1532	x1
T-E10		1532	x1
T-K11		1798	x2
T-K13		1798	x2
T-E12		1390	x1
T-E15		1780	x1
T-16		1595	x1
T-17		1595	x1
T-E18		1440	x1
T-K46		1543.5	x2
T-K47a		1717	x4
TOP 1			
T-E19		1524.5	x2
T-E20		1524.5	x2
Th-K22		1731	x4
Th-K22a		1731	x4
T-E29		200	x4
T-E45		310	x4
T-N49		100.5	x2
T-N49a		100.5	x2
T-N50		1580	x2
T-N51		1598	x2
T-N52		1205	x1
T-N53		1000	x1

NO.	IMAGE	mm	Qty
T-N54		230	x2
T-N55		292	x4
T-N56		391	x2
TOP 2			
T-E23		1652	x2
T-E24		1652	x8
T-E25		1652	x2
T-26		1216	x6
T-E38		1650	x2
T-E39		1650	x2
T-A28		1220	x3
DOOR			
T-E30		1595	x1
T-E35		1595	x1
T-31		1535	x2
T-E32		954	x4
T-E33		651	x1
T-E34		651	x1
T-E36		651	x1
T-E37		651	x1
ANNEX			
T-P1			x4
T-P2			x4
T-P3			x4
T-P4			x2
TP5A			x4
T-P6			x2
T-P7		200	x1
T-P8			x2
T-K40			x310
T-K41		ST4x10	x380
T-K42		ST4x16	x28
T-K43		M4x10	x126
T-K44			x134
T-K57		M6x50	x4

NOTE:It is important that these instructions are followed step by step.

Metal Shed must be installed on a level wooden platform or a level concrete foundation

Wooden platform is extra and is not included.
Don't install under windy conditions.

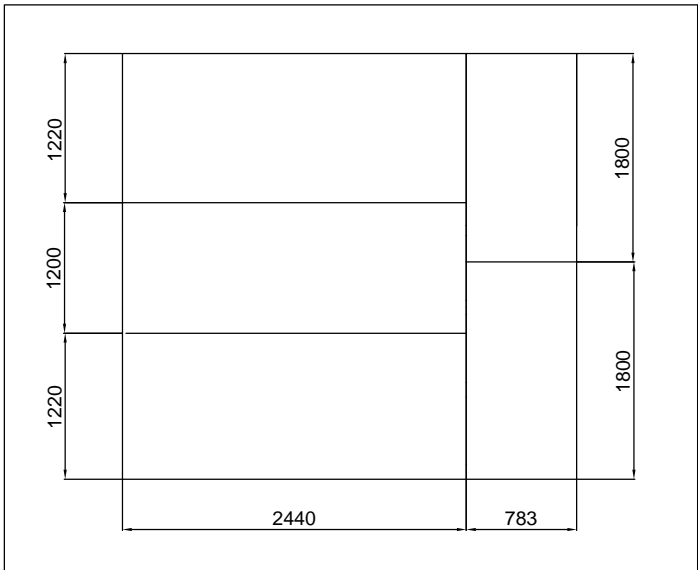
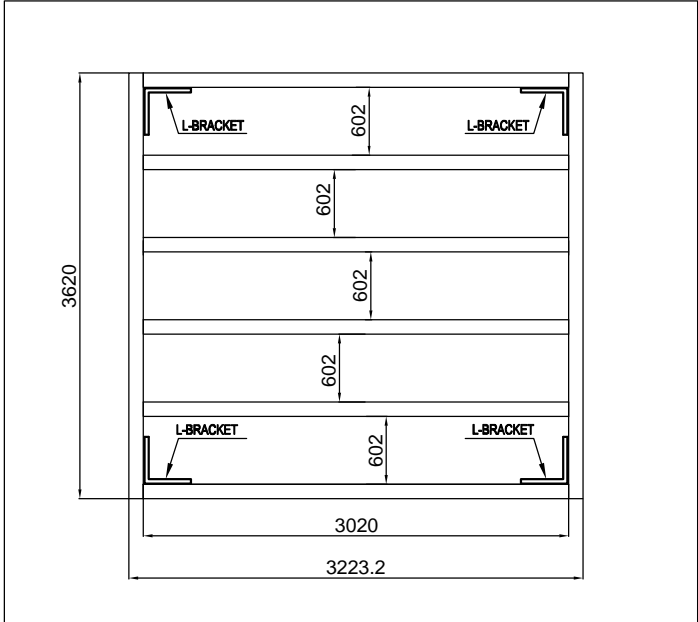
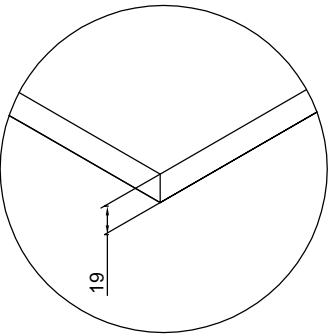
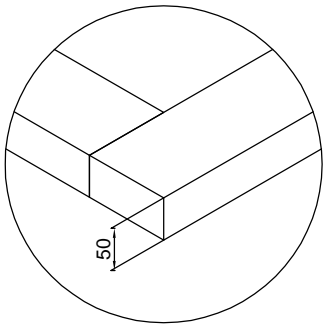
Wooden Platform

The following are a list of lumber and sizes you will need.

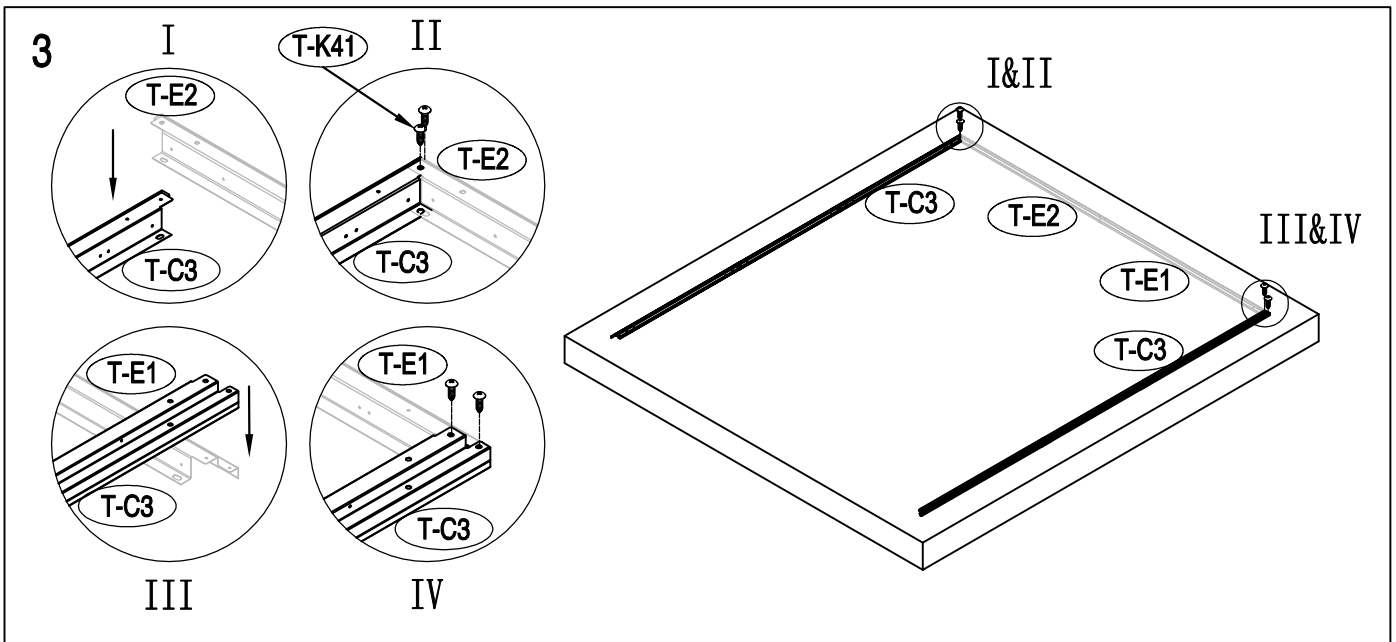
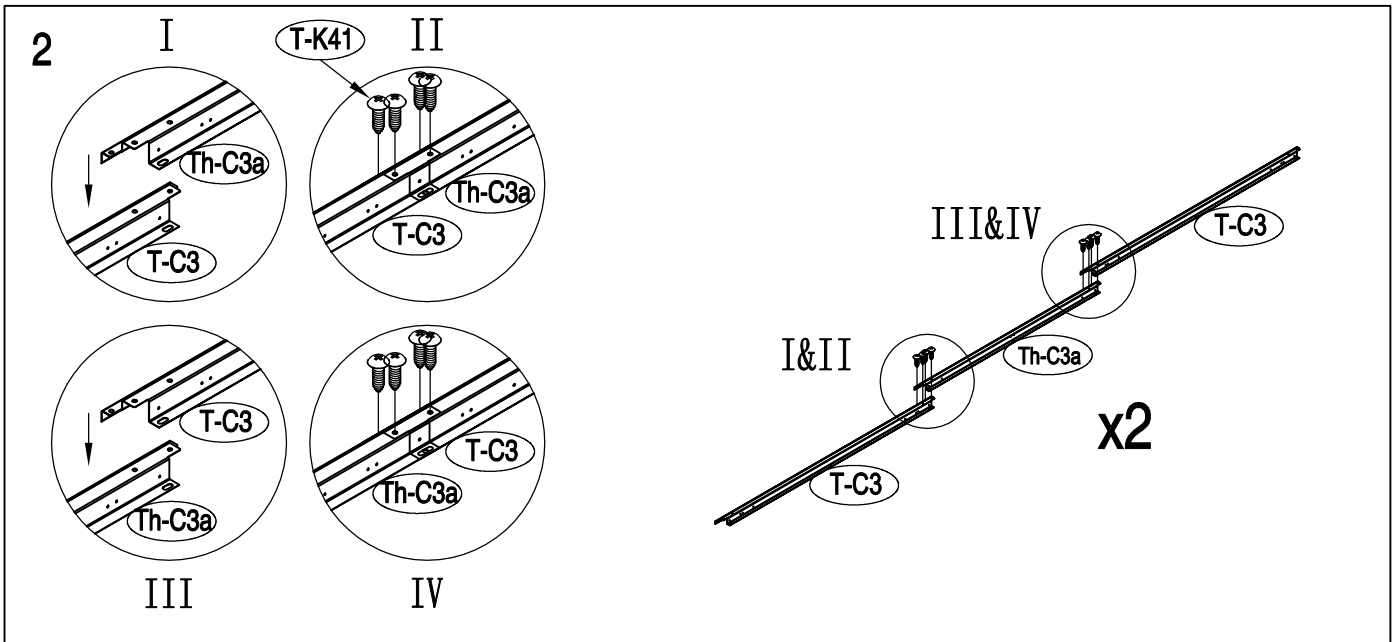
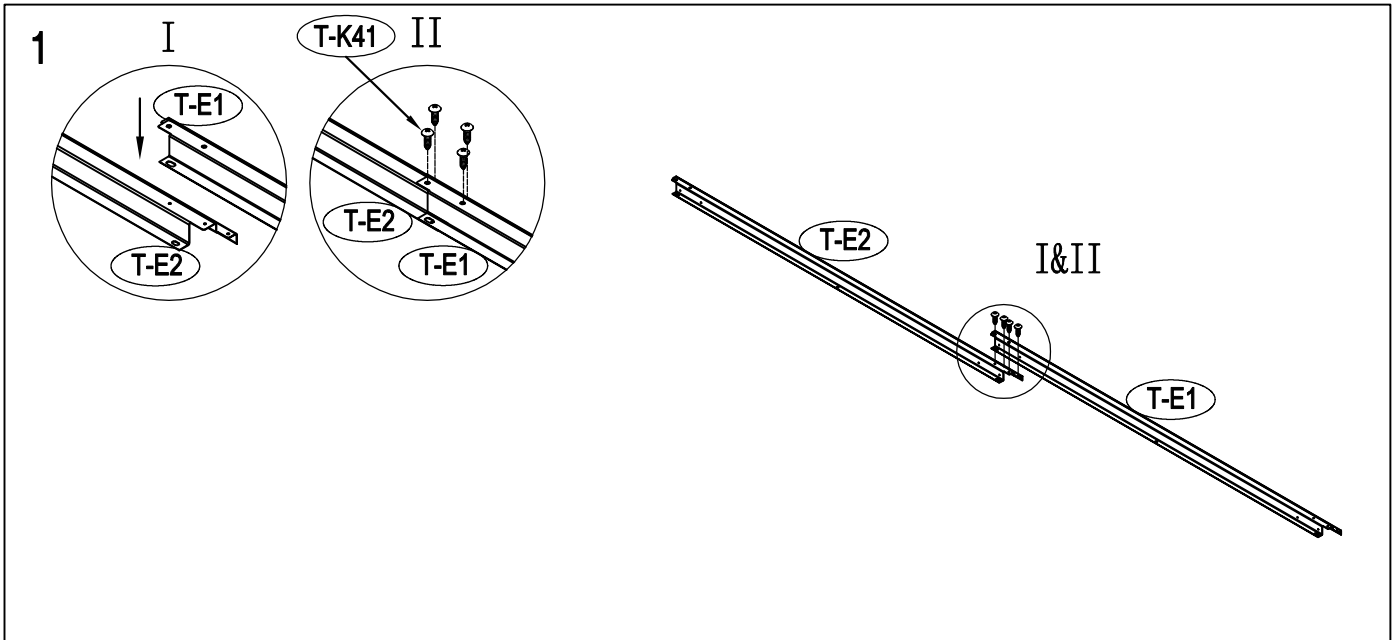
- Pressure Treated-Wood Studs:**
 50mmX101.6mmX3020mm.....(6)
 50mmX101.6mmX3620mm.....(2)

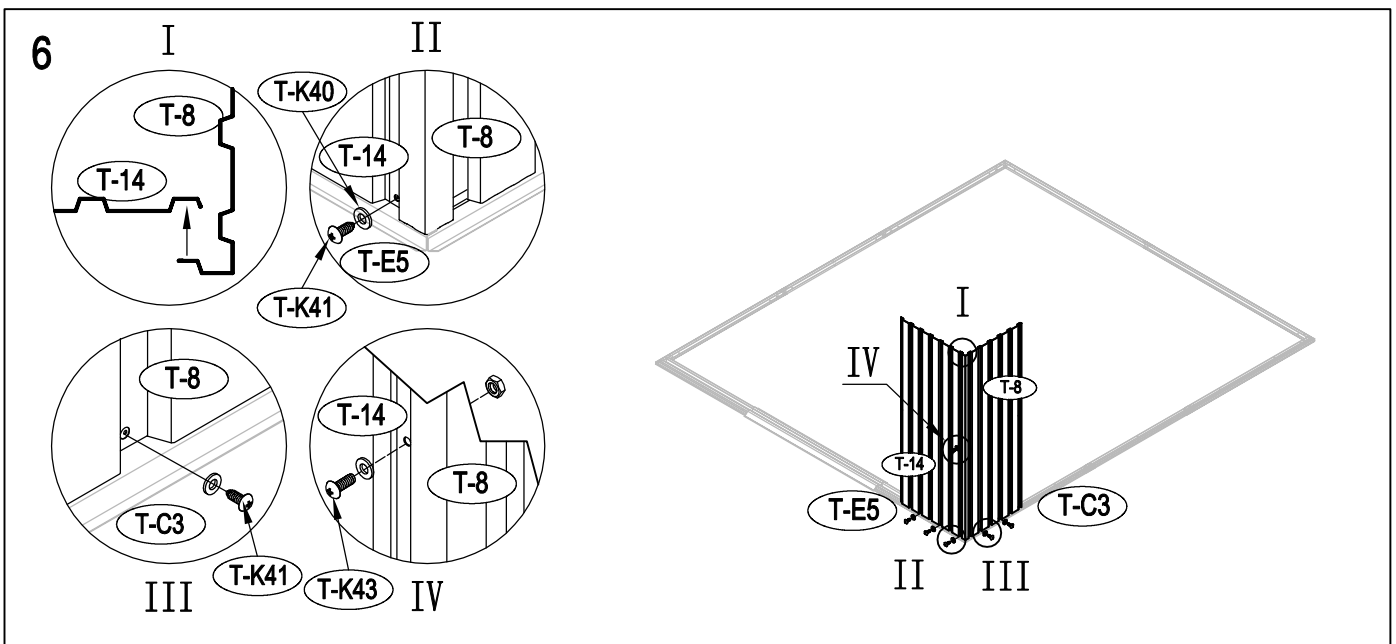
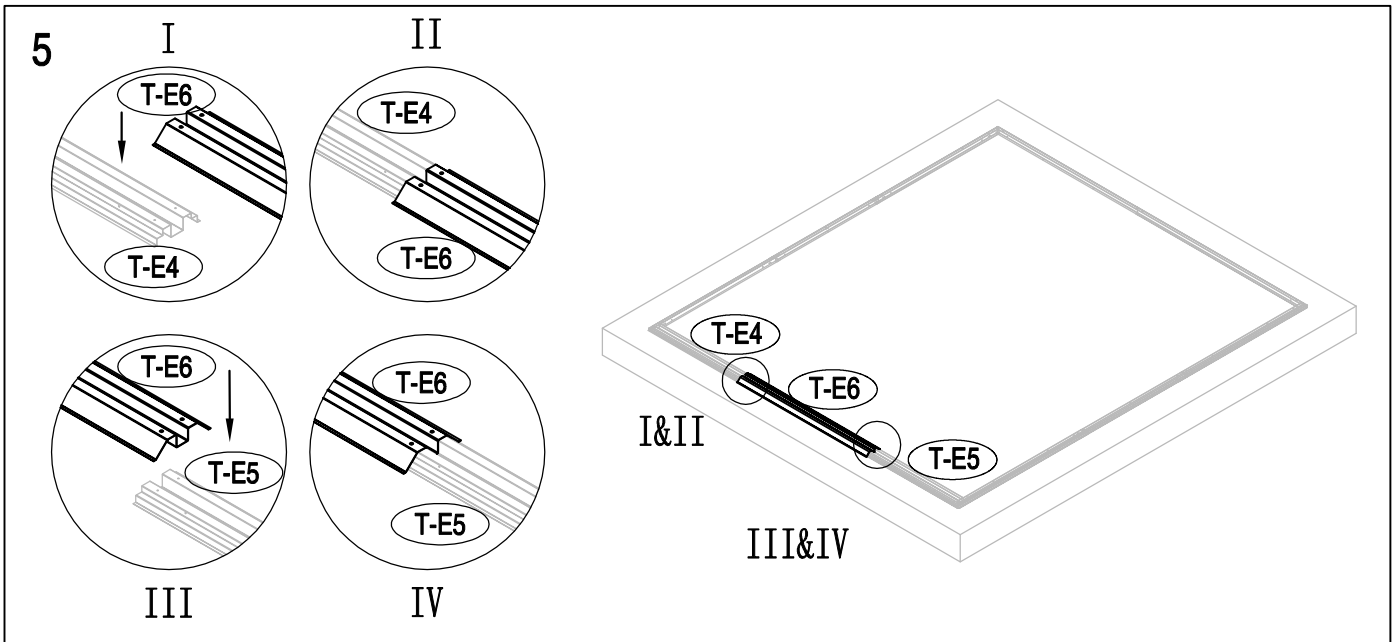
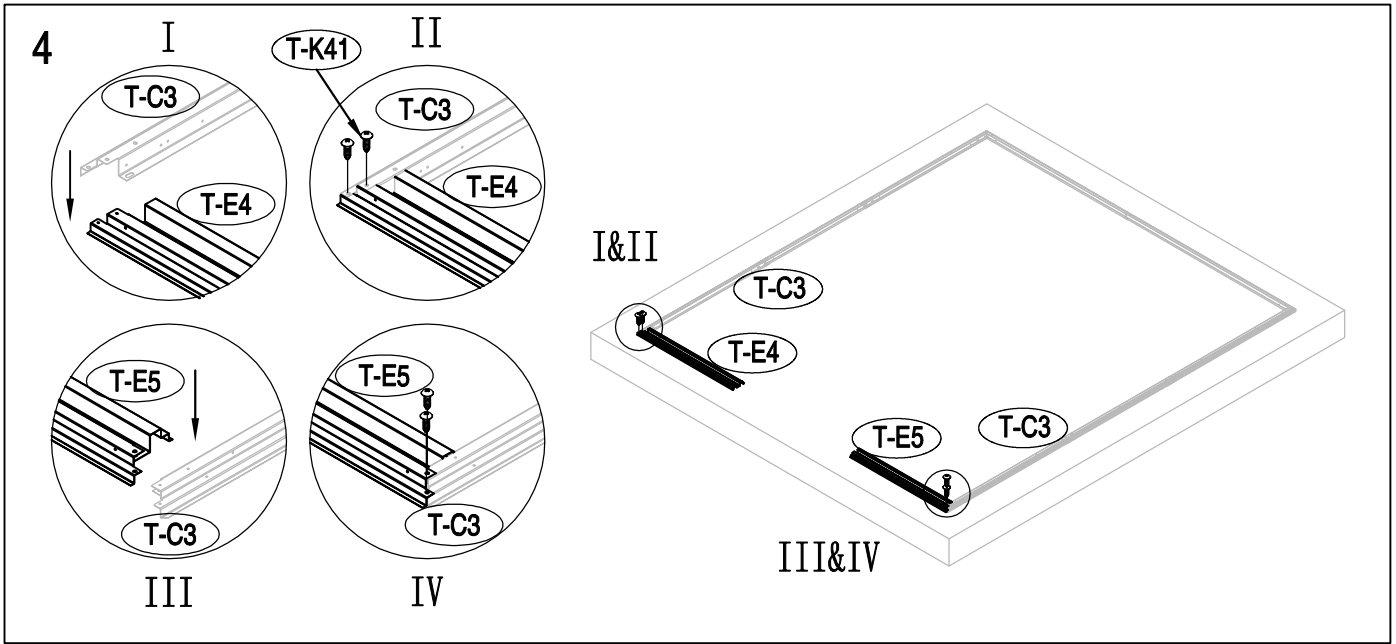
- Exterior Grade (CDX-19mm) plywood**
 19mmX1200mmX2440mm.....(3)
 19mmX783mmX1800mm.....(2)

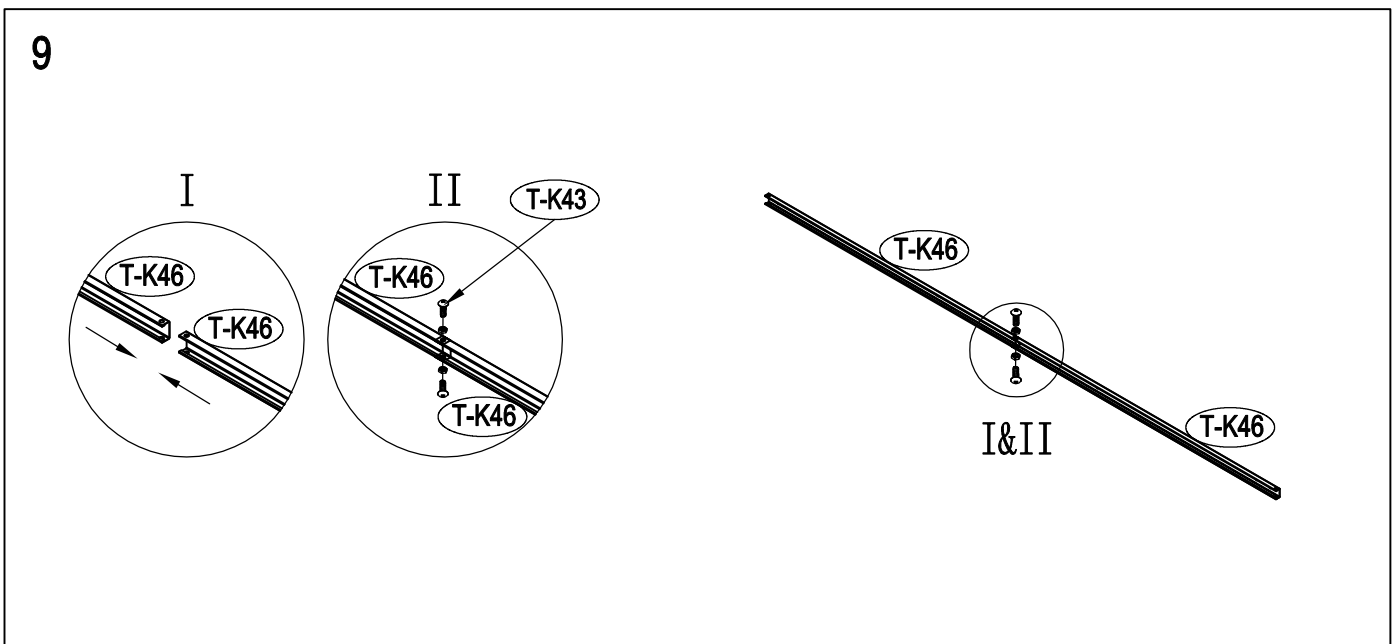
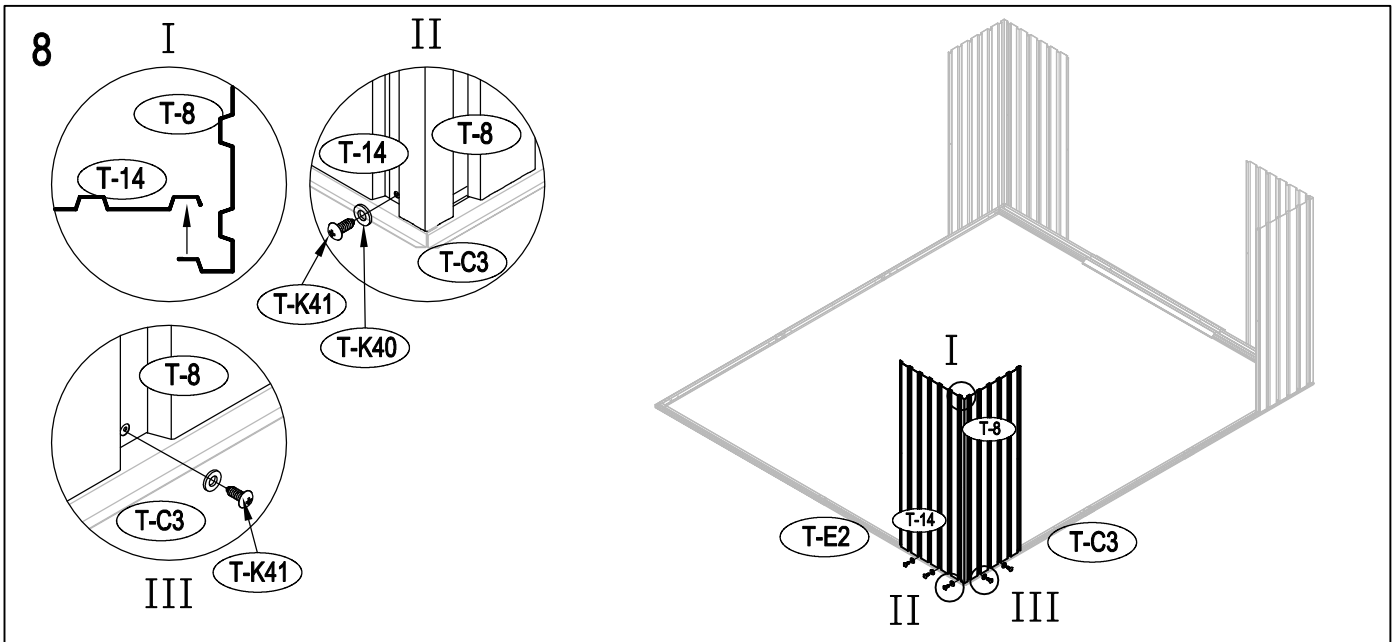
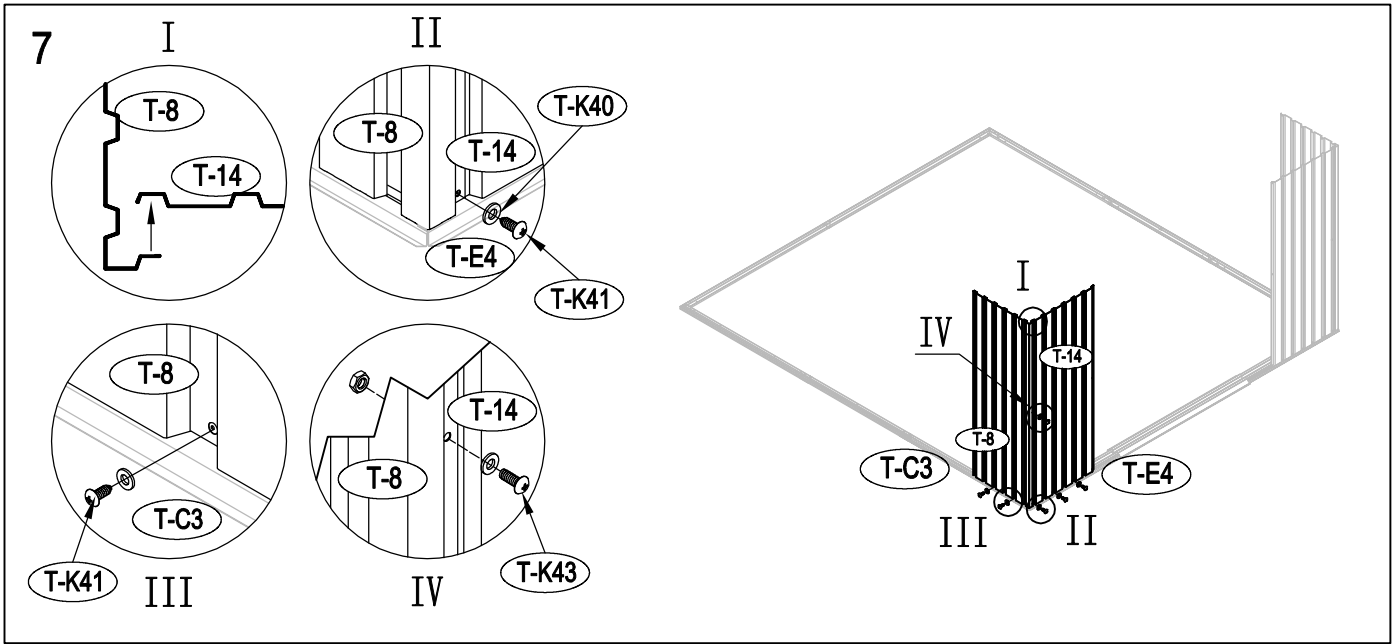
We recommend to clear your metal shed of snow after each snowfall.



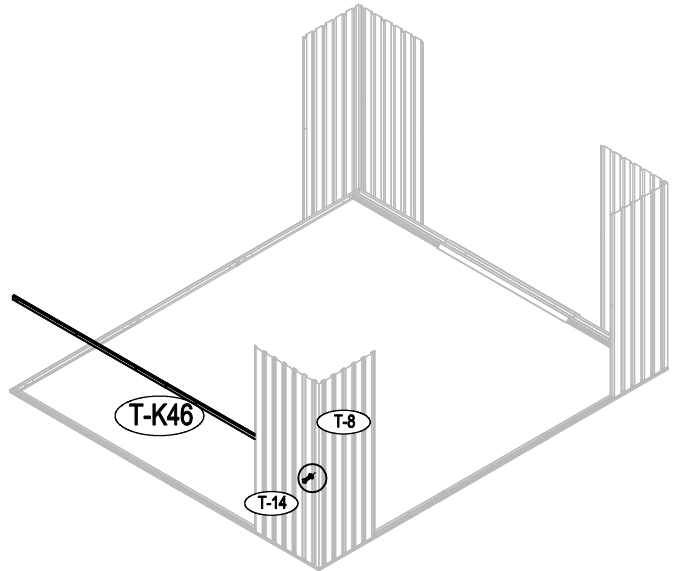
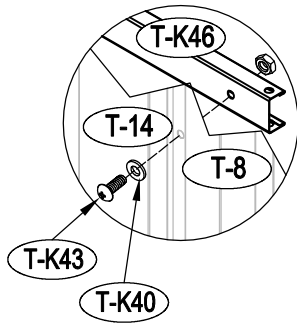
Important: Use hand gloves to prevent injury.



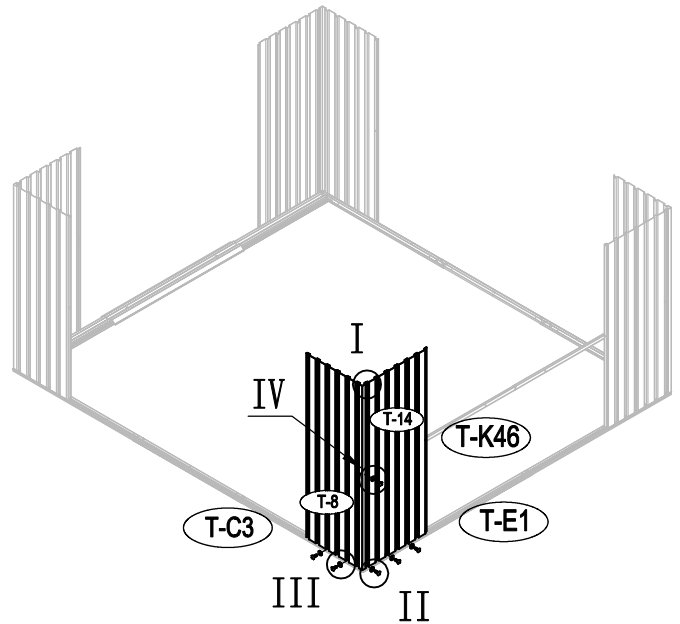
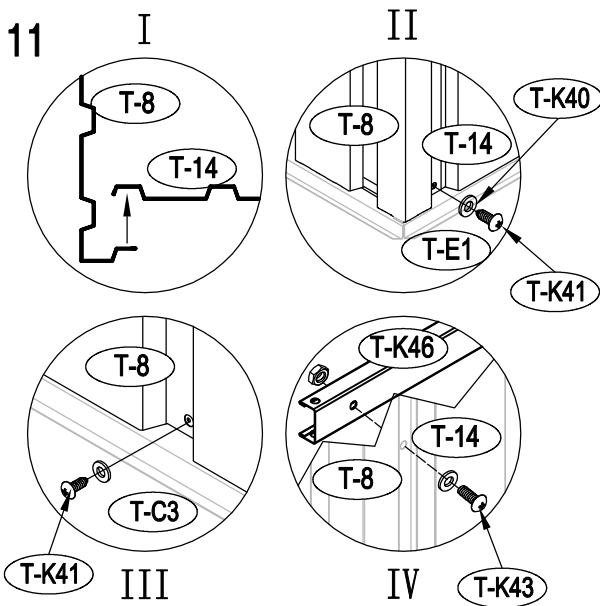




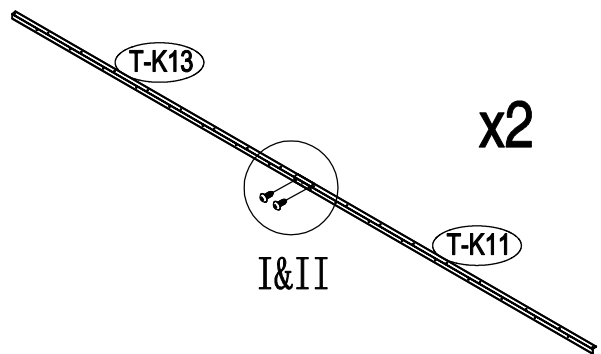
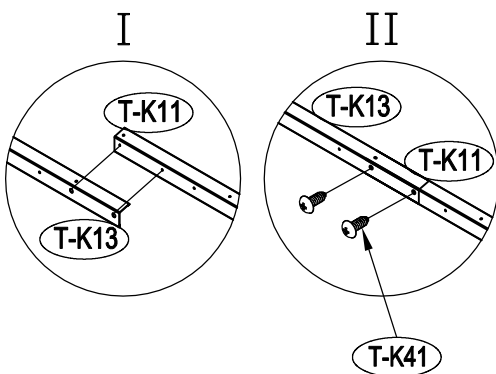
10

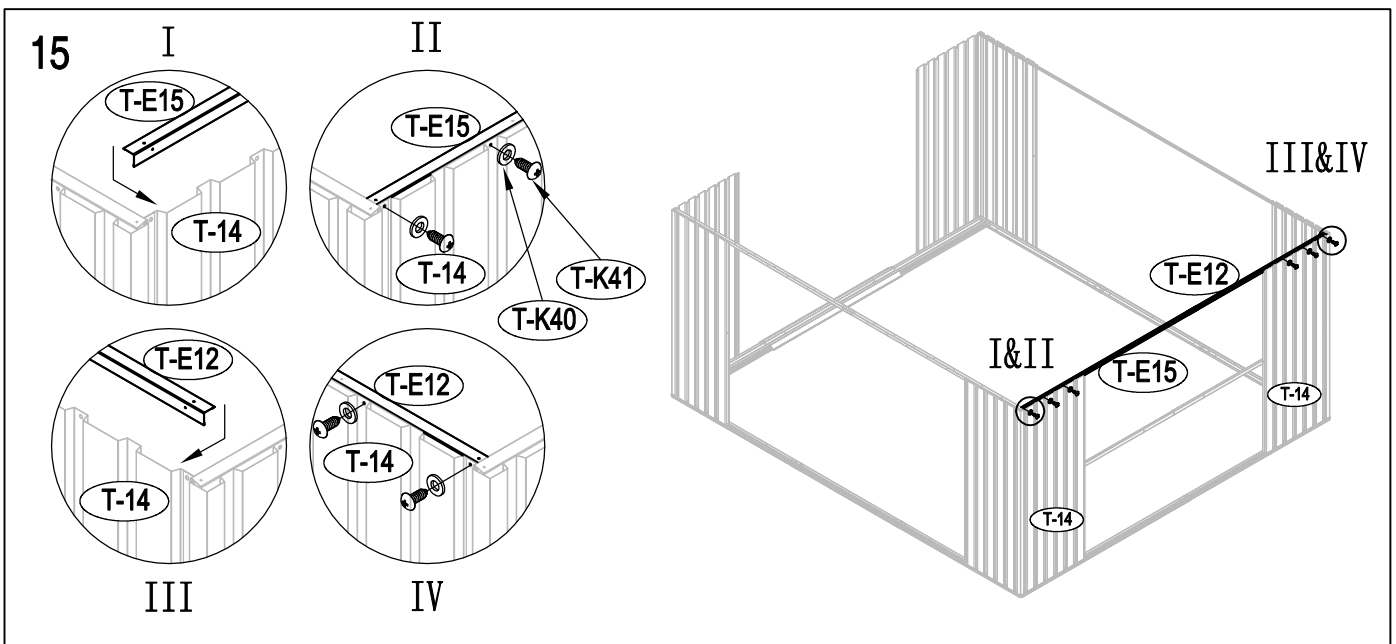
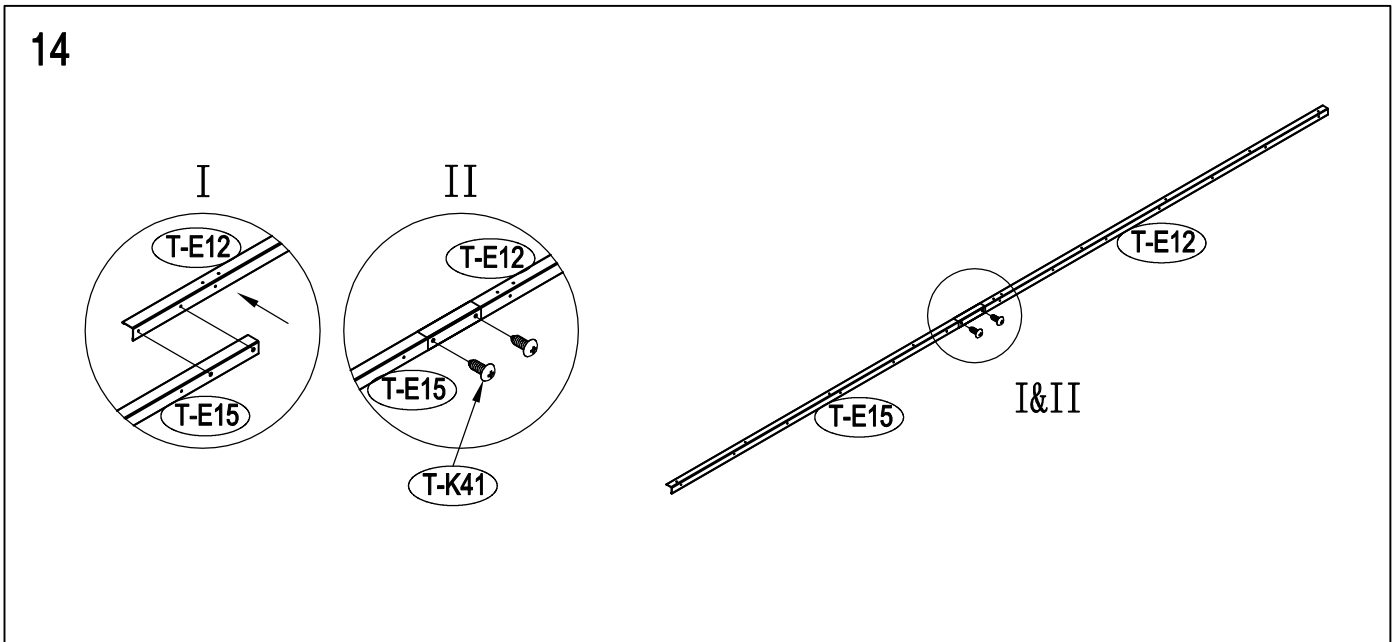
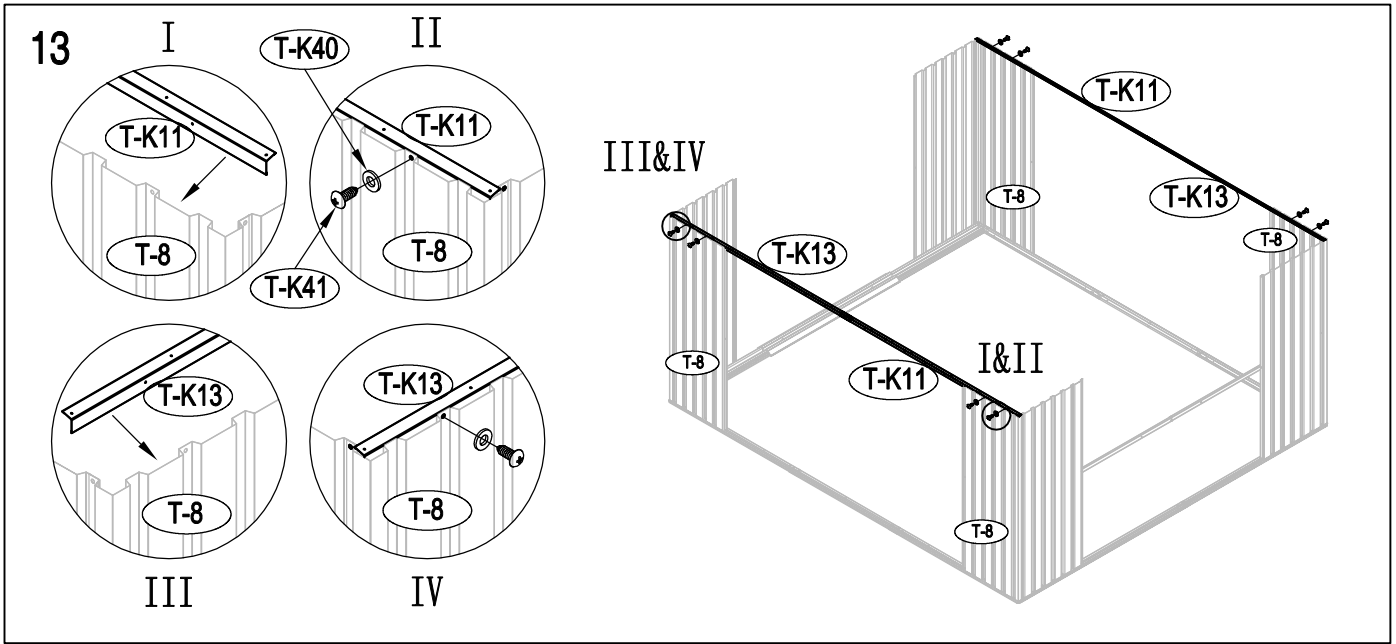


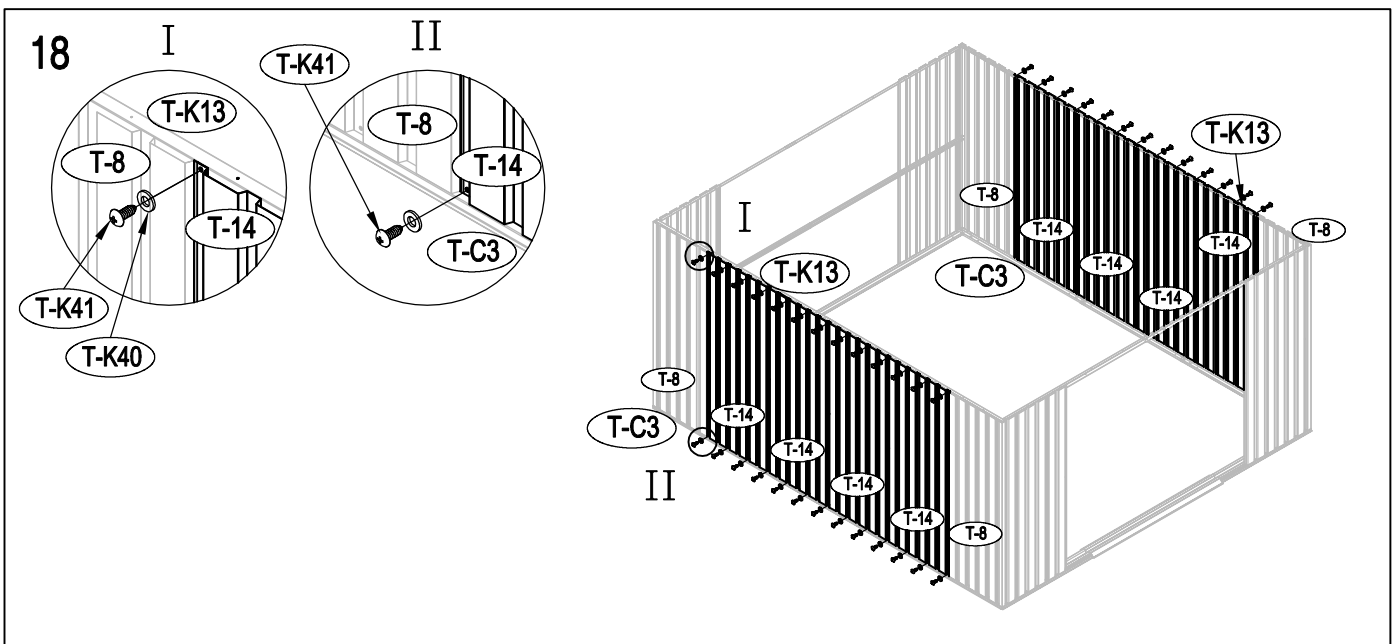
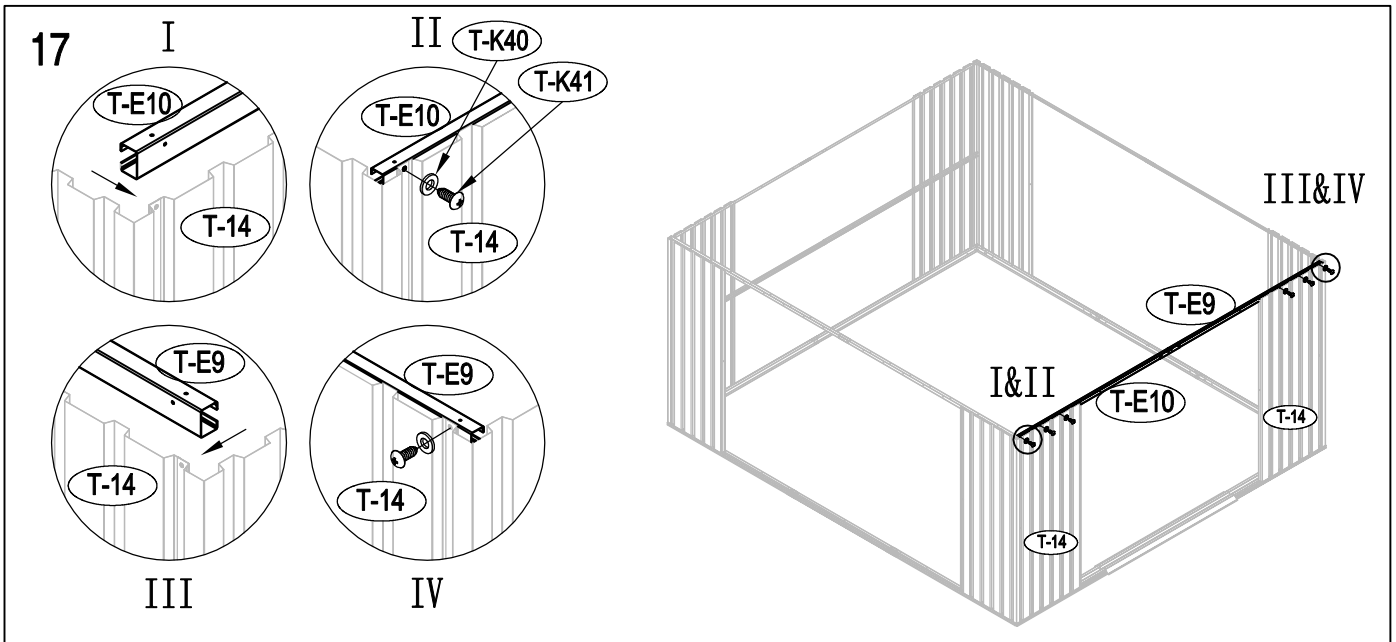
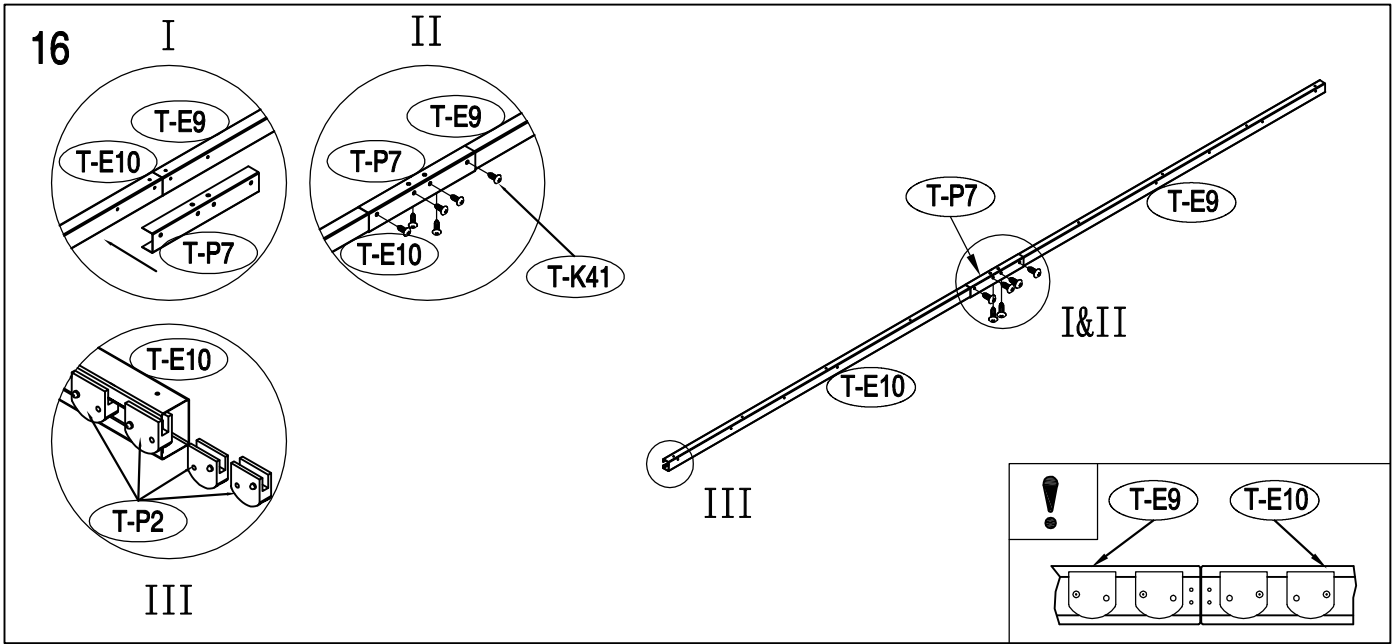
11

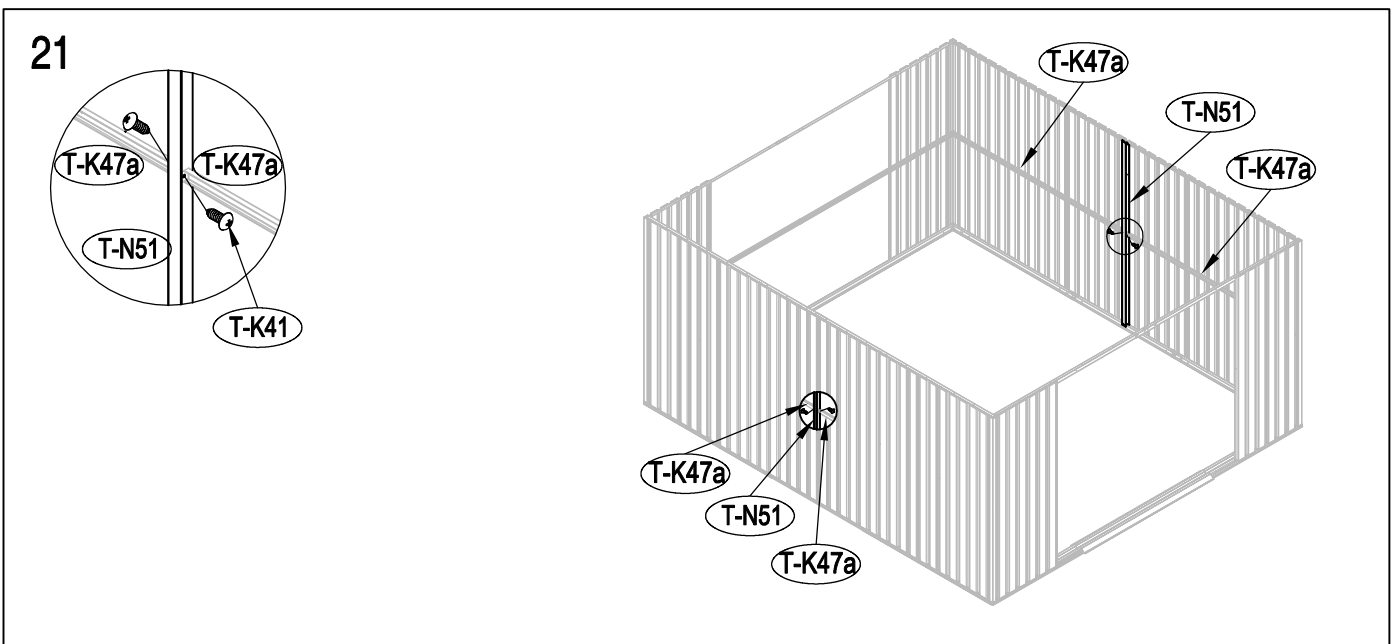
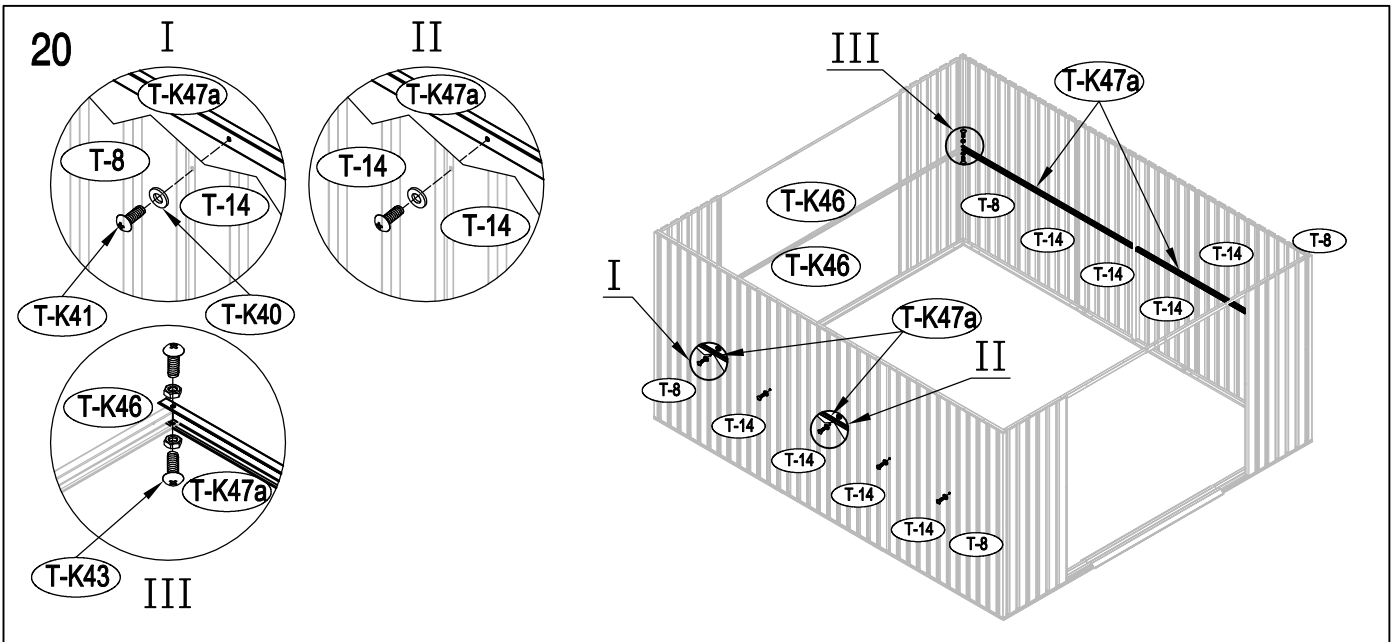
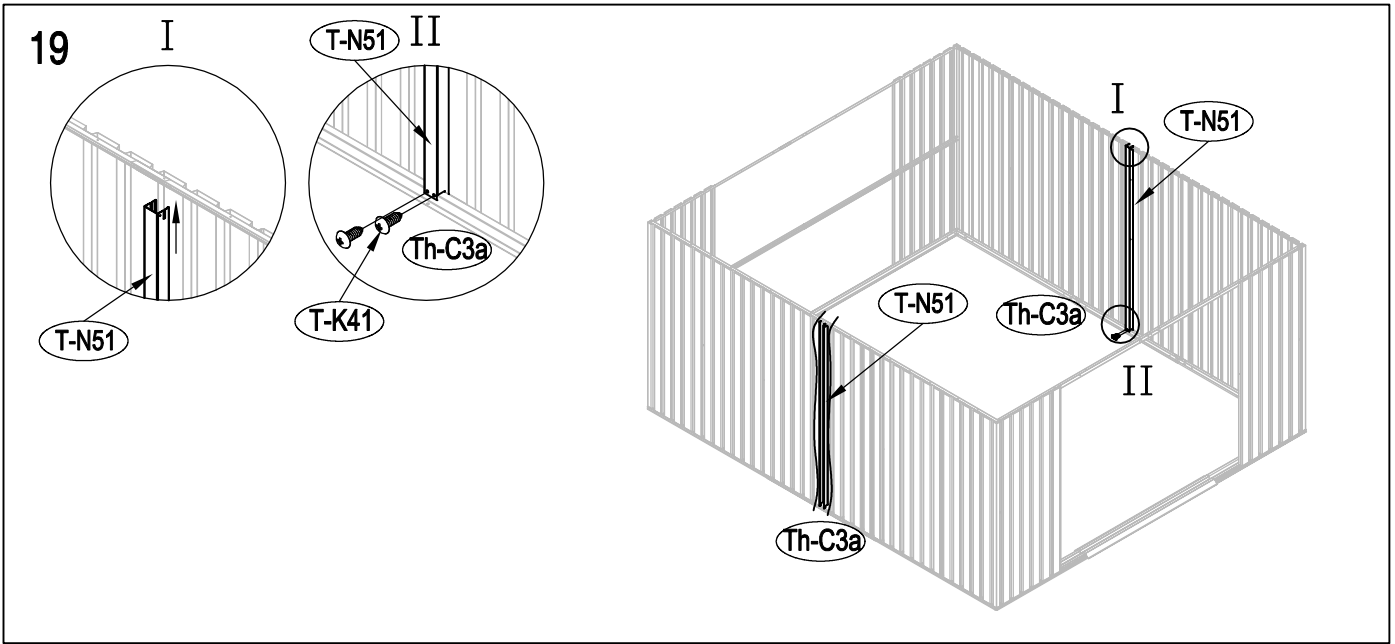


12

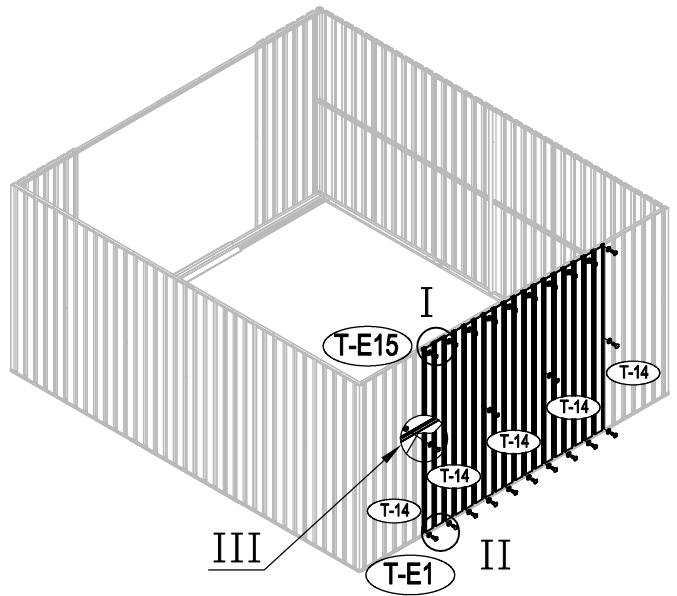
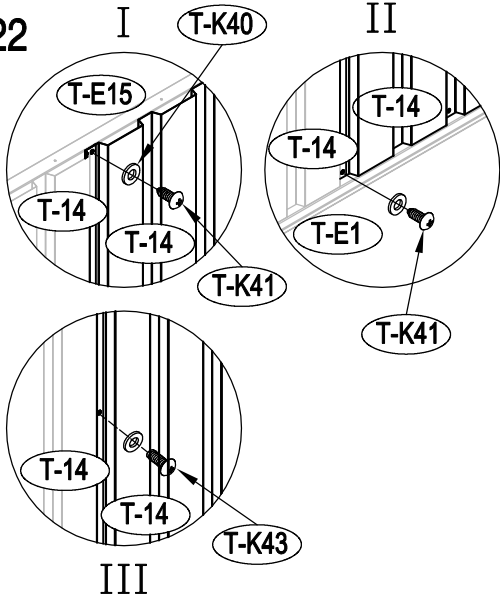




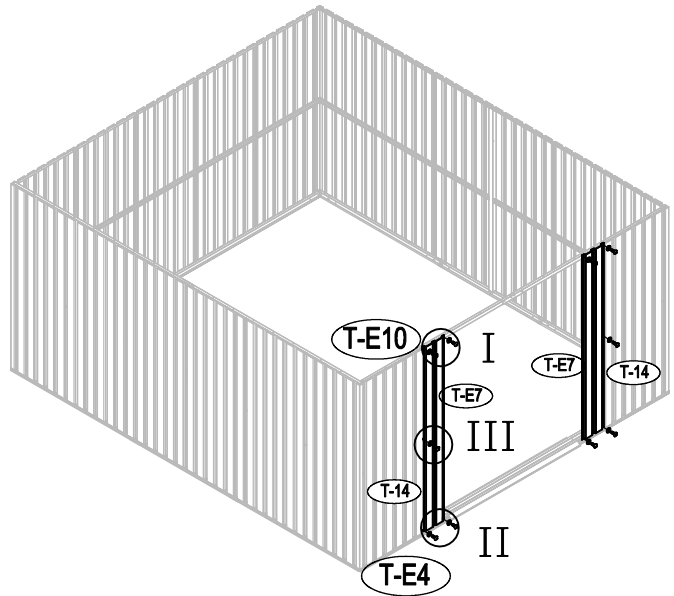
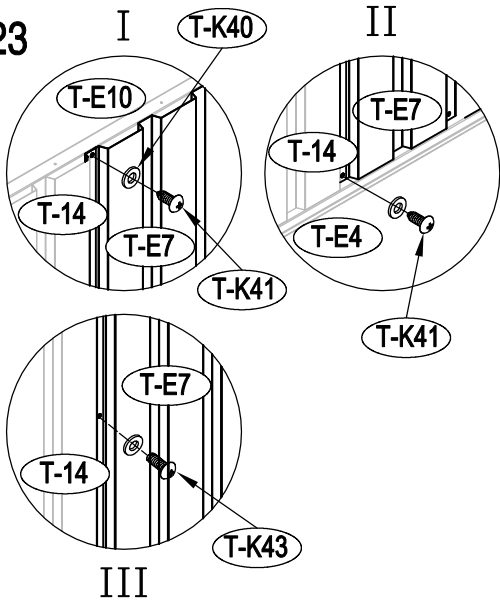




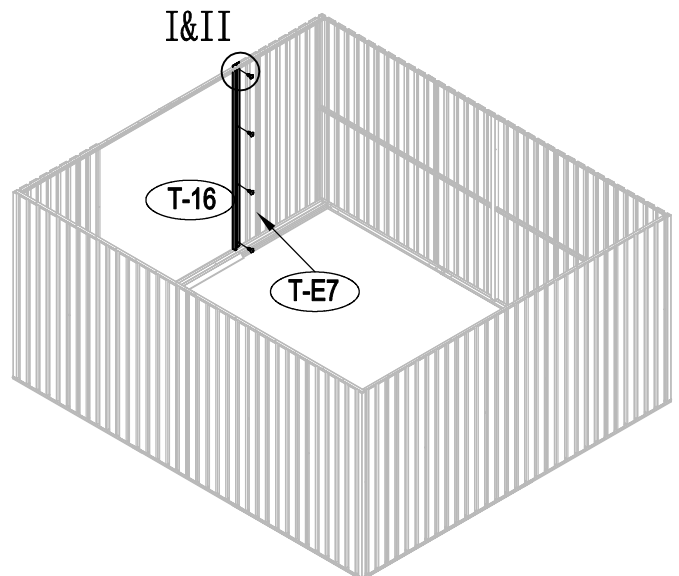
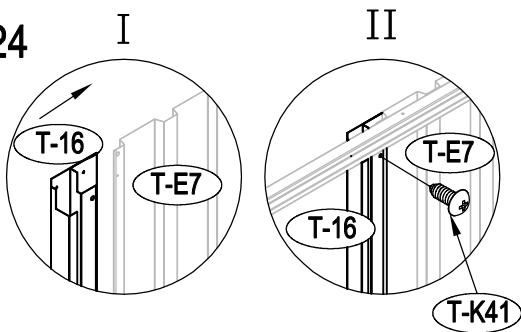
22

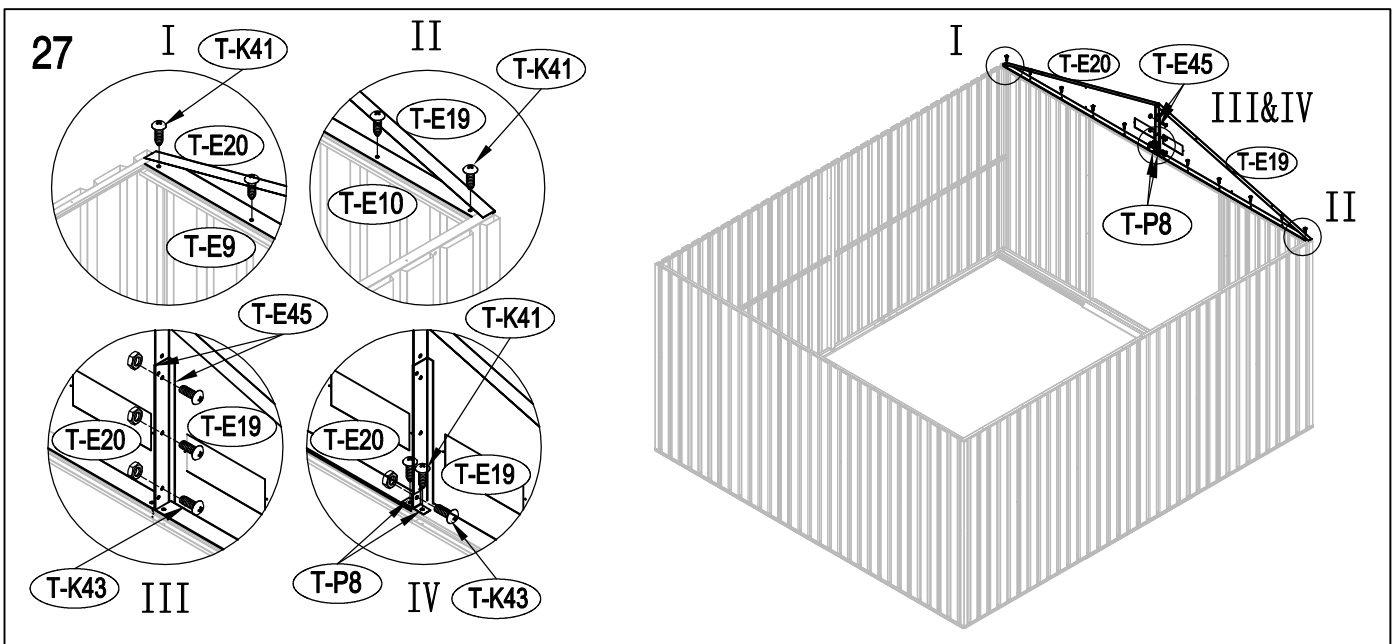
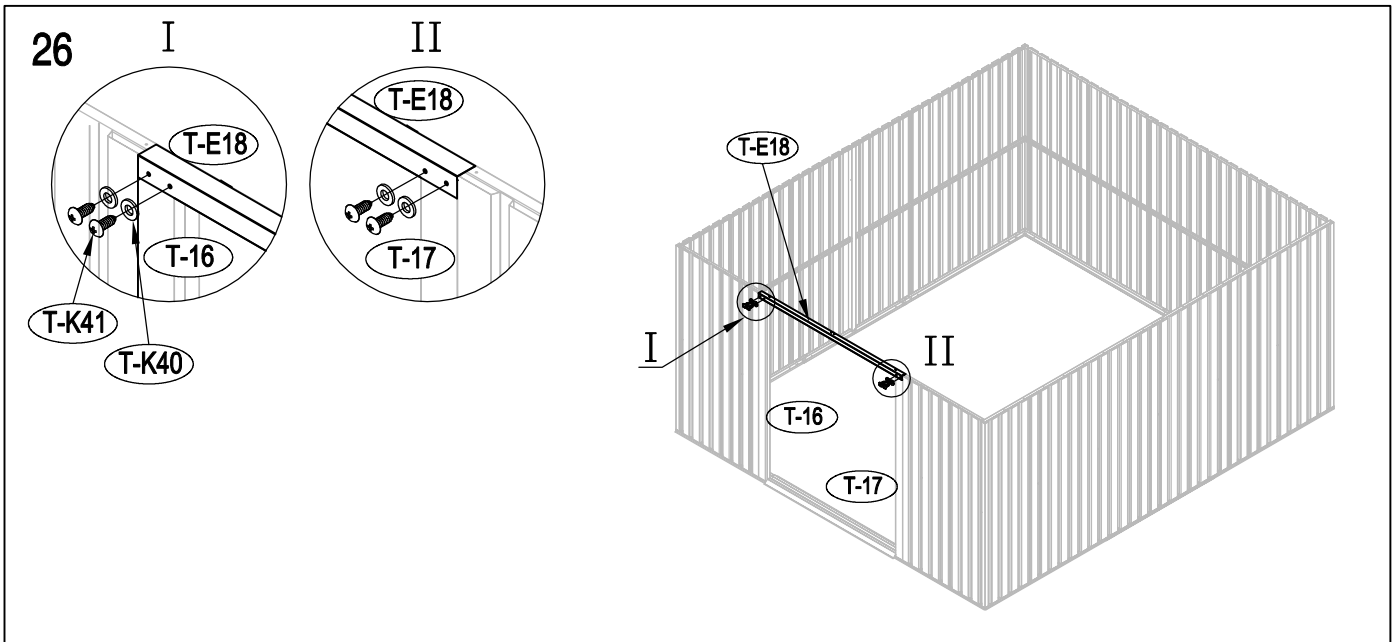
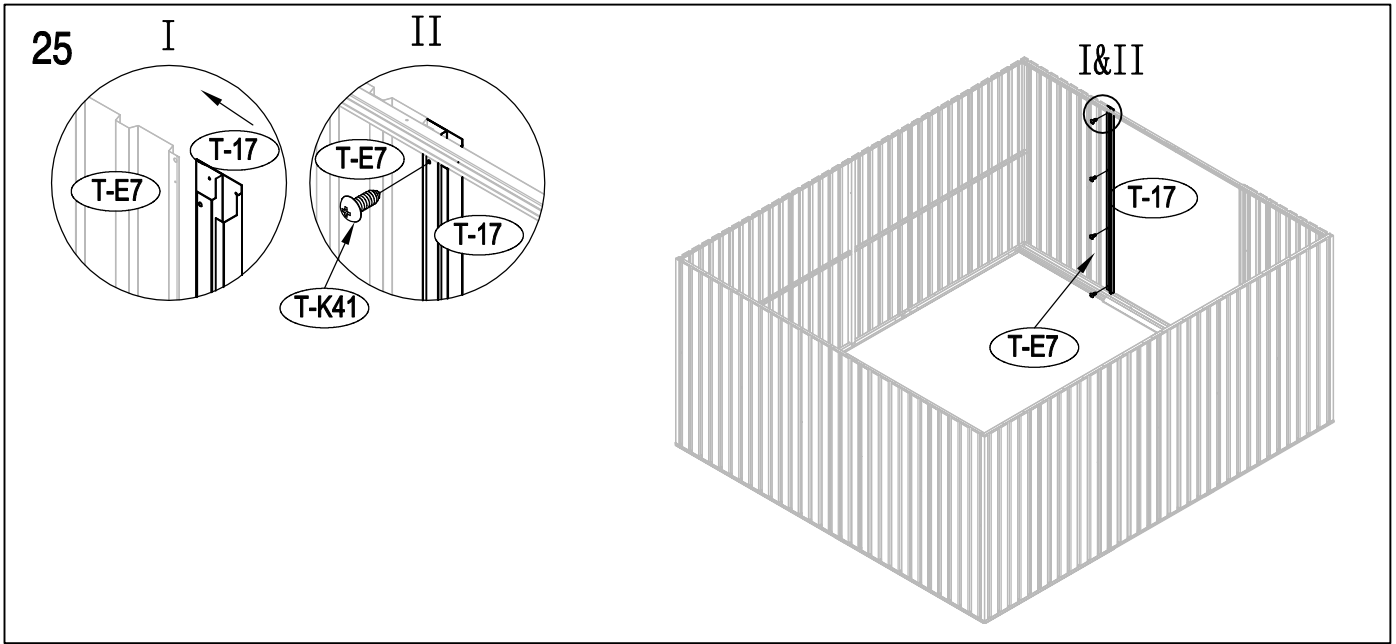


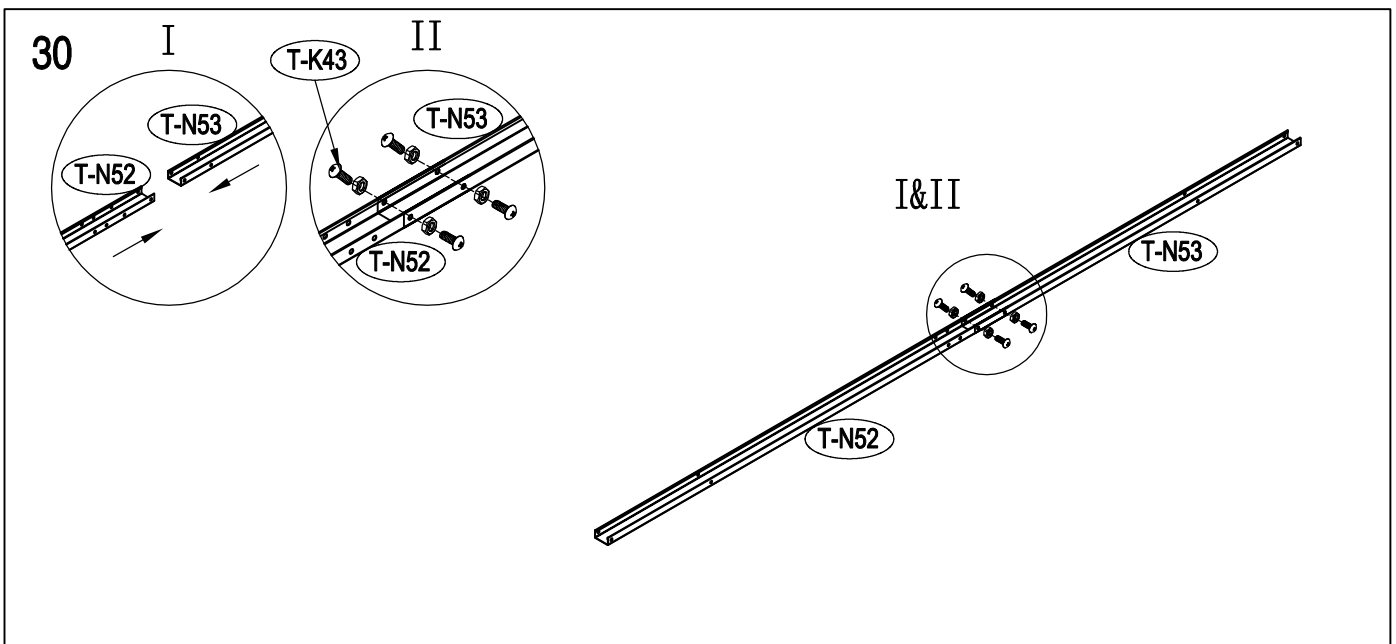
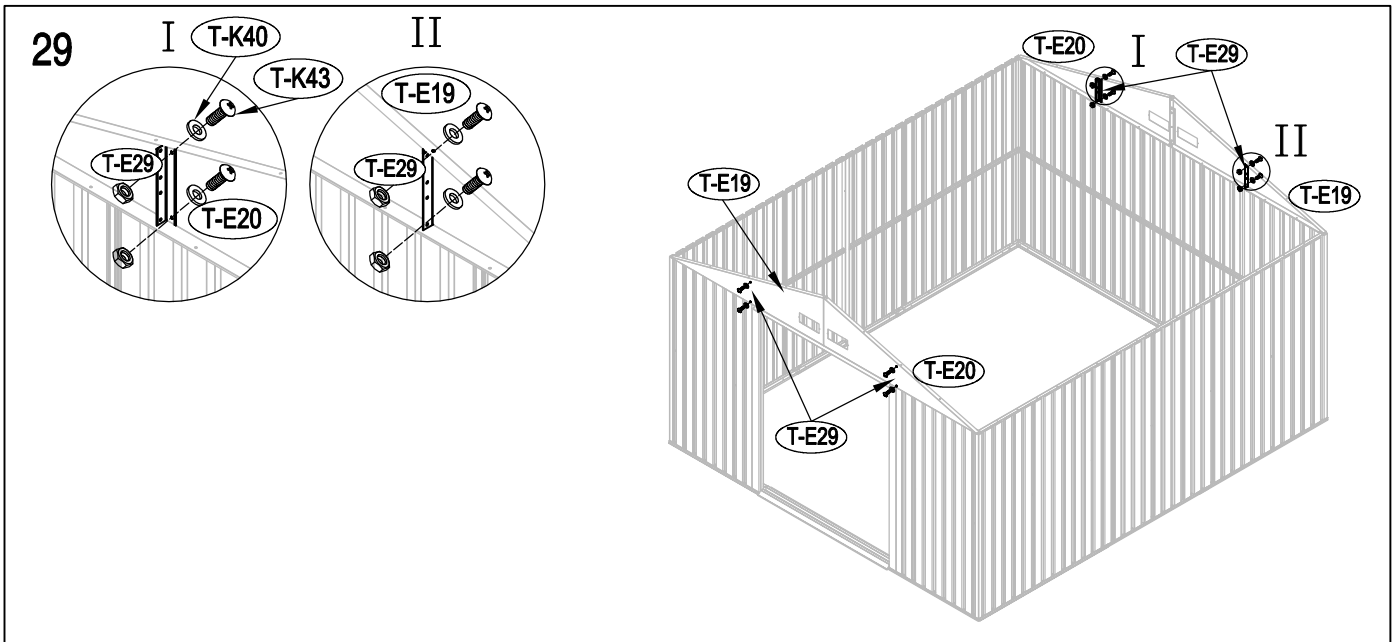
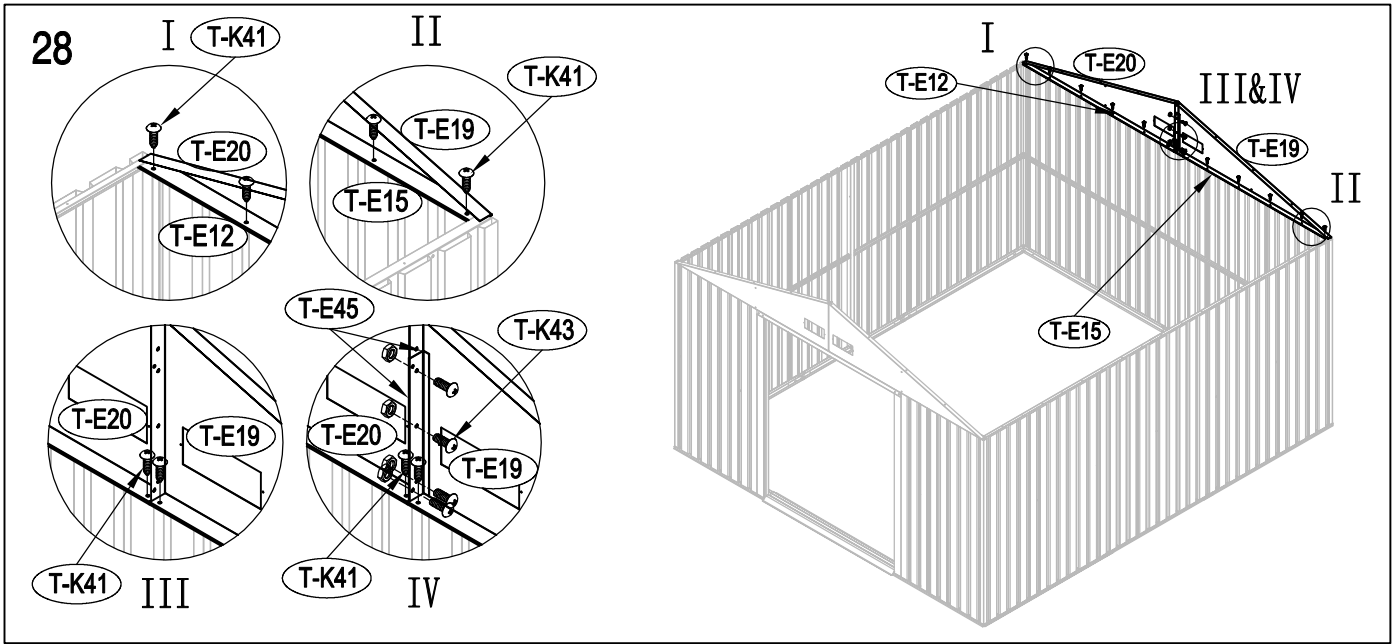
23

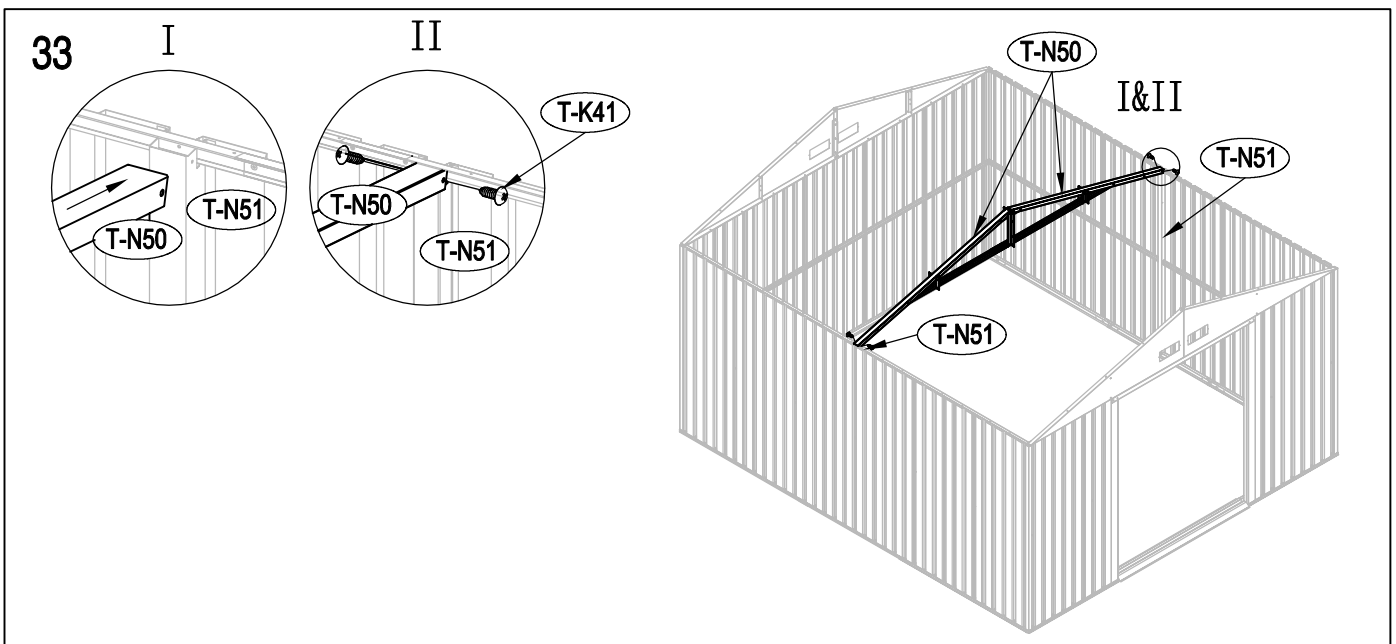
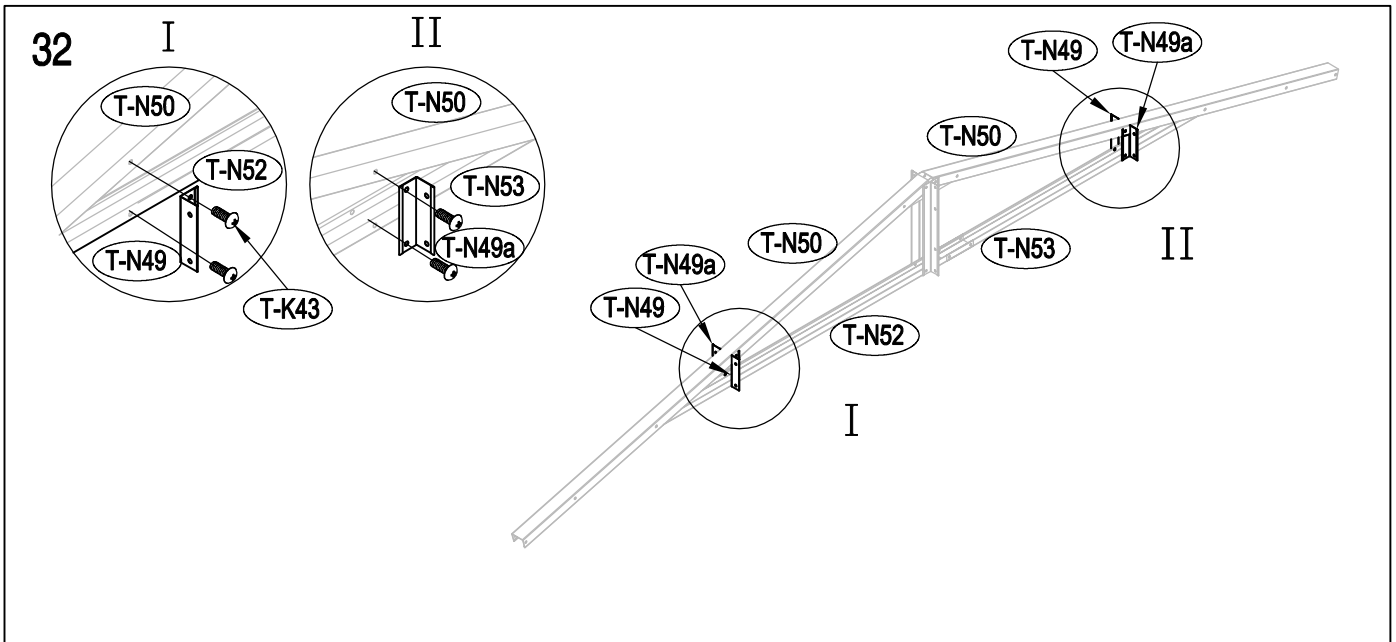
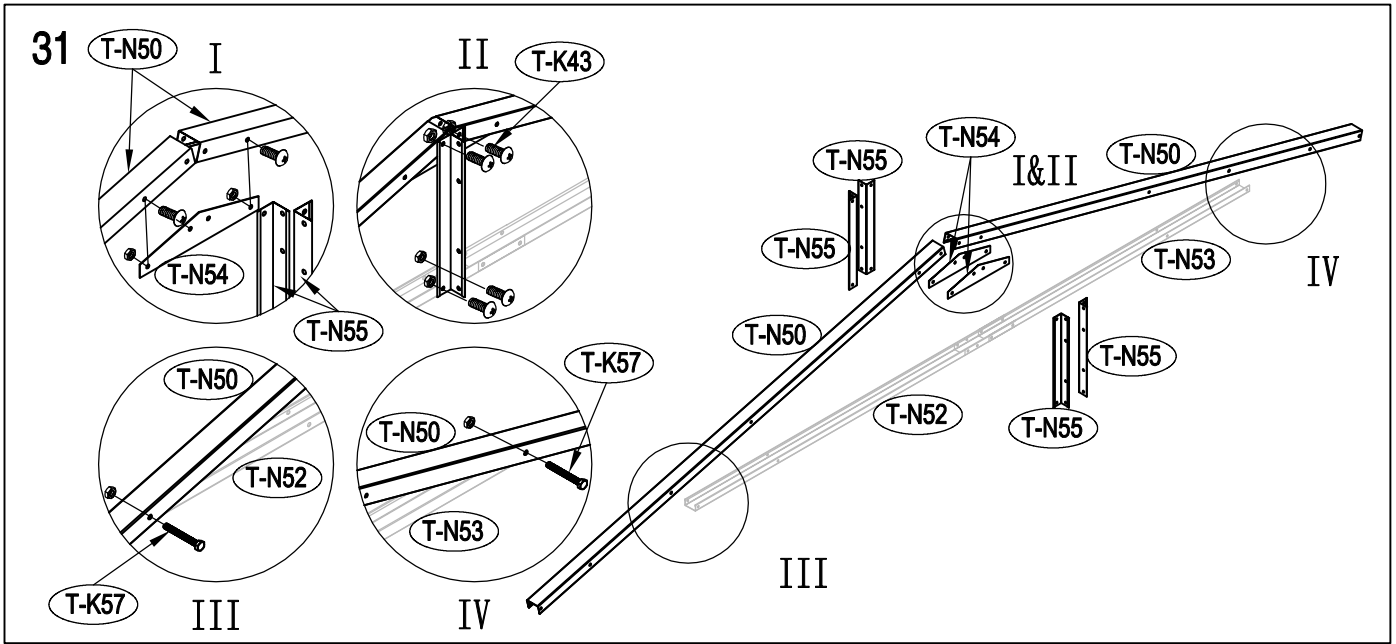


24

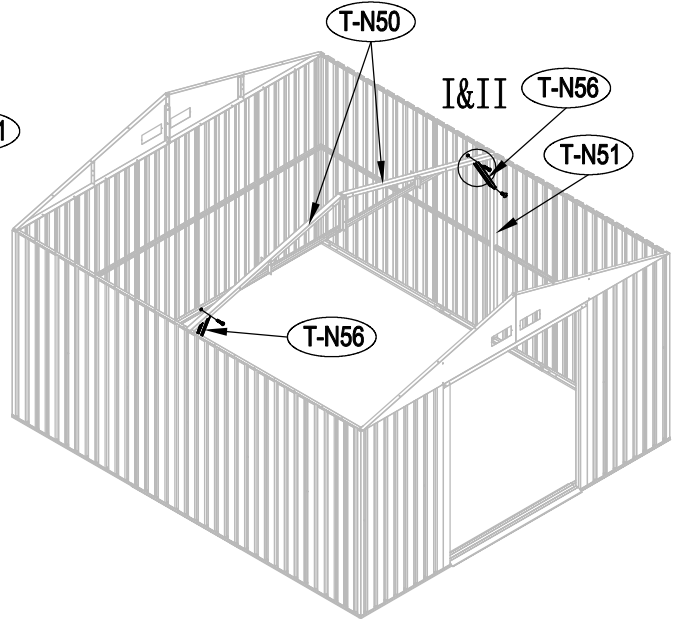
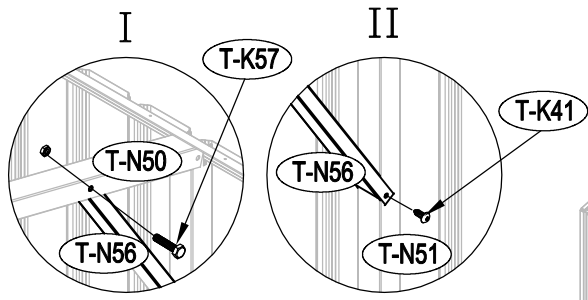




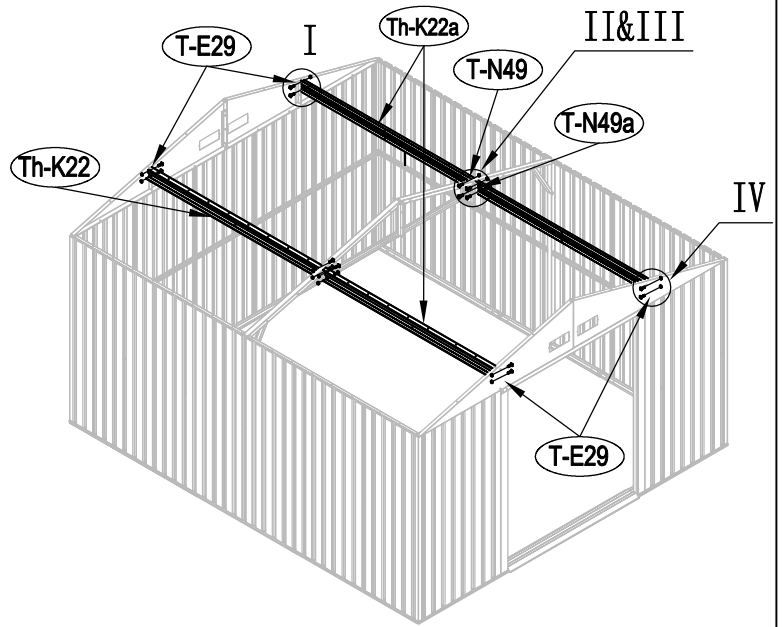
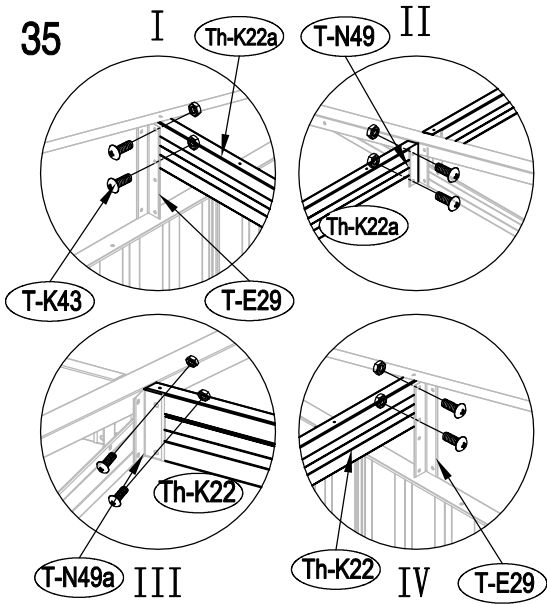




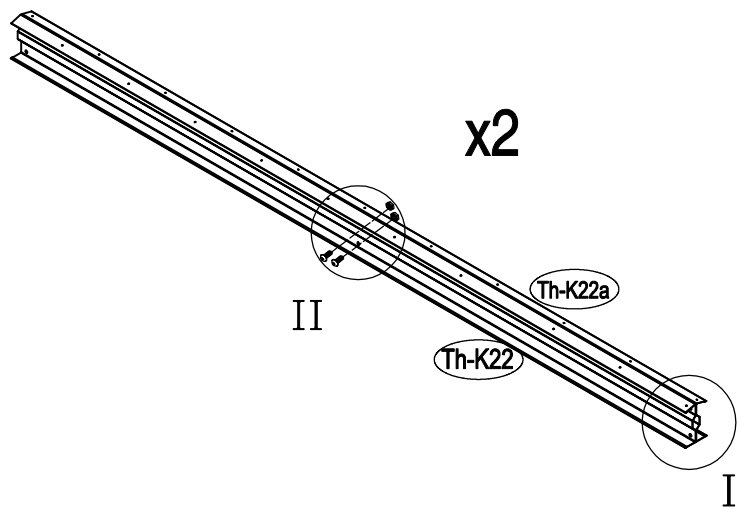
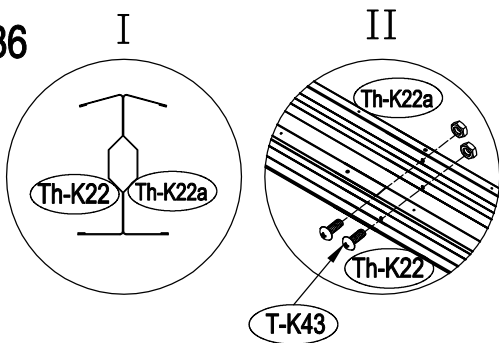
34

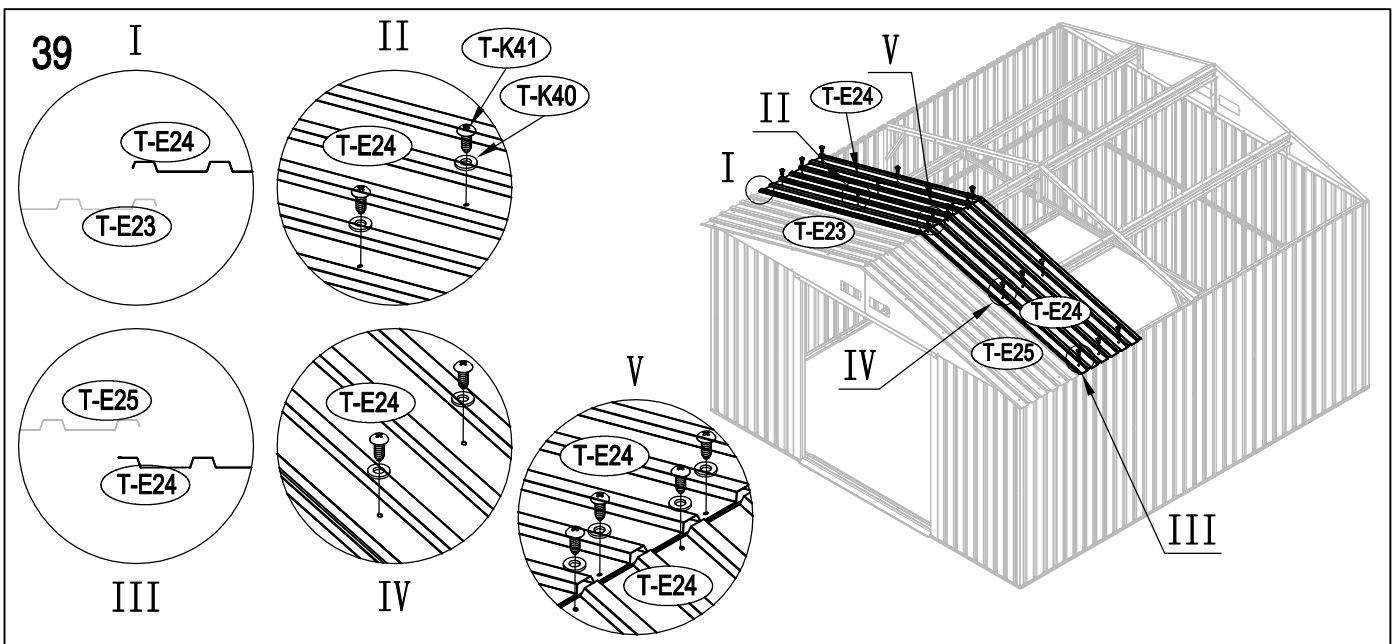
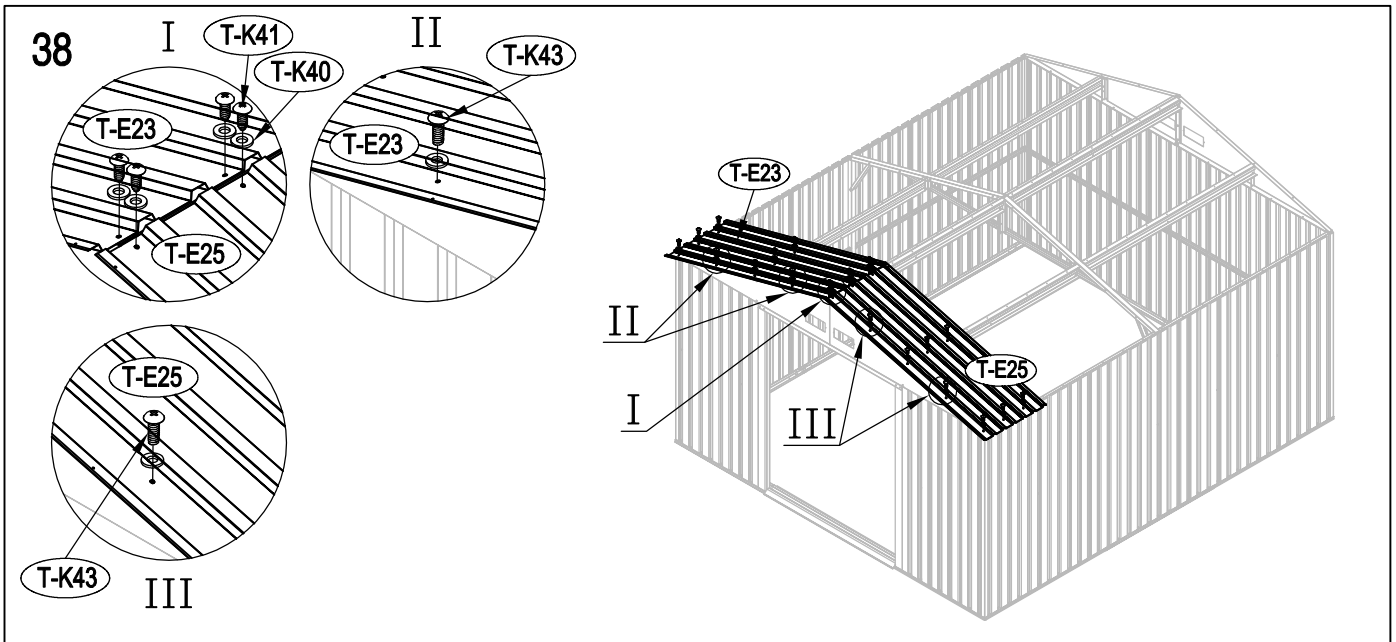
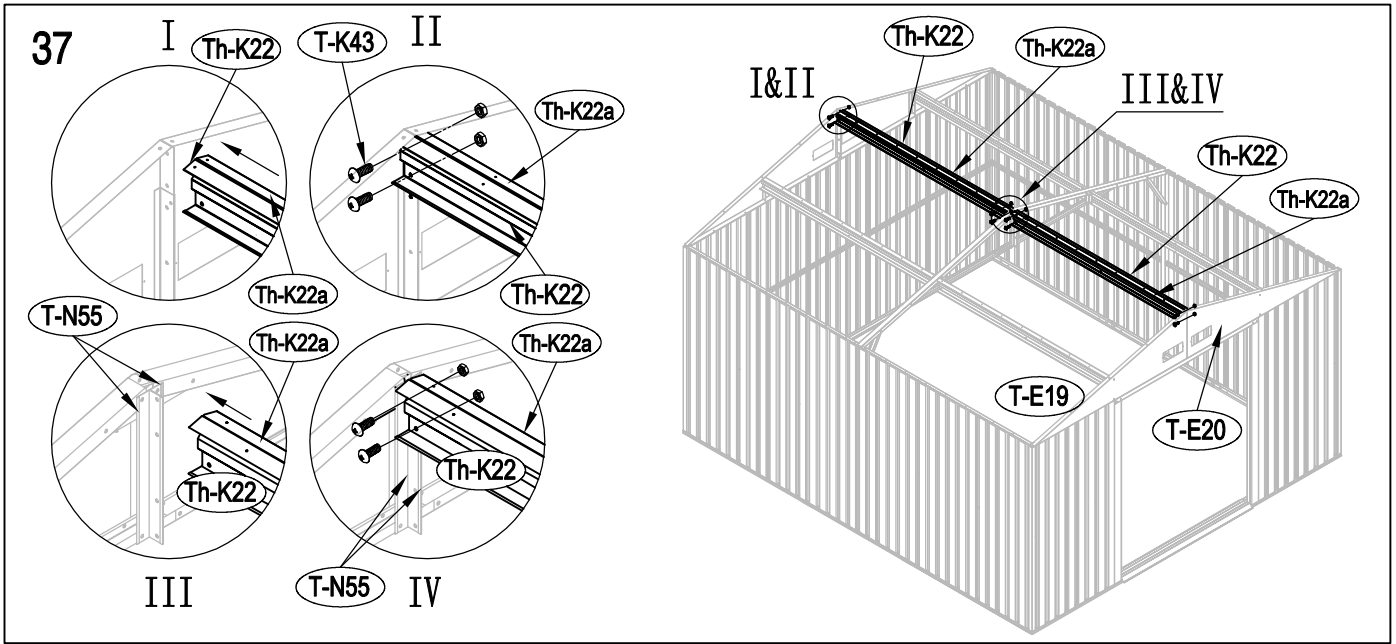


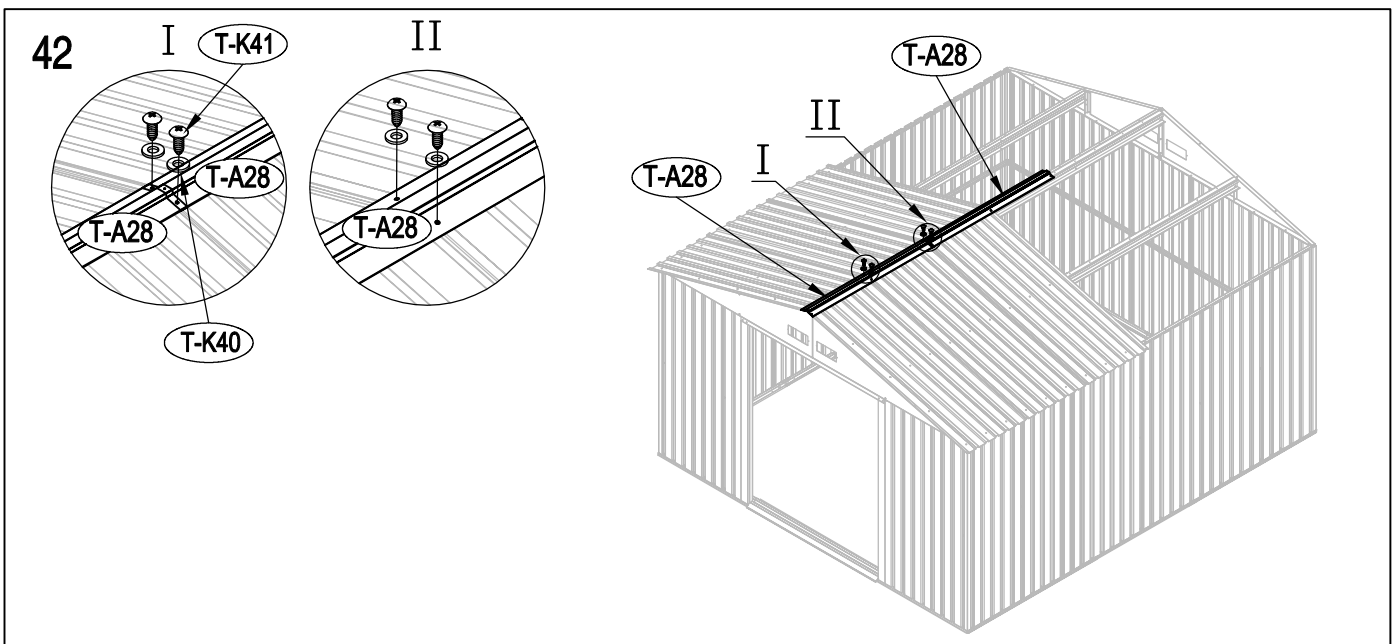
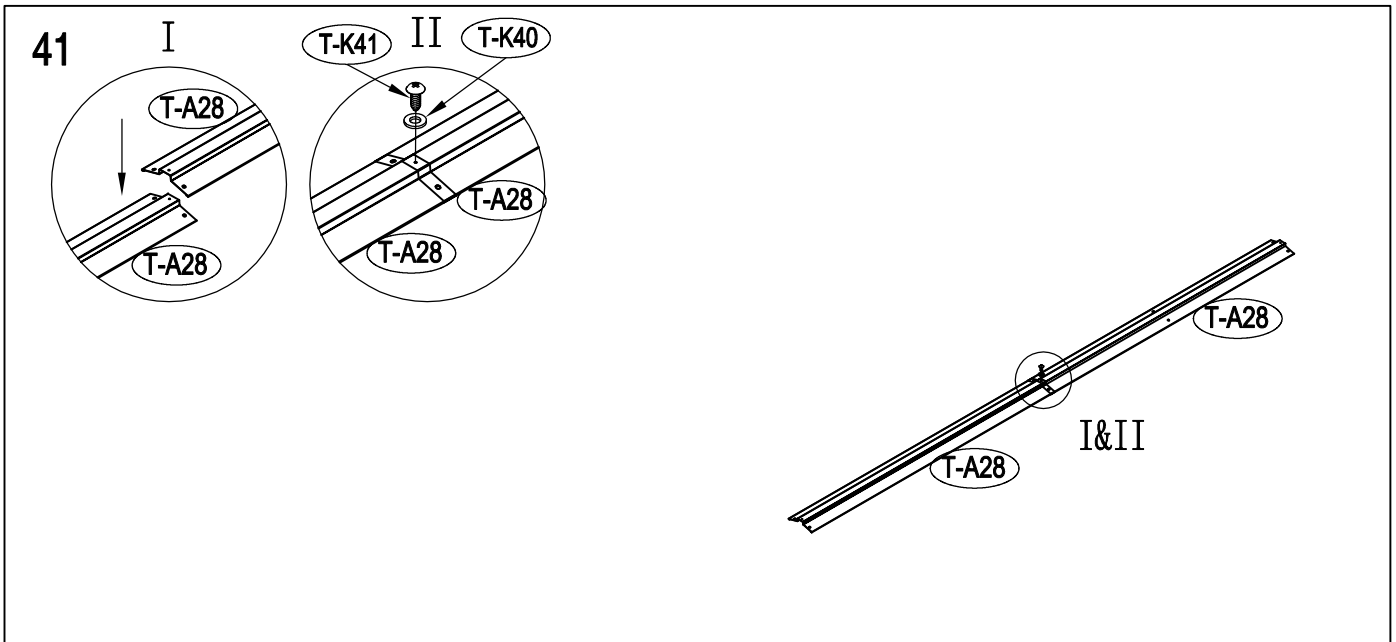
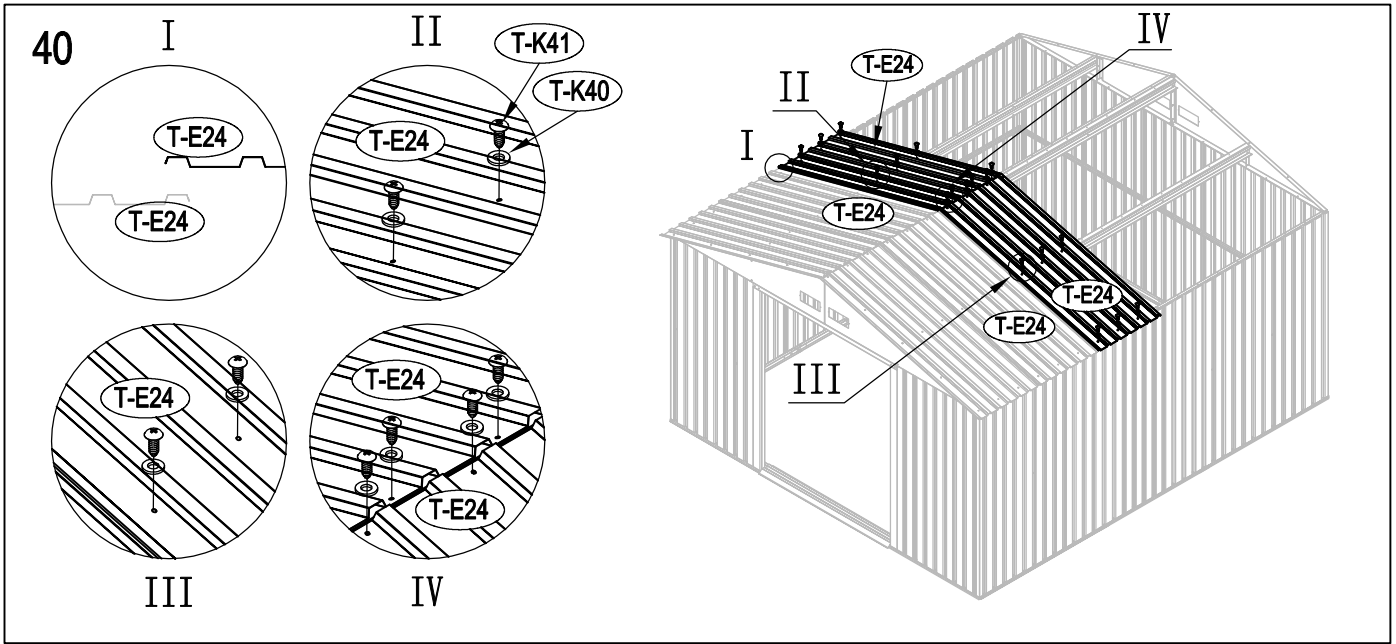
35

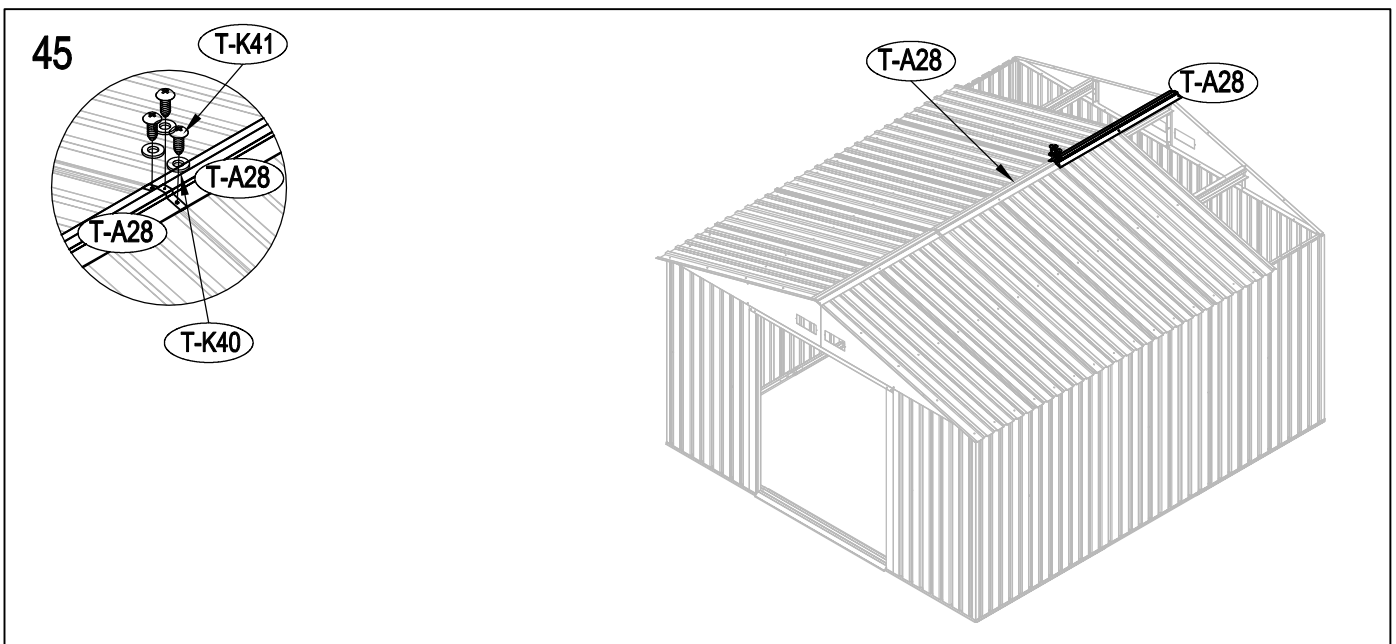
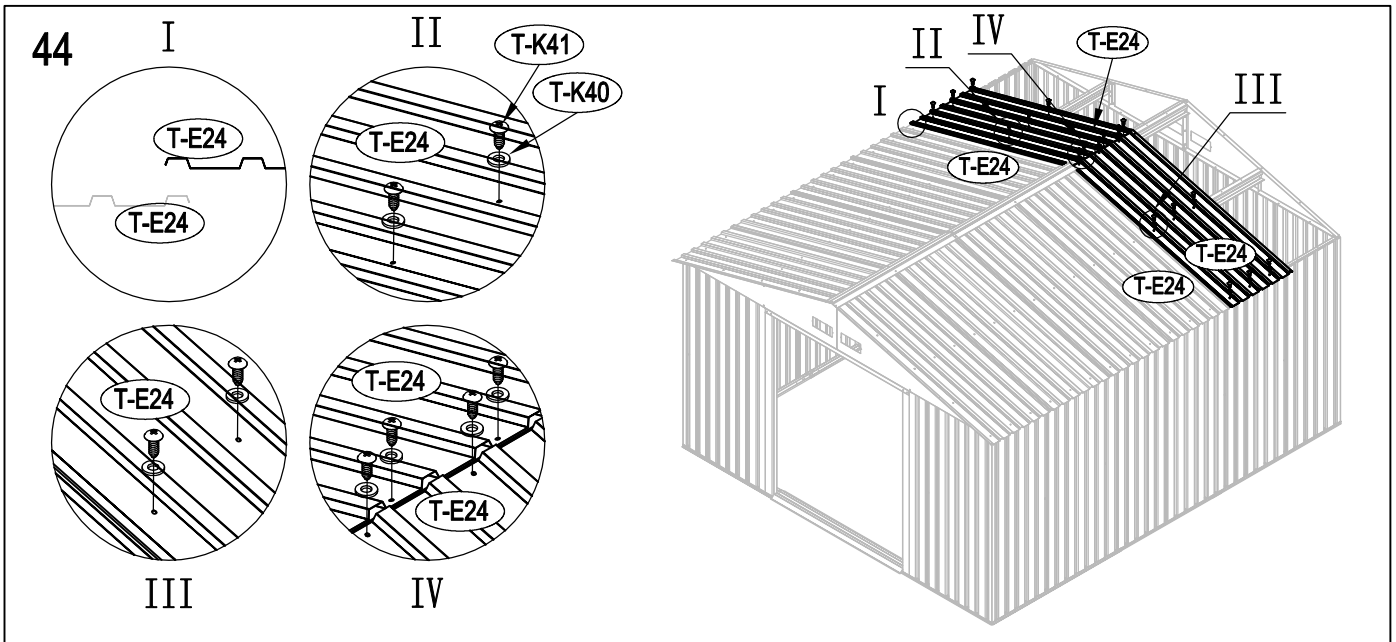
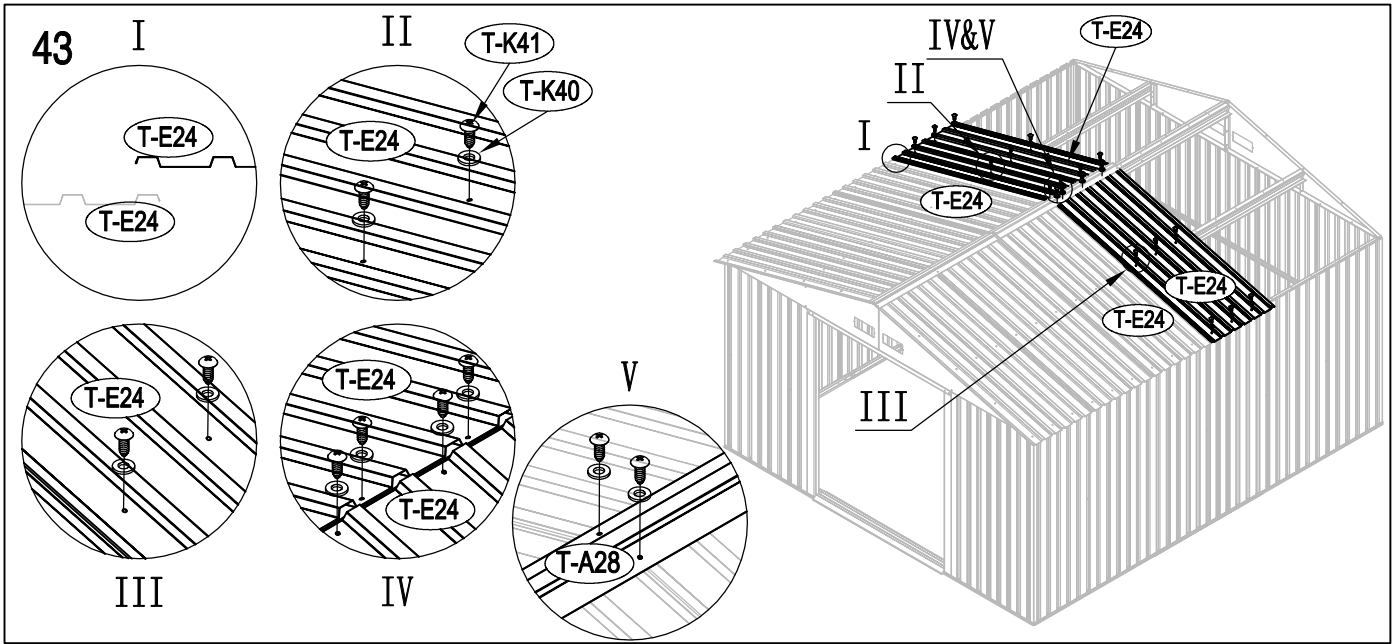


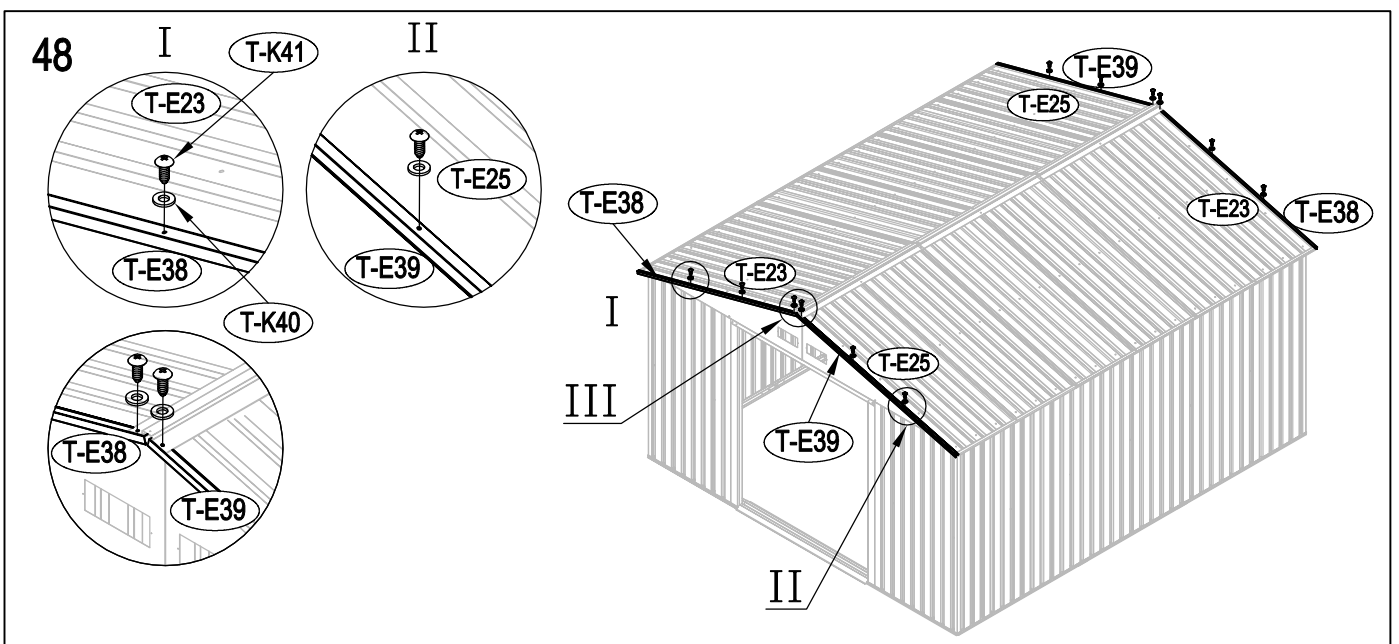
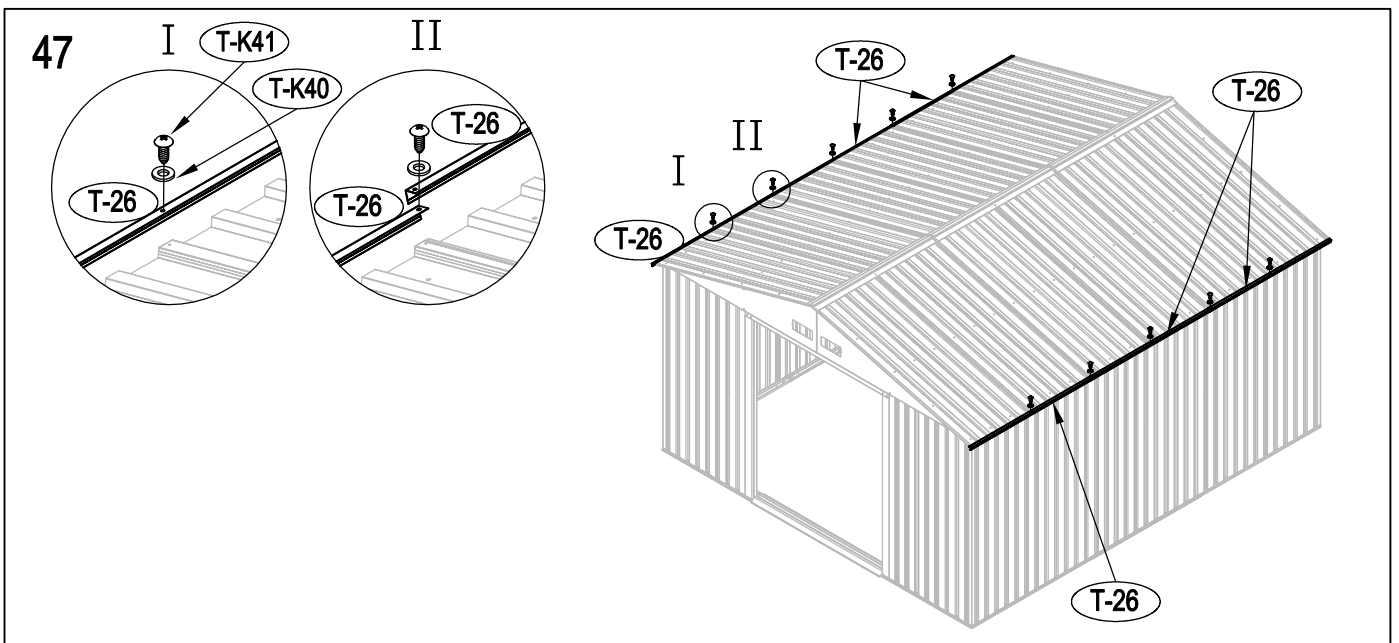
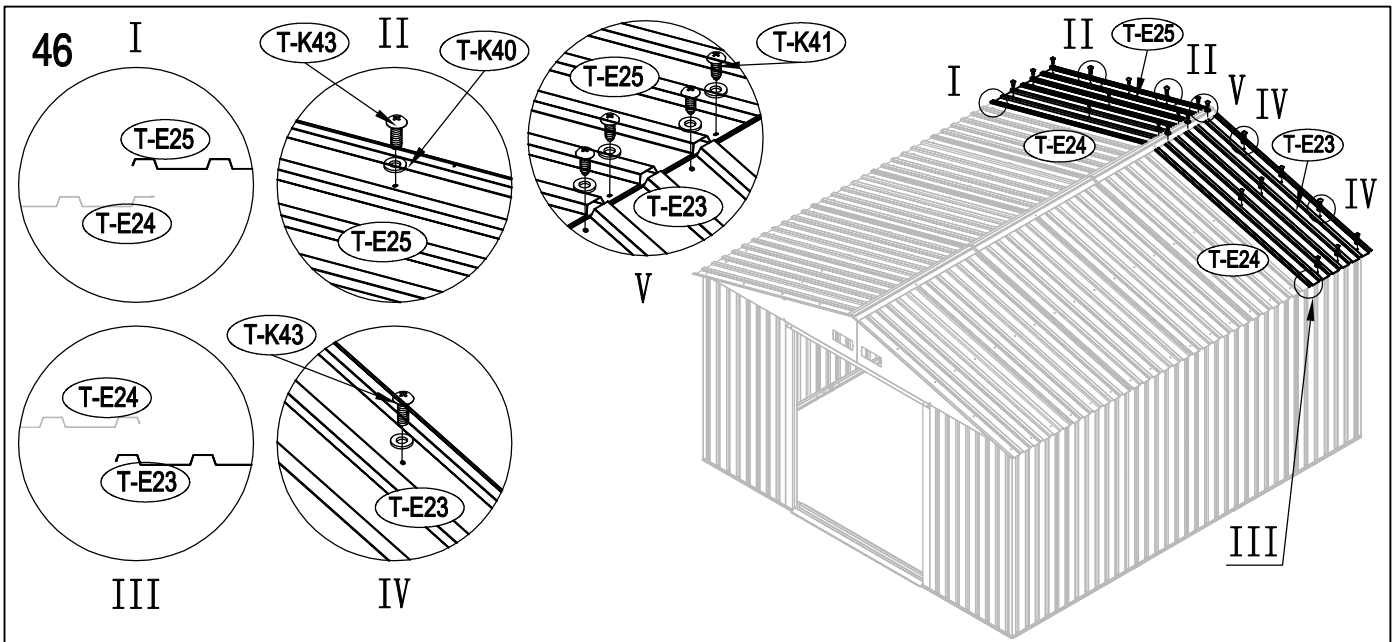
36

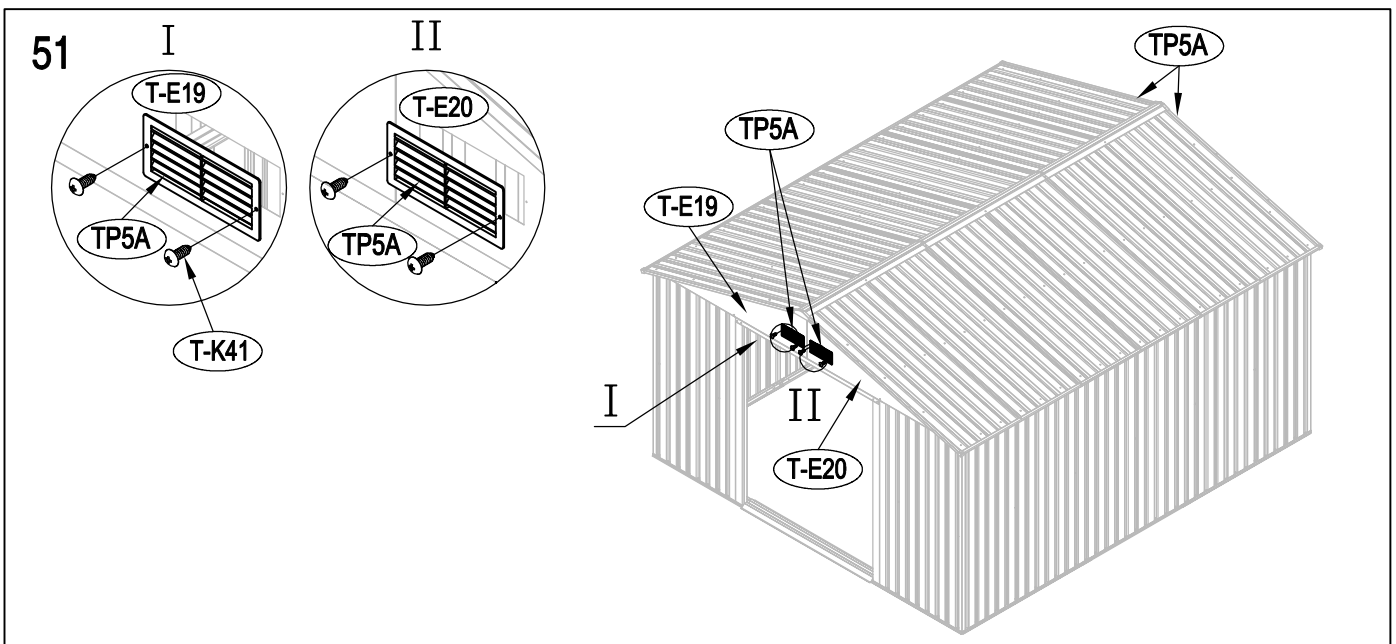
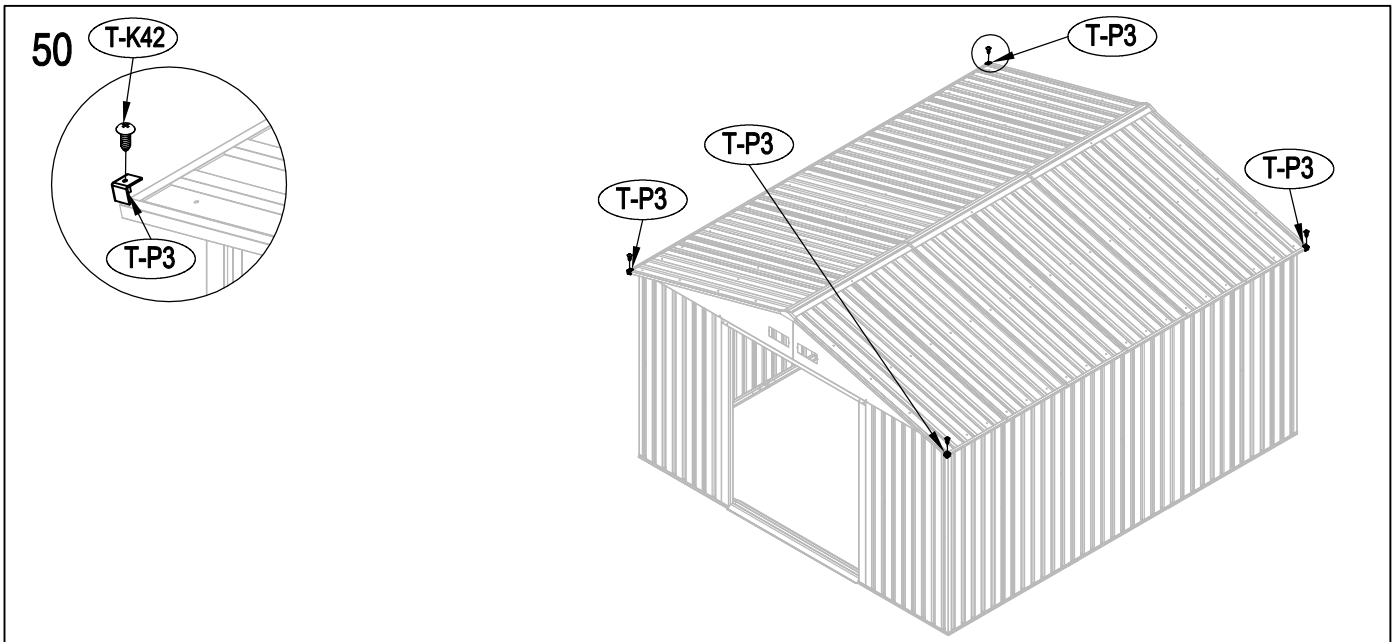
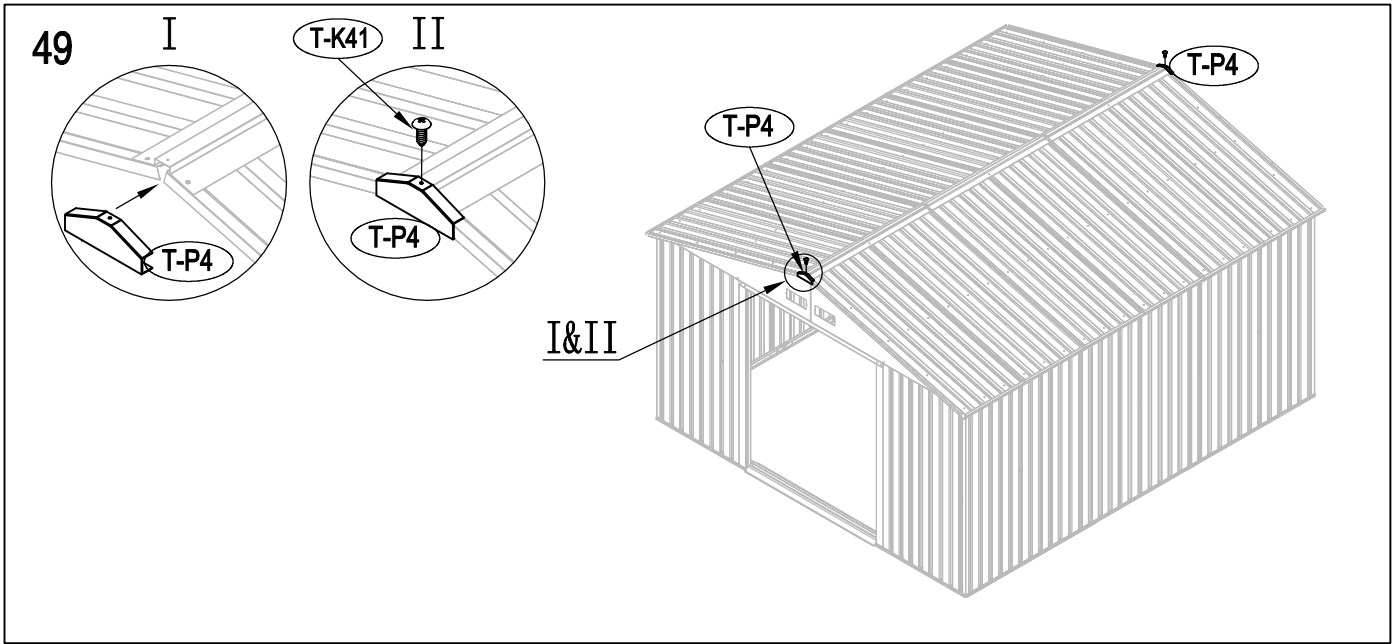




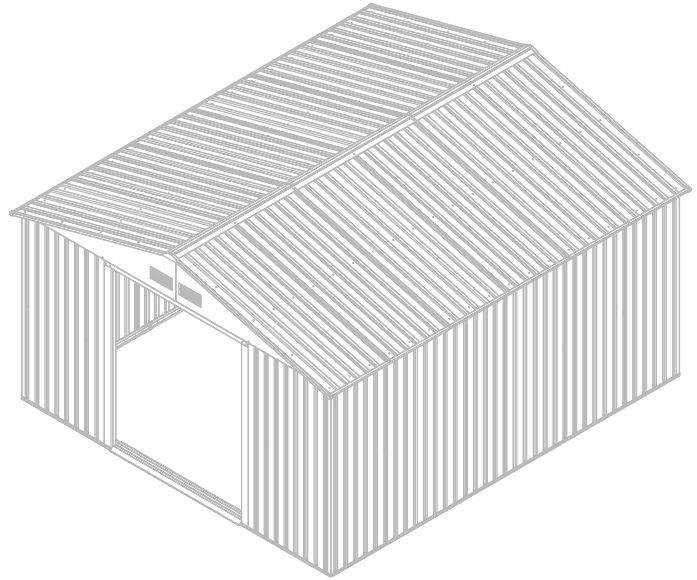
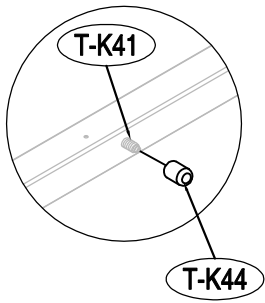








52



53

