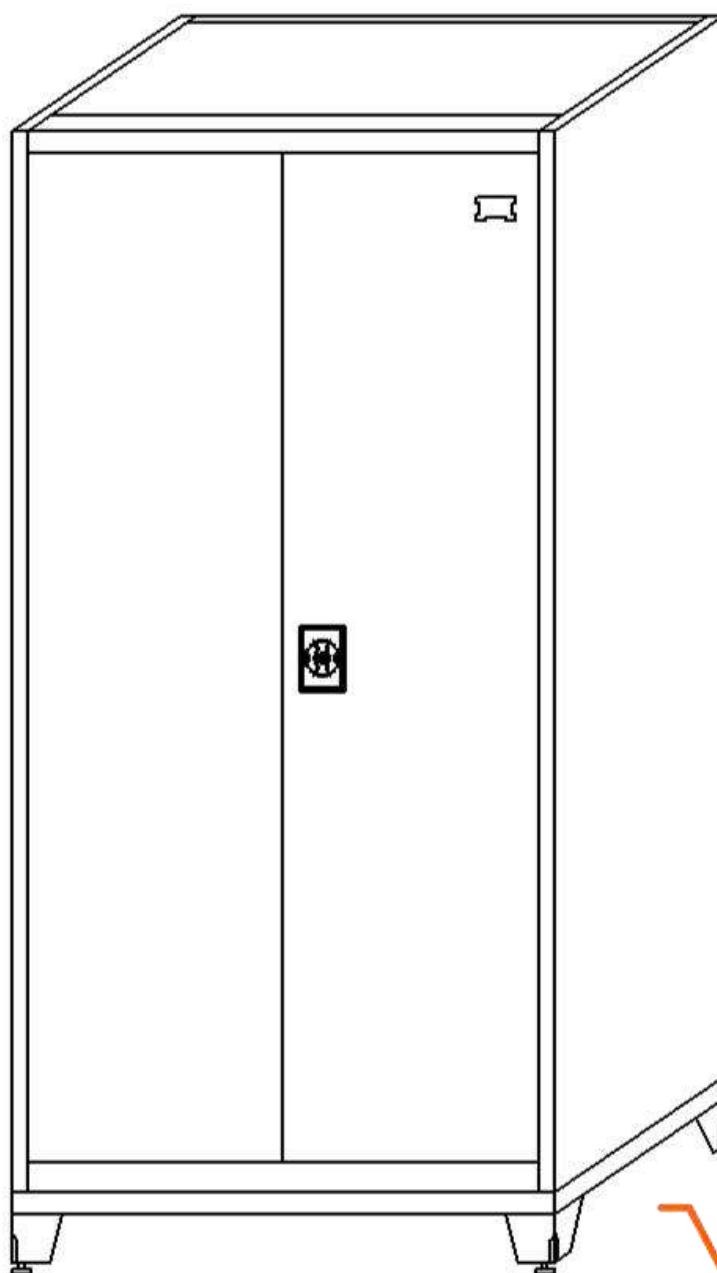


# Metal Wardrobe

---

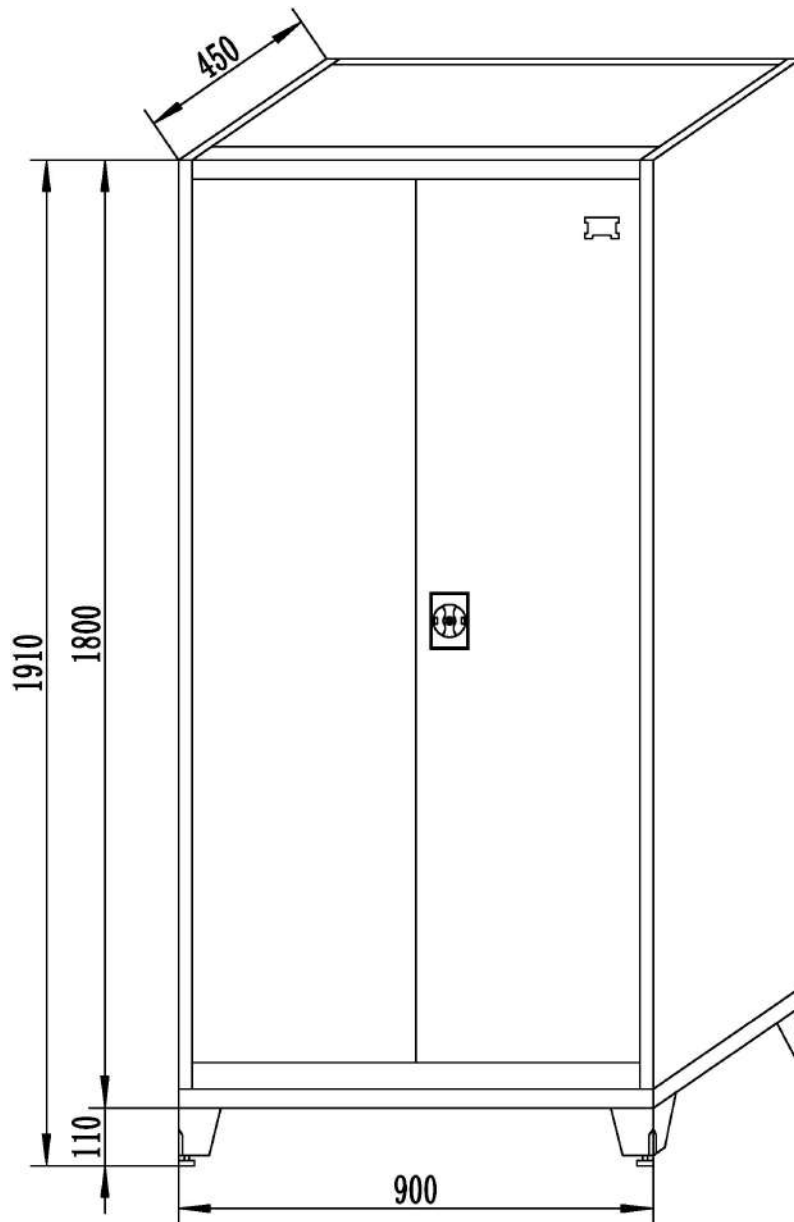
Owner's Manual/

Instruction for Assembly Model:452.001

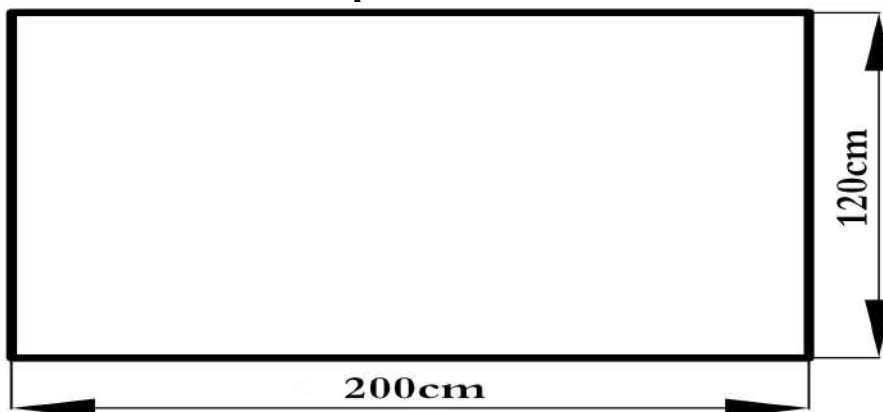


 apothiki365.gr

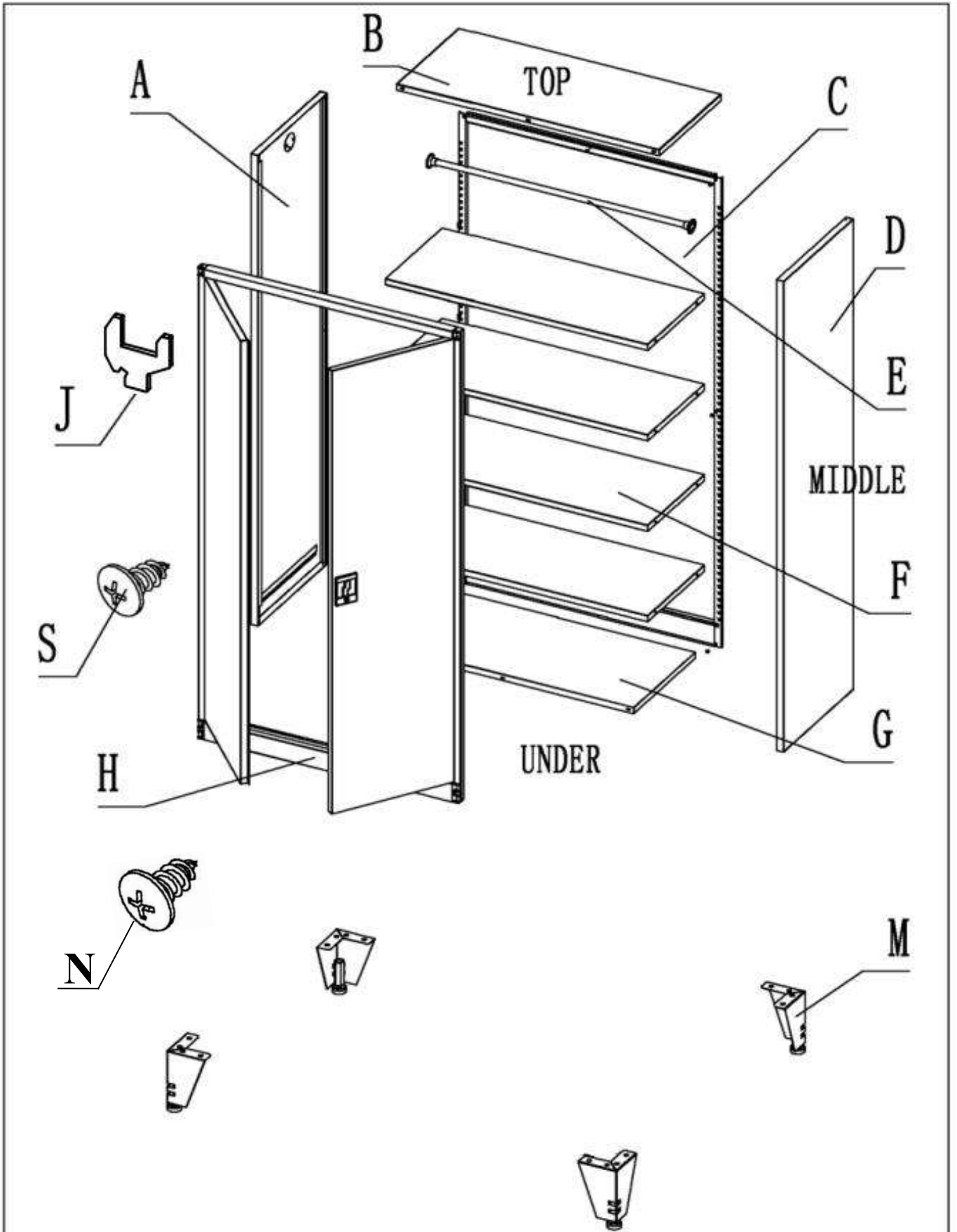
Size of Model:452.001






Area of installation requirement:

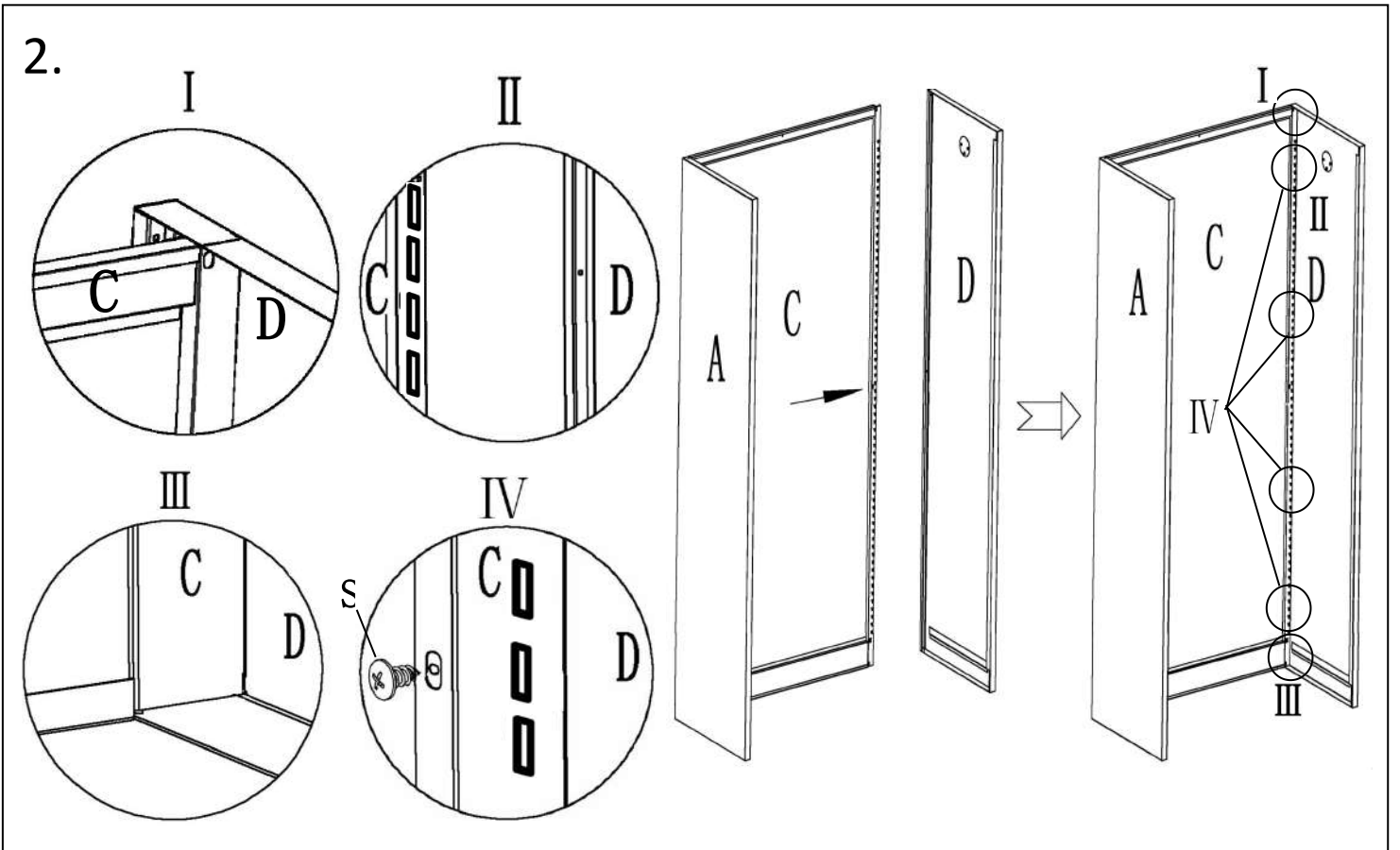
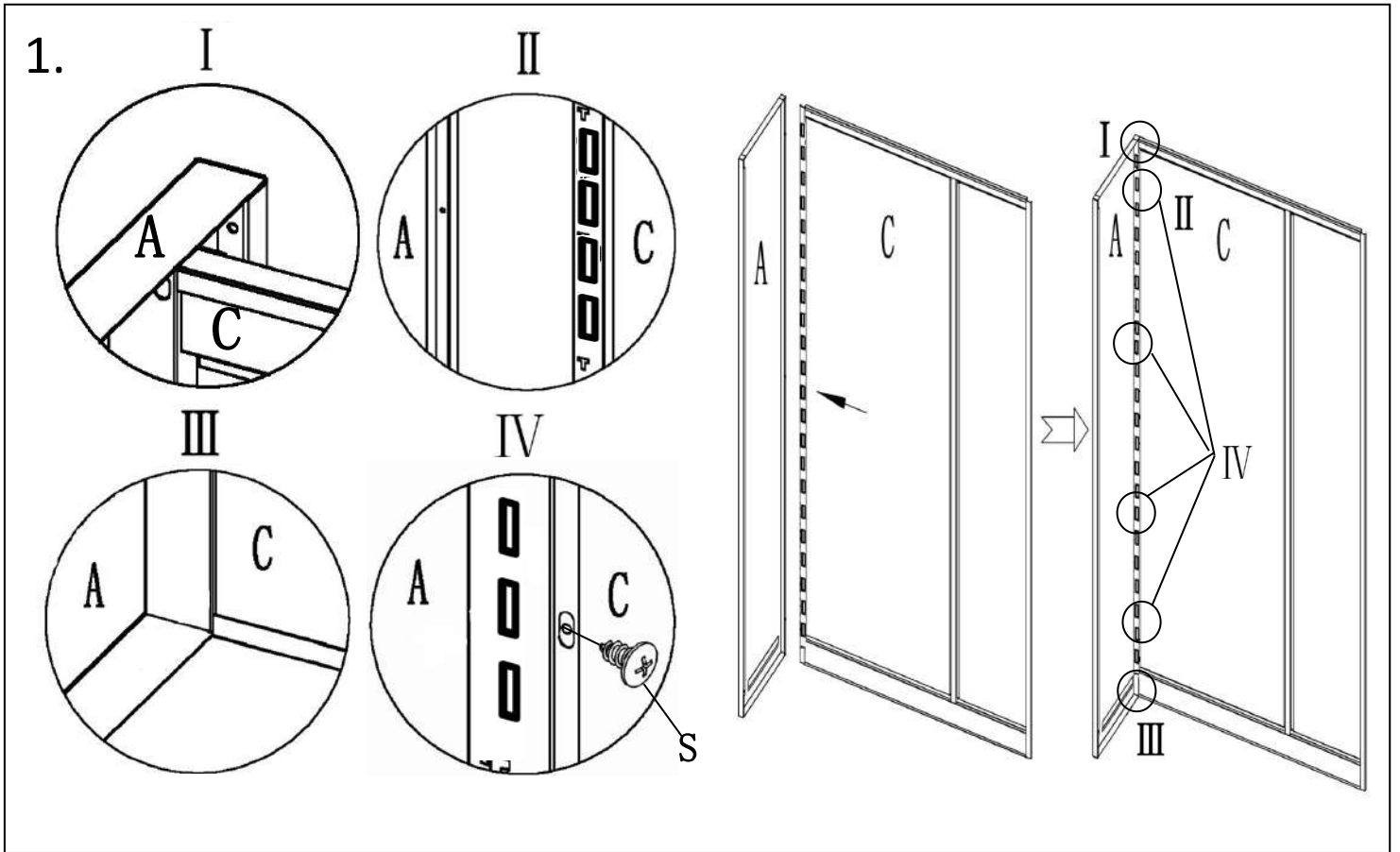


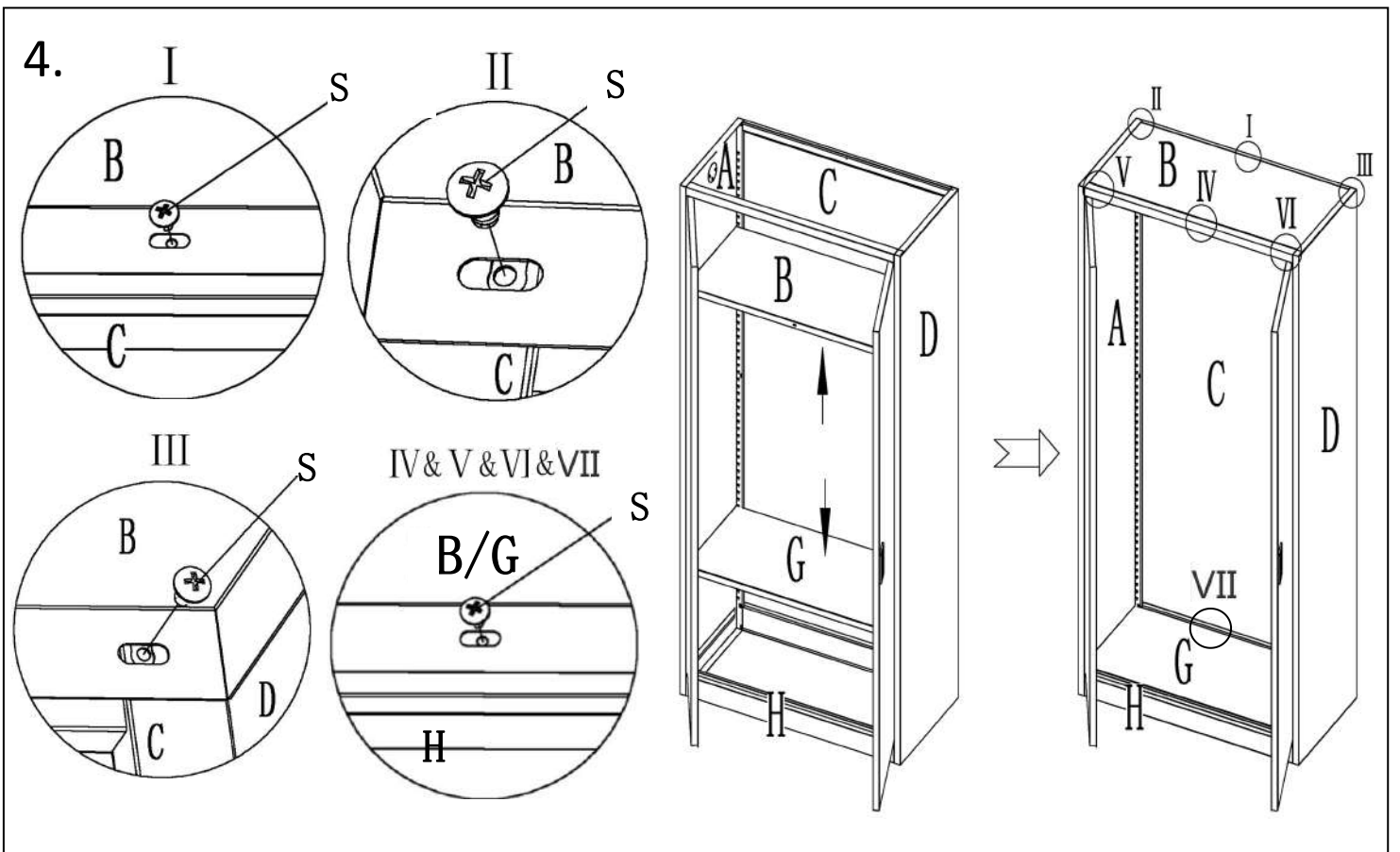
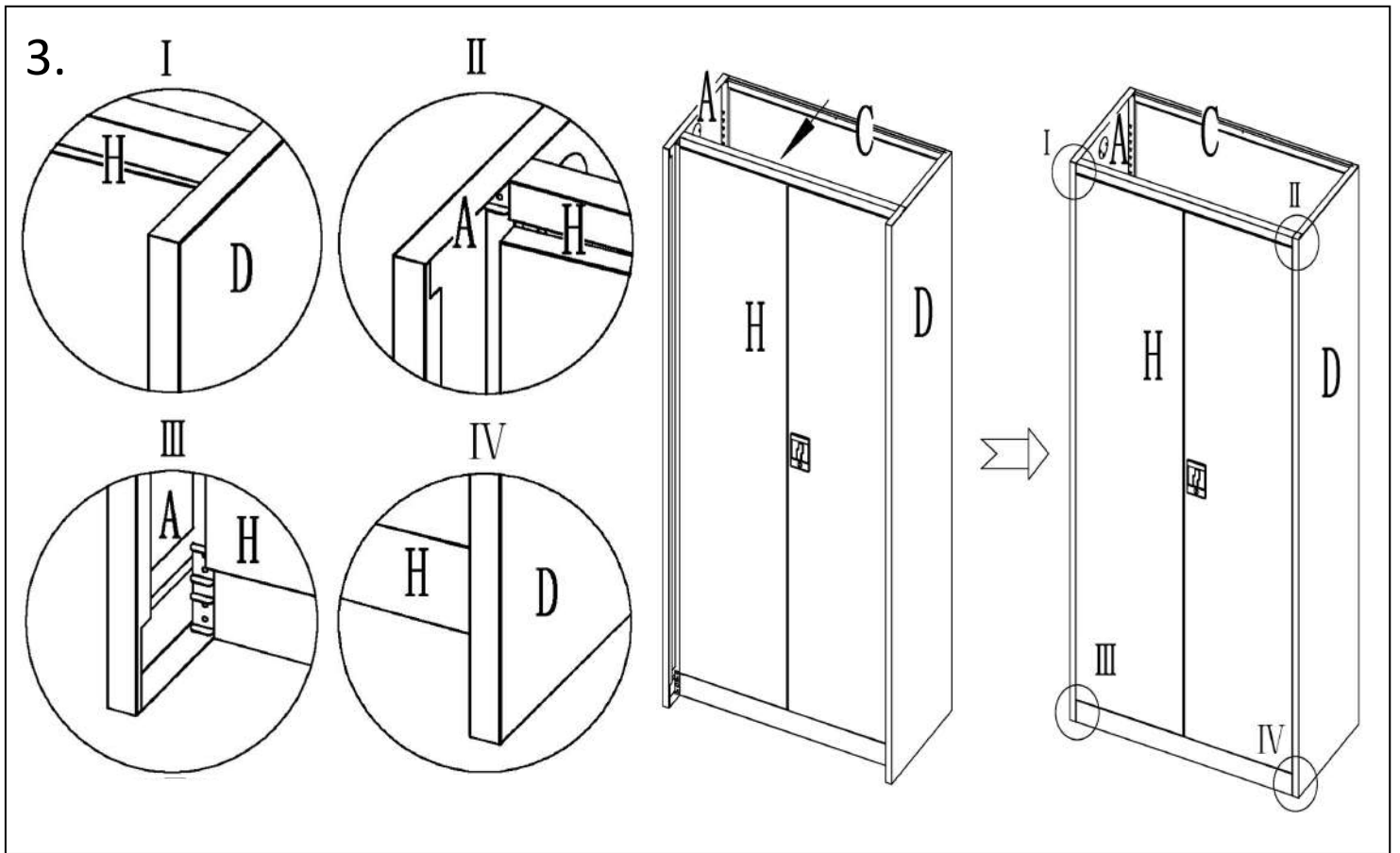
# Explosive View:



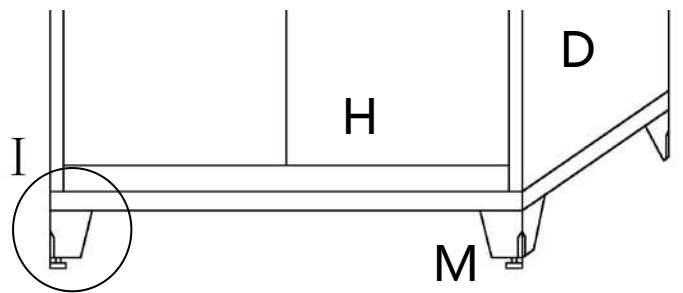
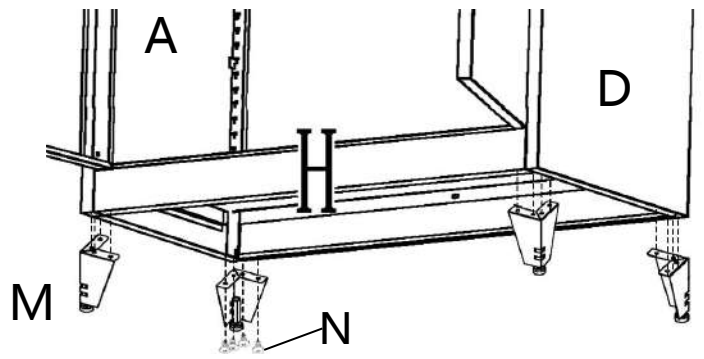
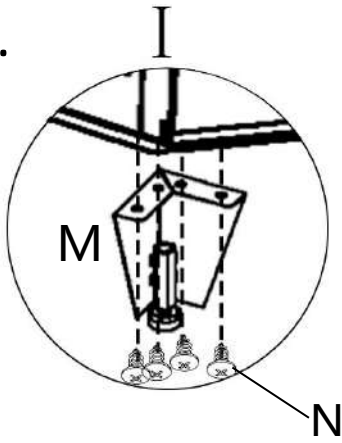
## Bill of Material:

No.	Size(mm)	Quantity(pc)
TOP		
B	411*896	x1
MIDDLE		
A	450*1800	x1
D	450*1800	x1
C	900*1800	x1
H	900*1800	x1
E	900	x1
F	411*896	x4
UNDER		
G	411*896	x1
M	60*60*110	x4
ANNEX		
J		x16
S		x15
N		x16



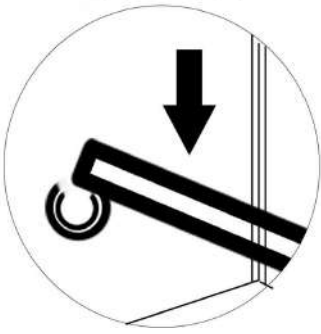


5.

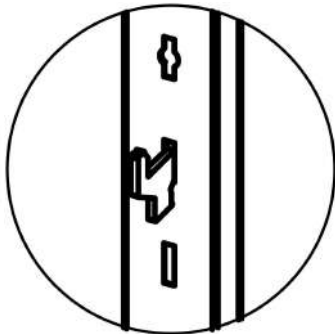


6.

I & II



III



IV

