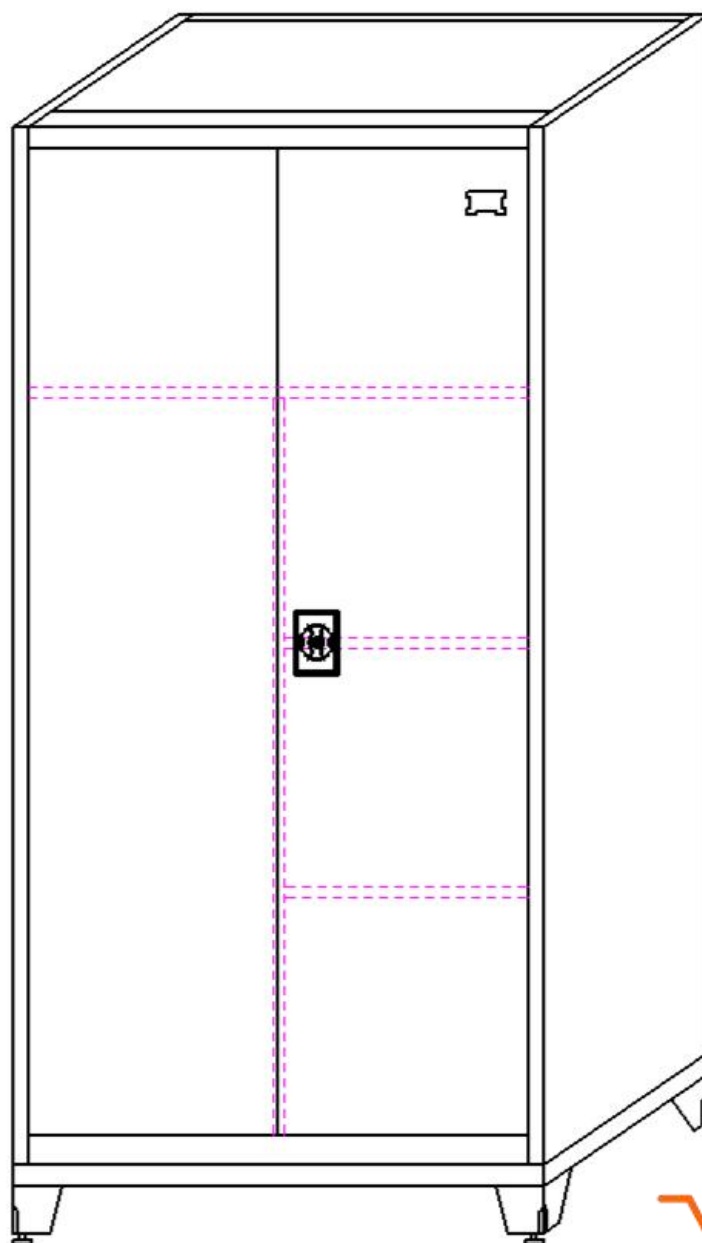


# Metal Wardrobe

---

Owner's Manual/

Instruction for Assembly Model:452.003



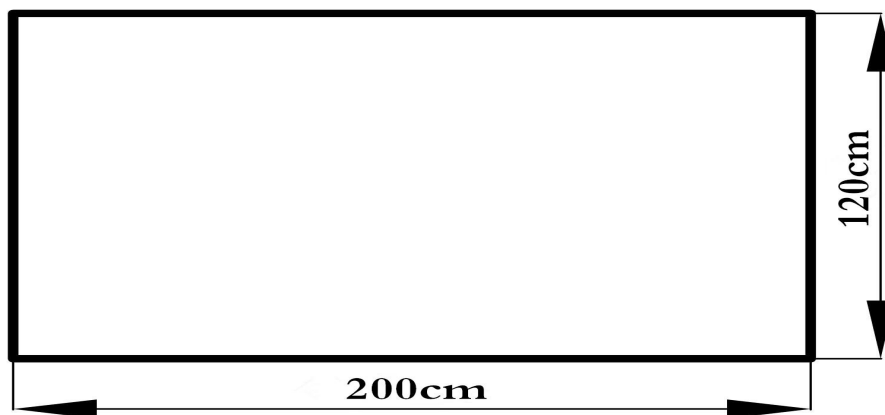
 apothiki365.gr

# Size of Model:452.003

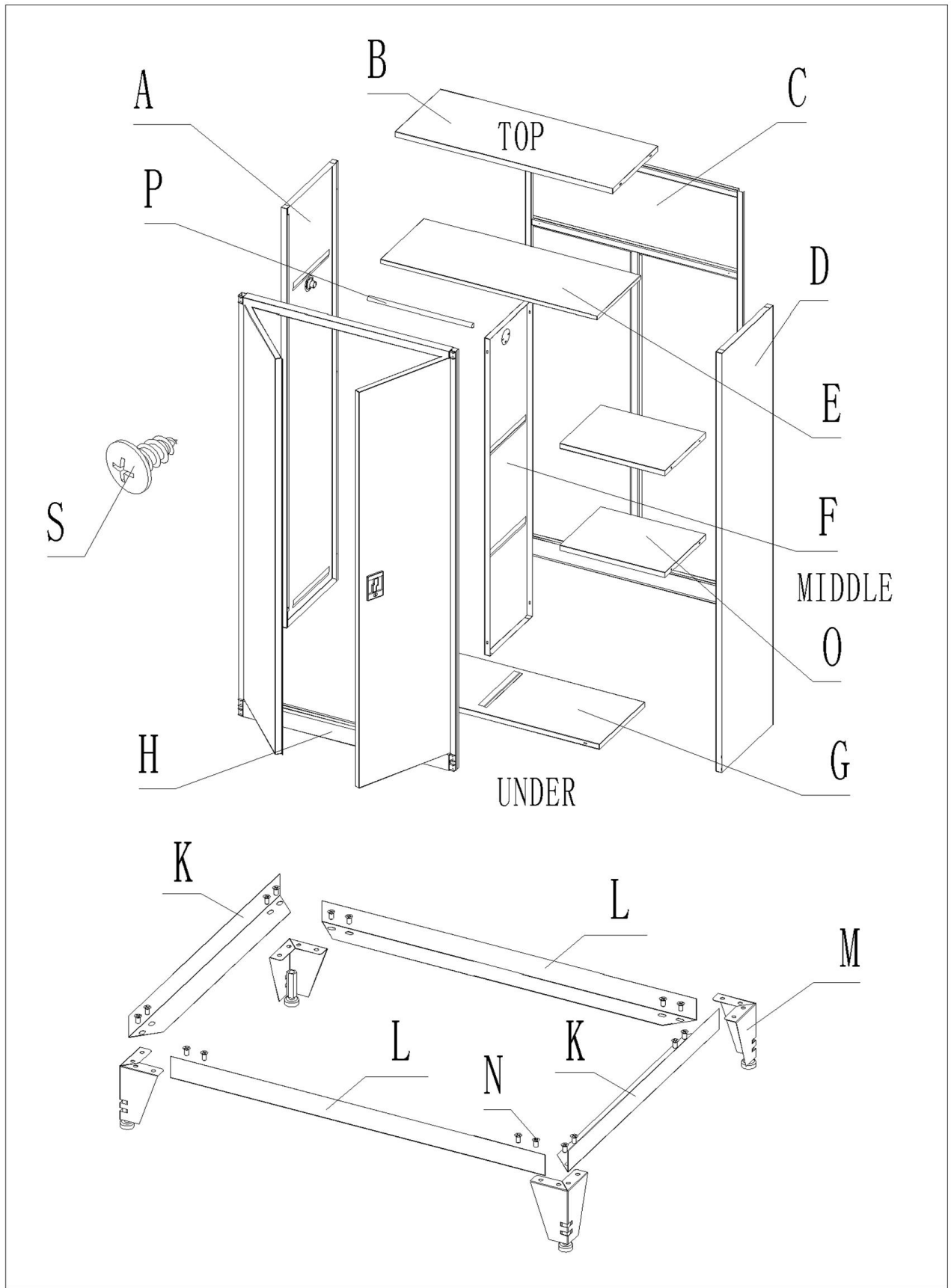


---

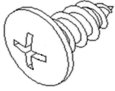

## Area of installation requirement:

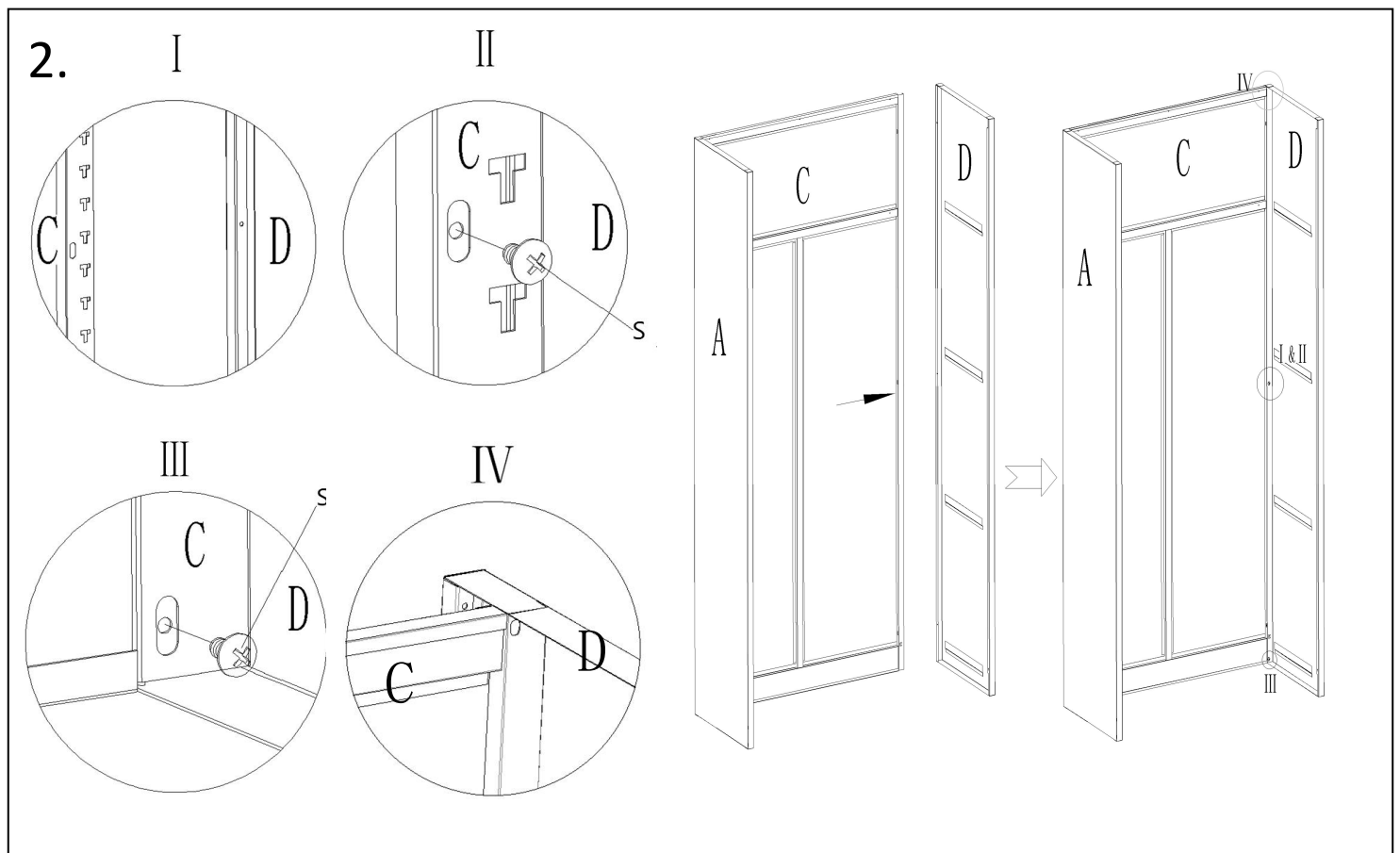
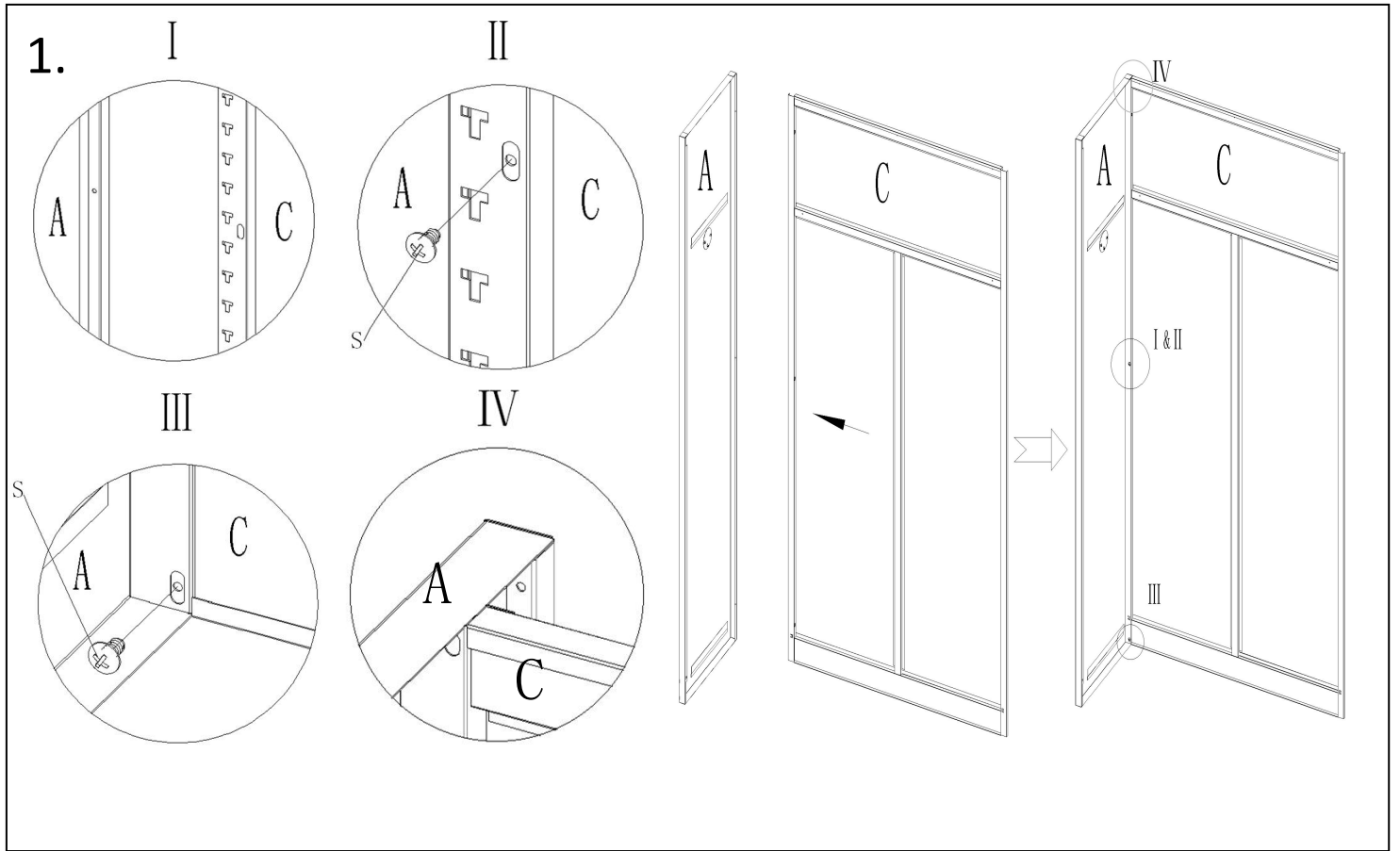


# Explosive View:

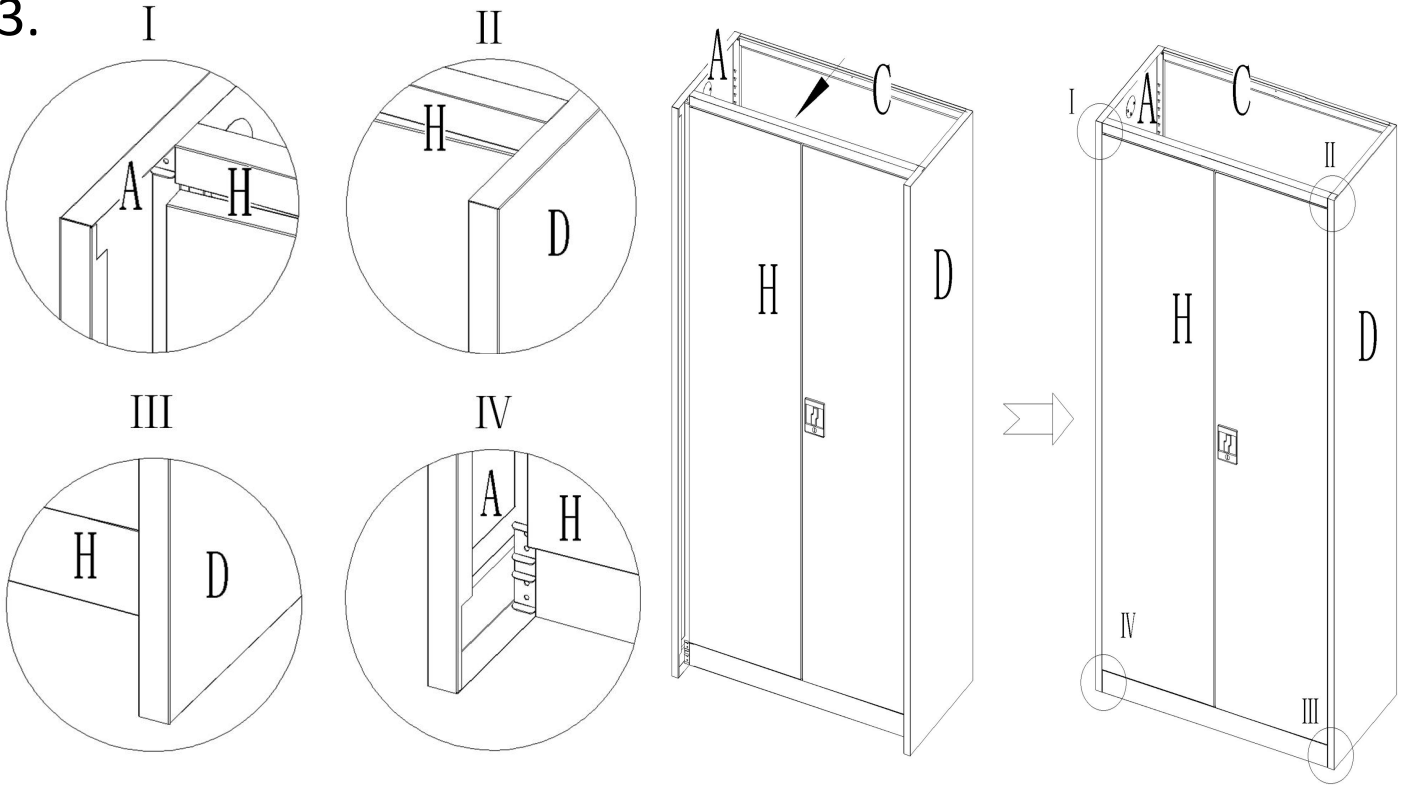


## Bill of Material:

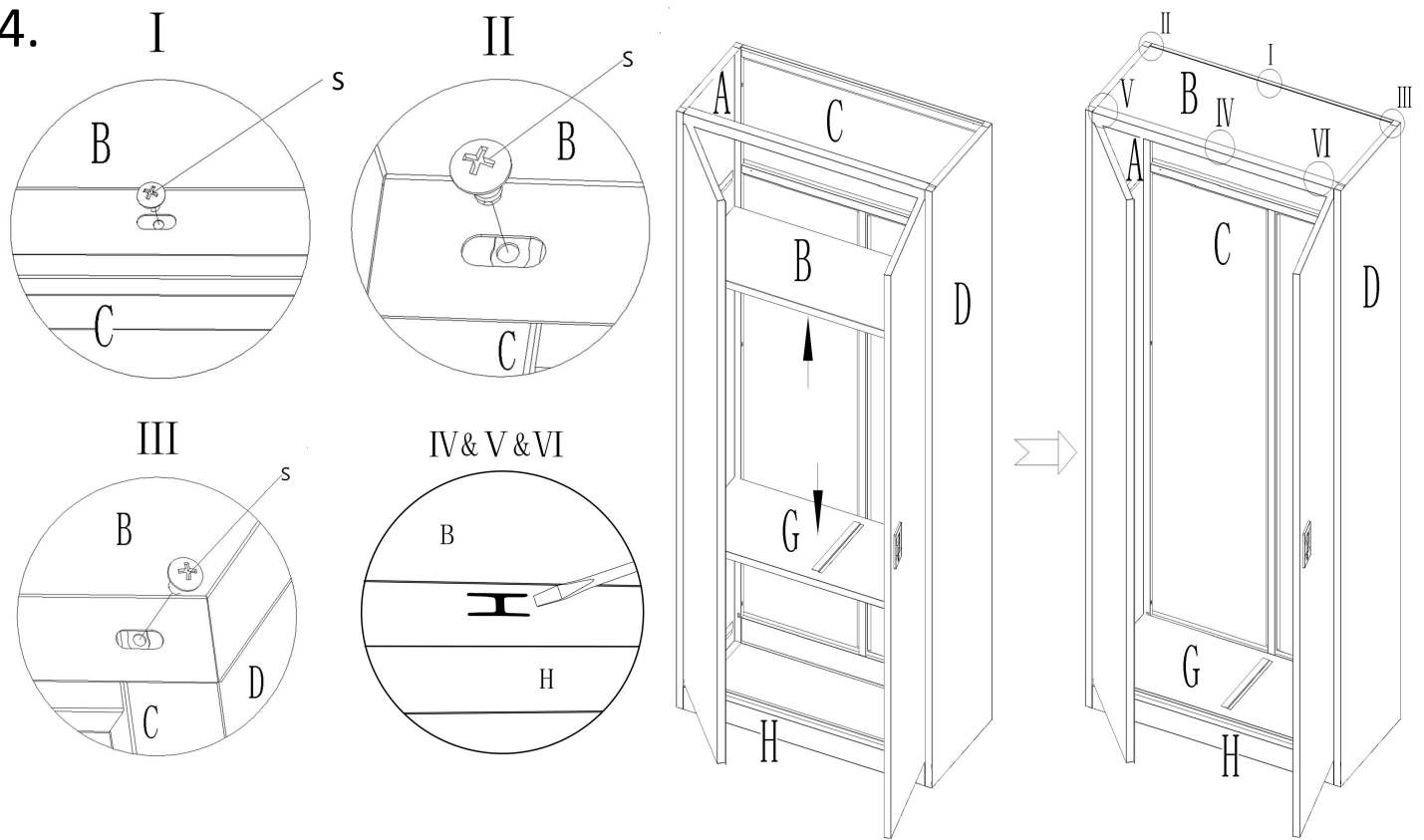
No.	Size(mm)	Quantity(pc)
<b>TOP</b>		
B	413*898	x1
<b>MIDDLE</b>		
A	450*1800	x1
D	450*1800	x1
C	900*1800	x1
H	900*1800	x1
E	411*898	x1
F	400*1417	x1
O	388*460	x2
<b>UNDER</b>		
G	413*898	x1
K	36*450	x2
L	36*900	x2
M	60*60*110	x4
<b>ANNEX</b>		
S		x7
N		x16



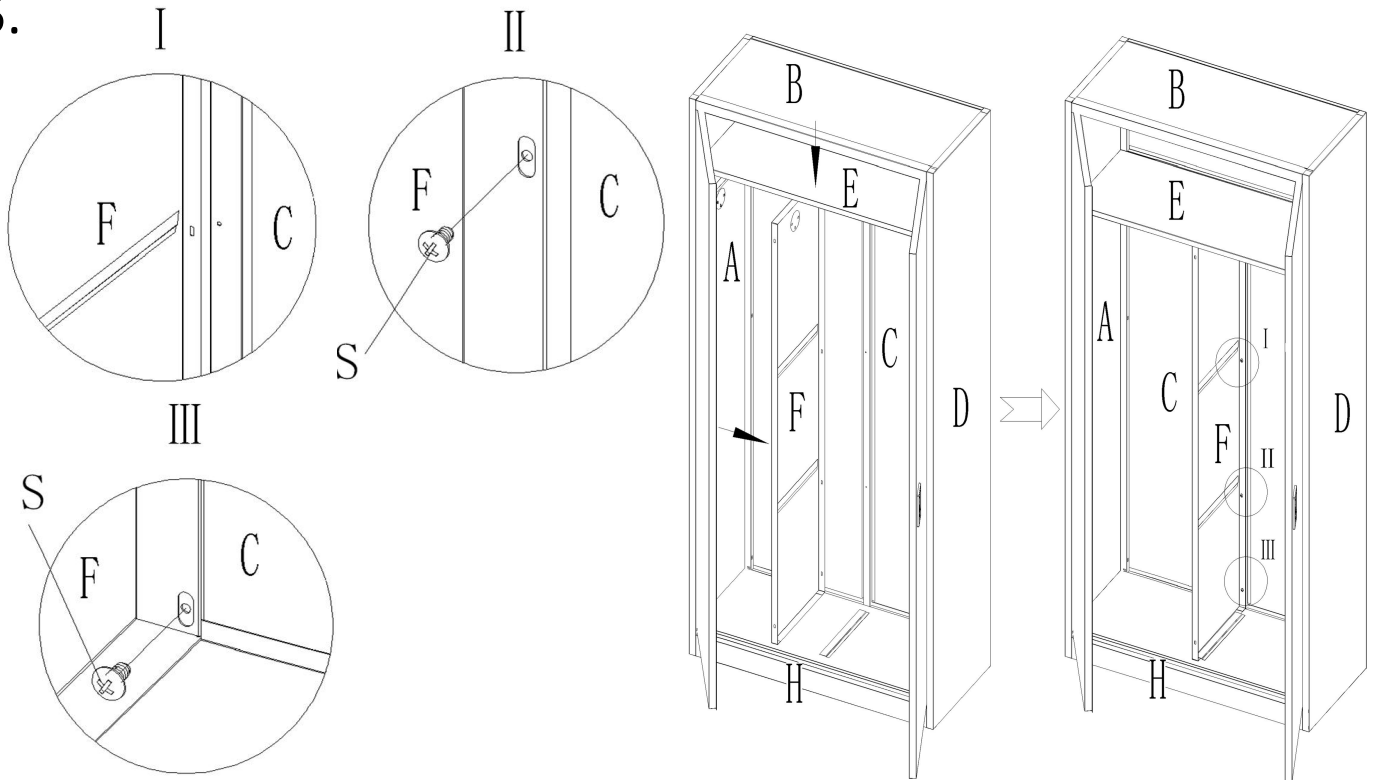
3.



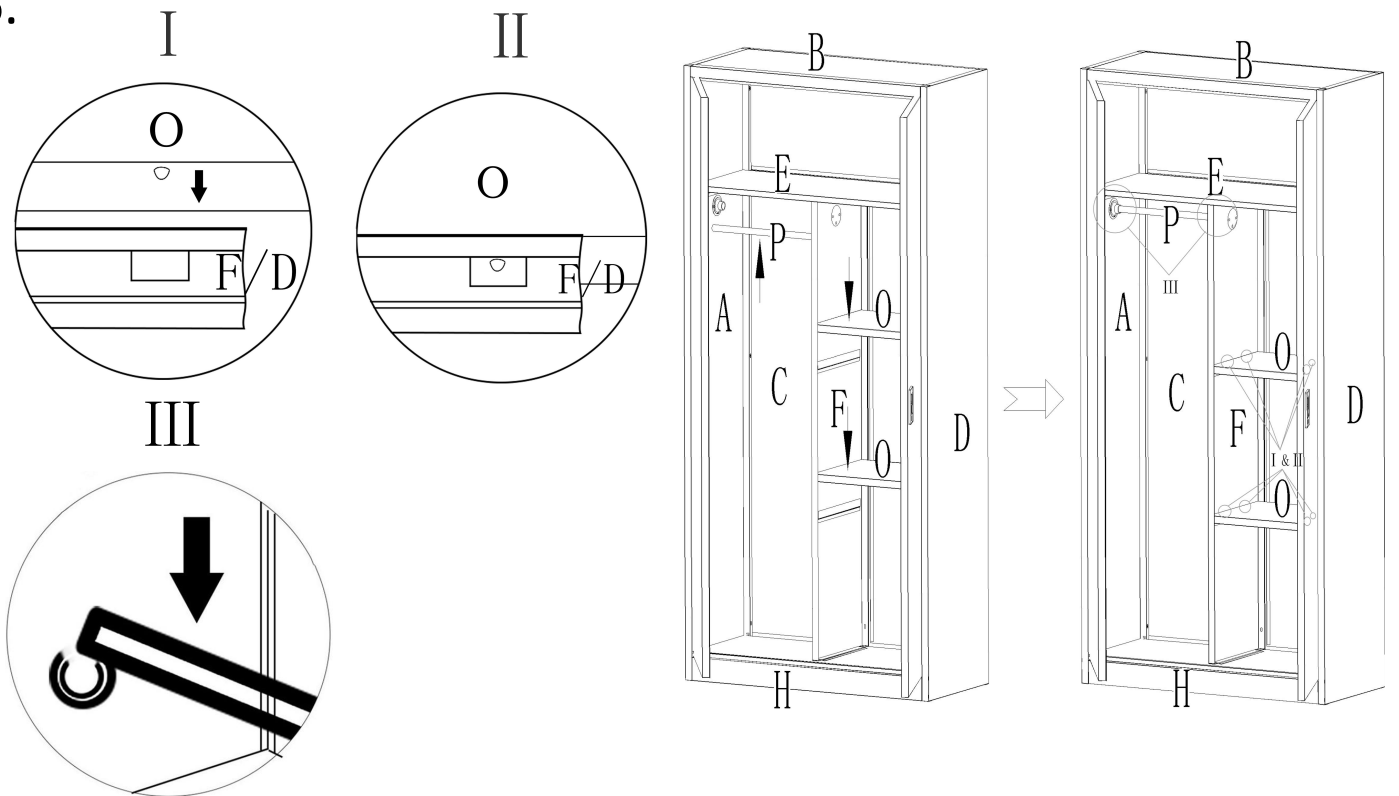
4.



5.



6.



7.

