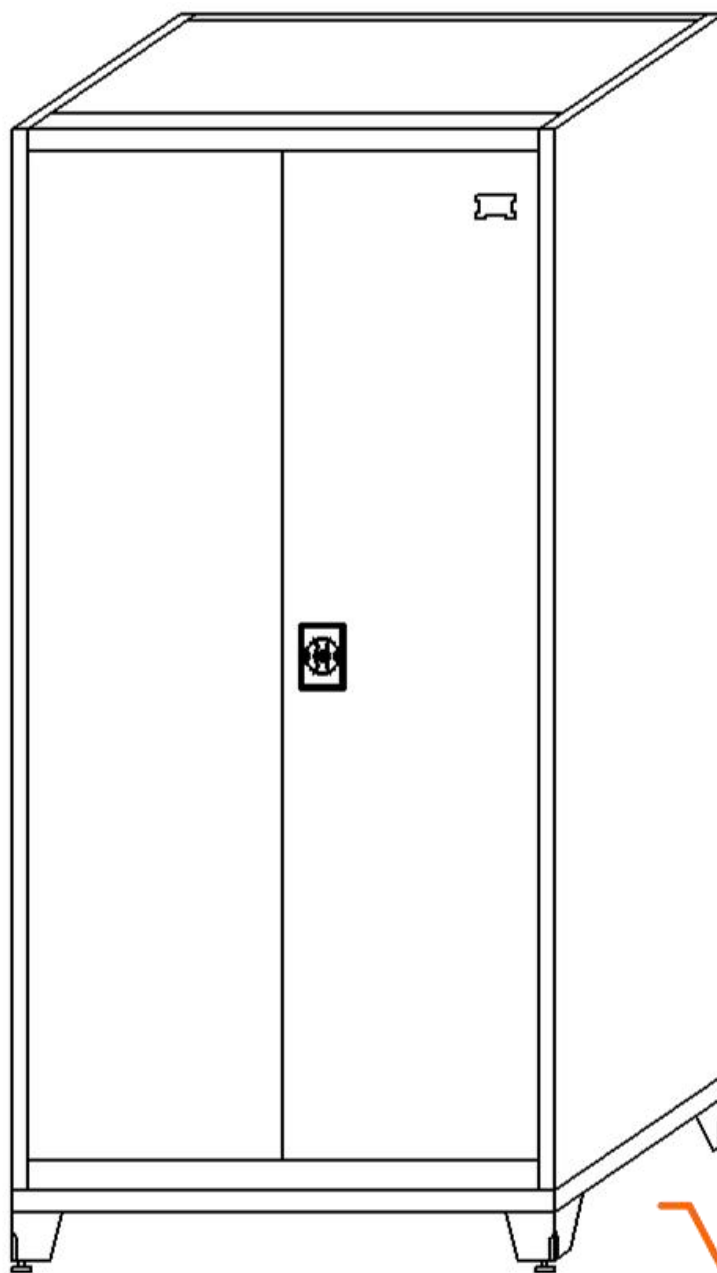


Metal Wardrobe

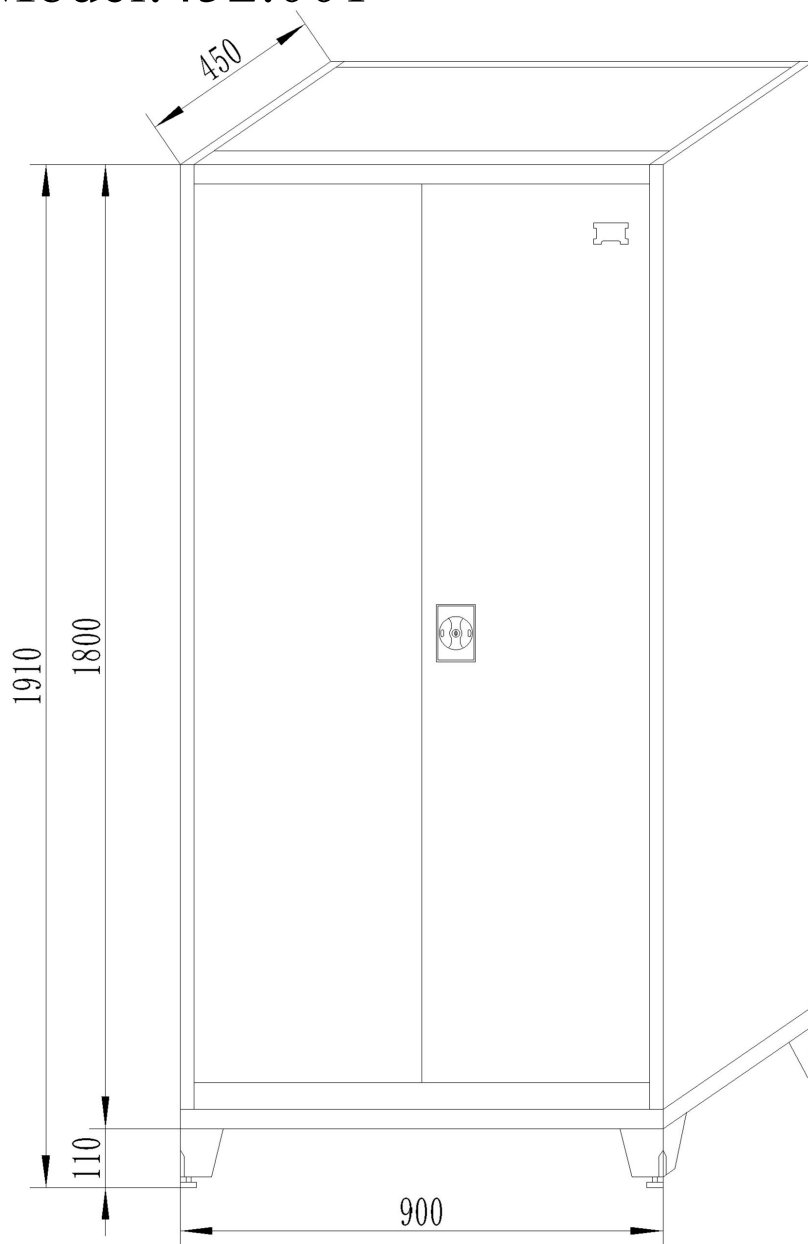
Owner's Manual/

Instruction for Assembly Model:452.001

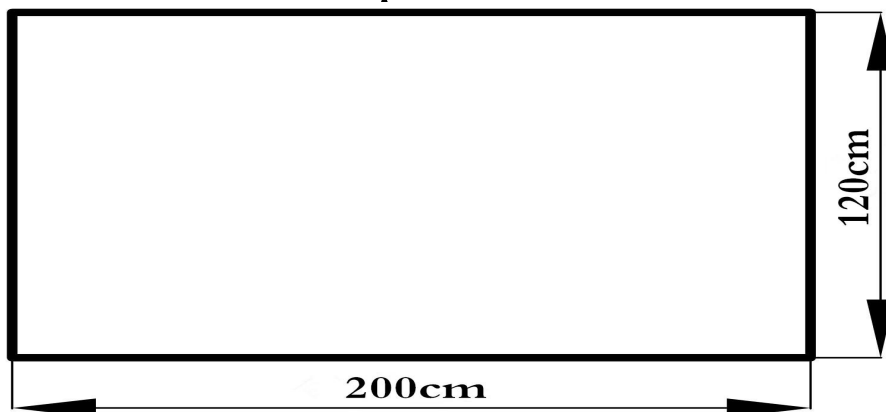



apothiki365.gr

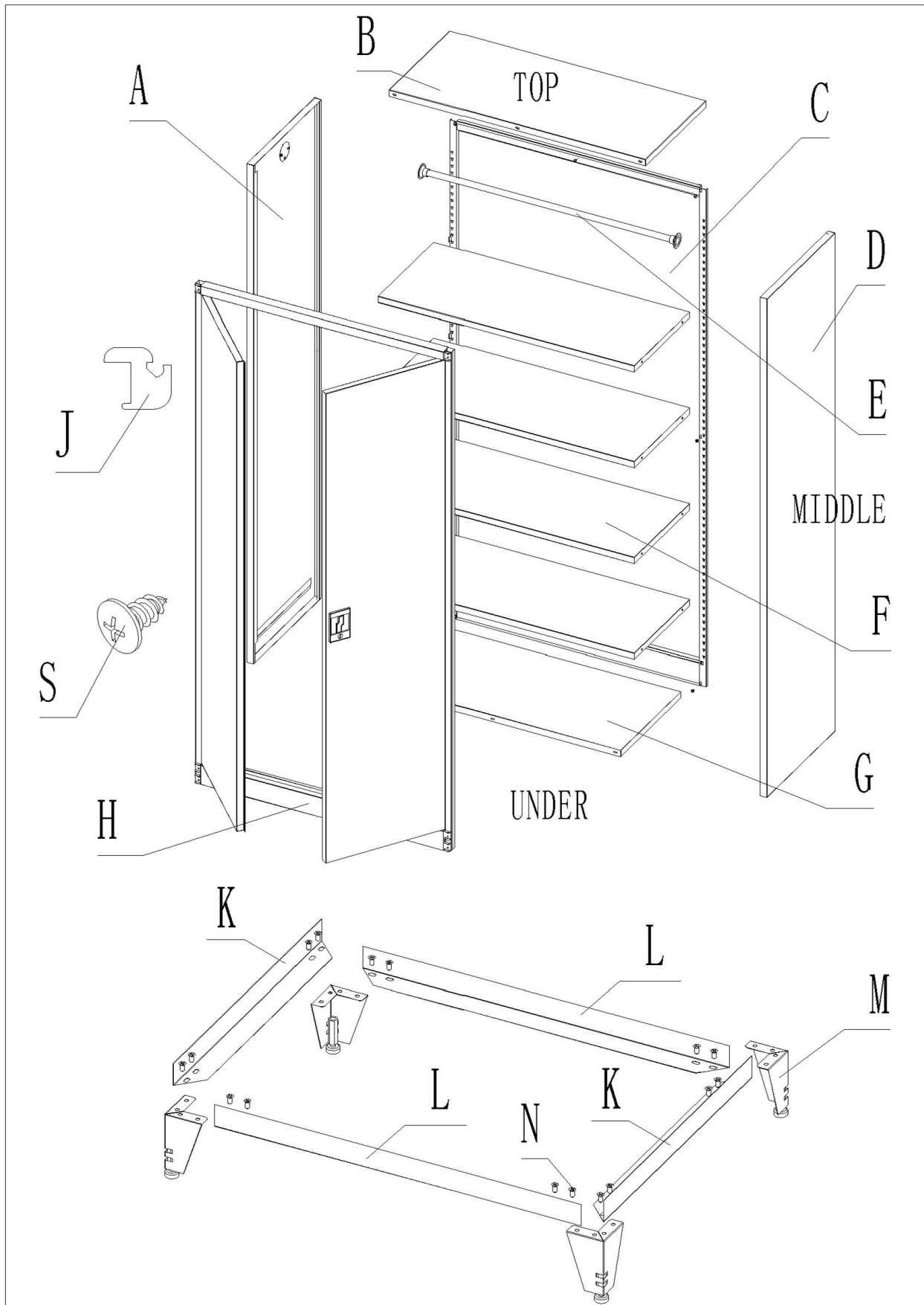
Size of Model:452.001




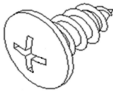

Area of installation requirement:

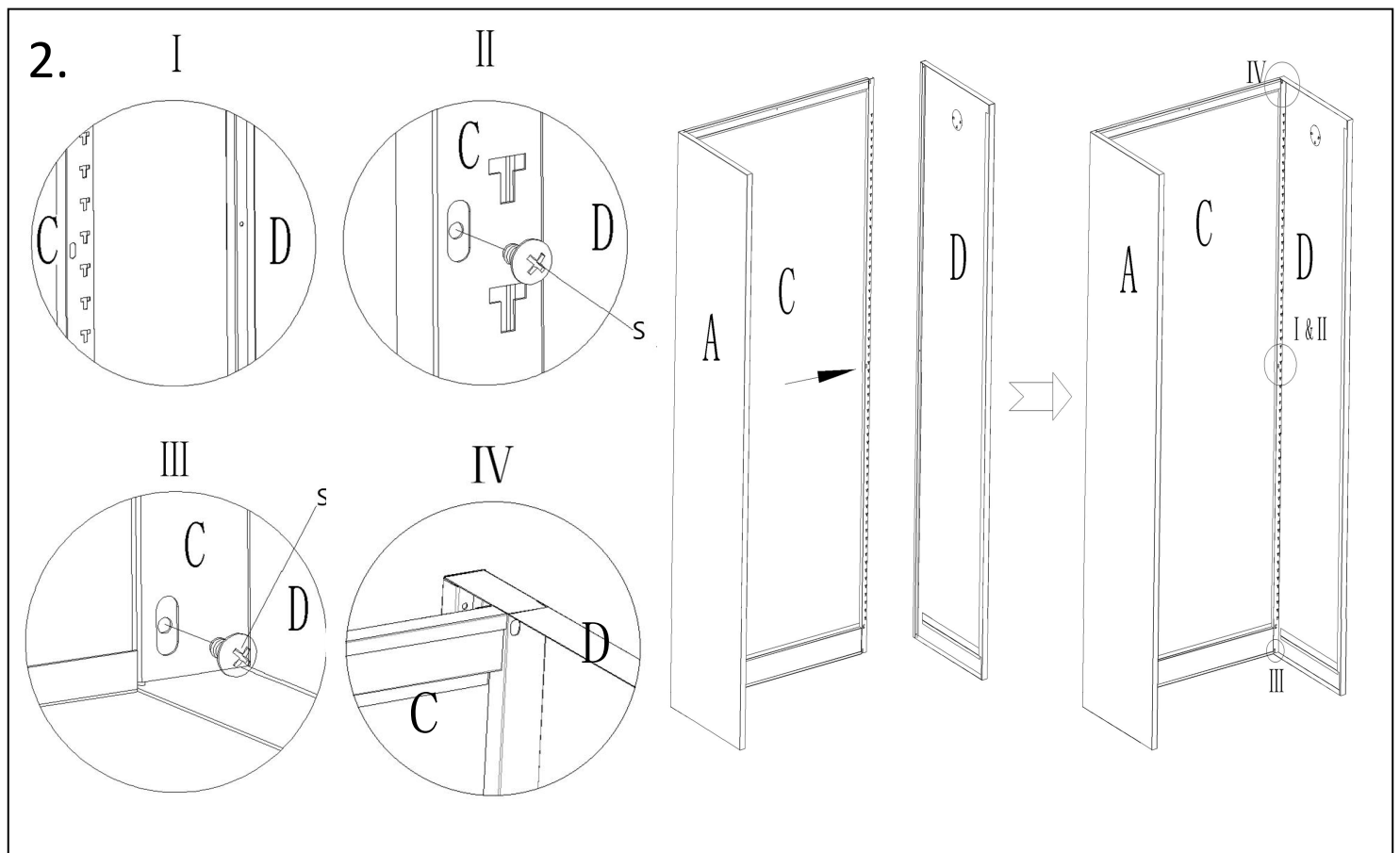
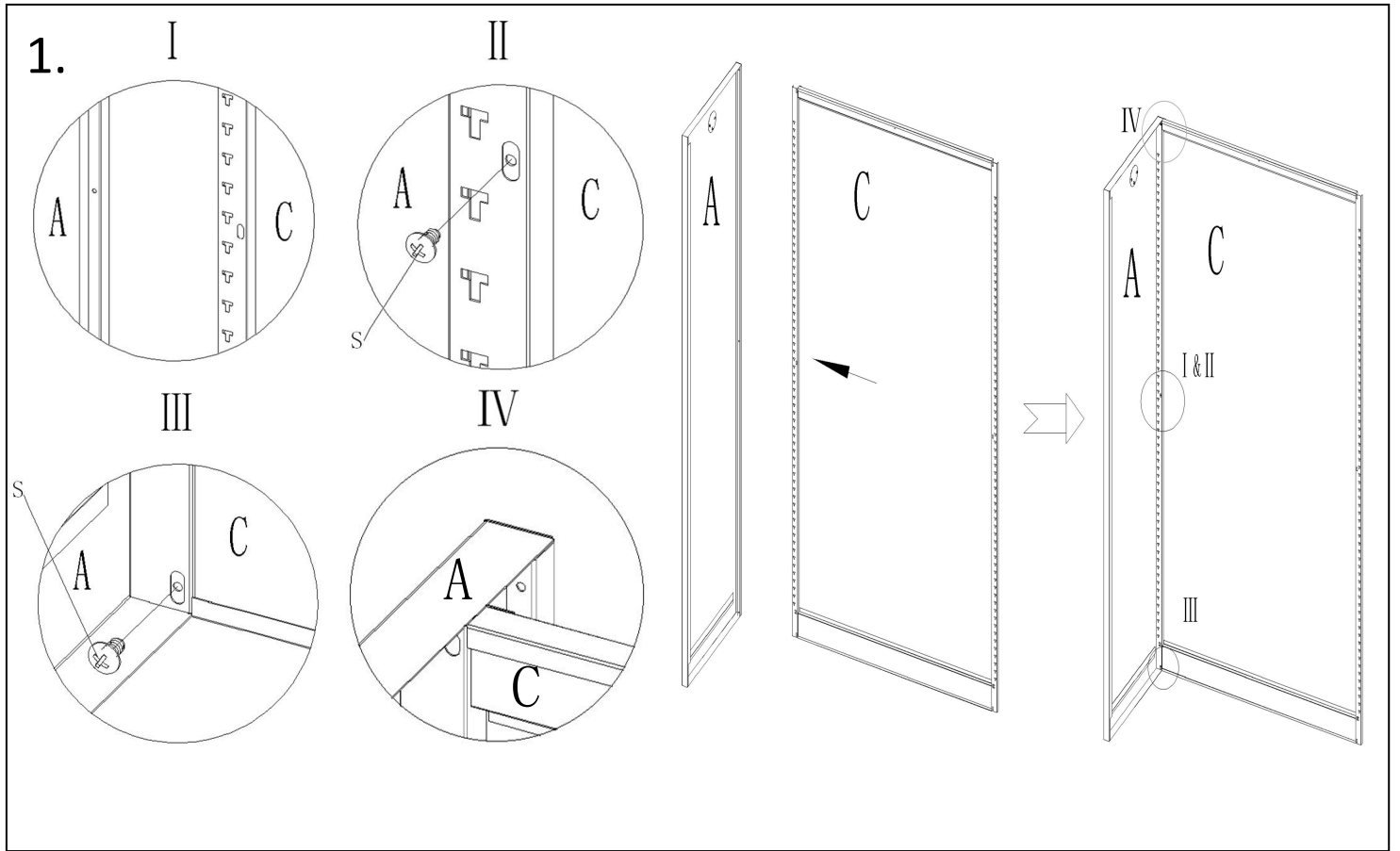


Explosive View:

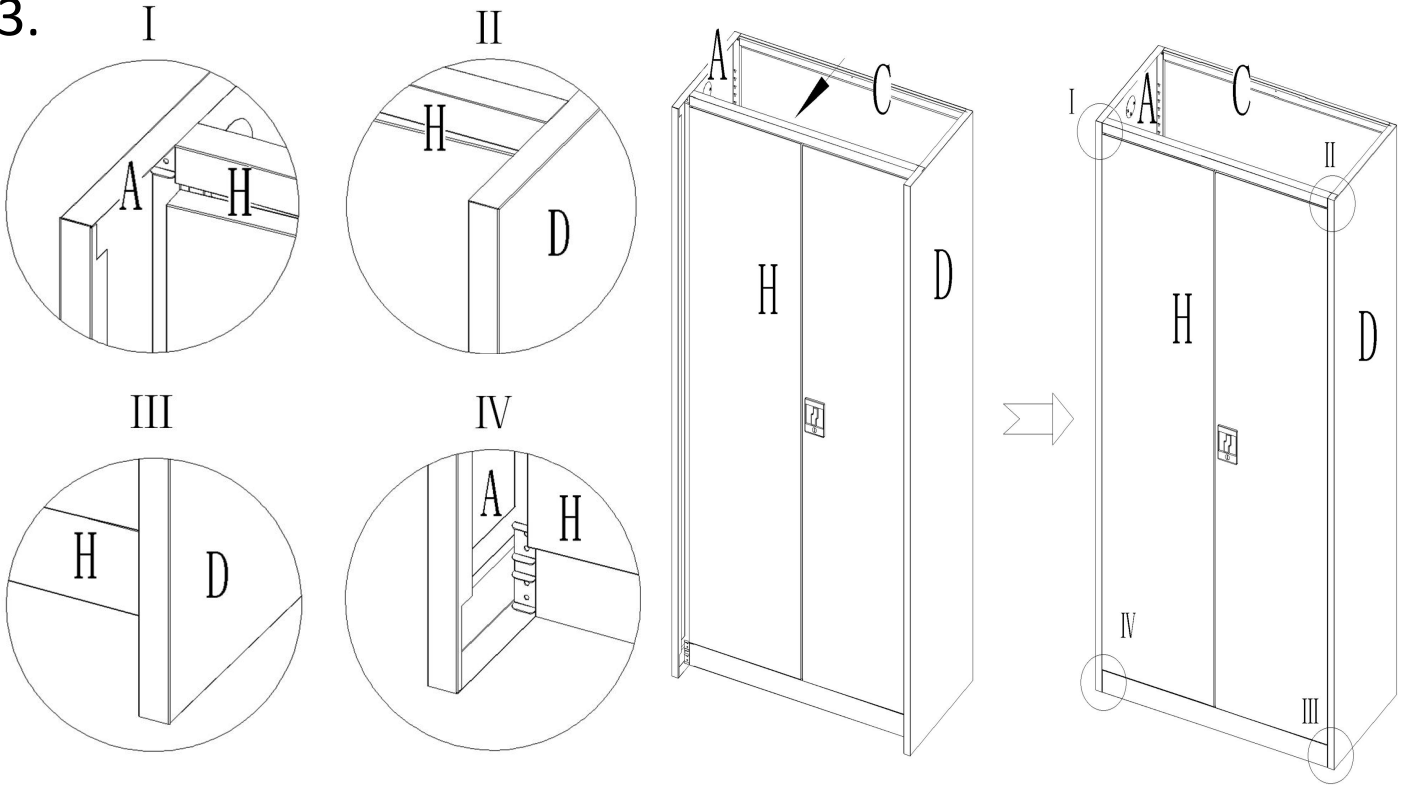


Bill of Material:

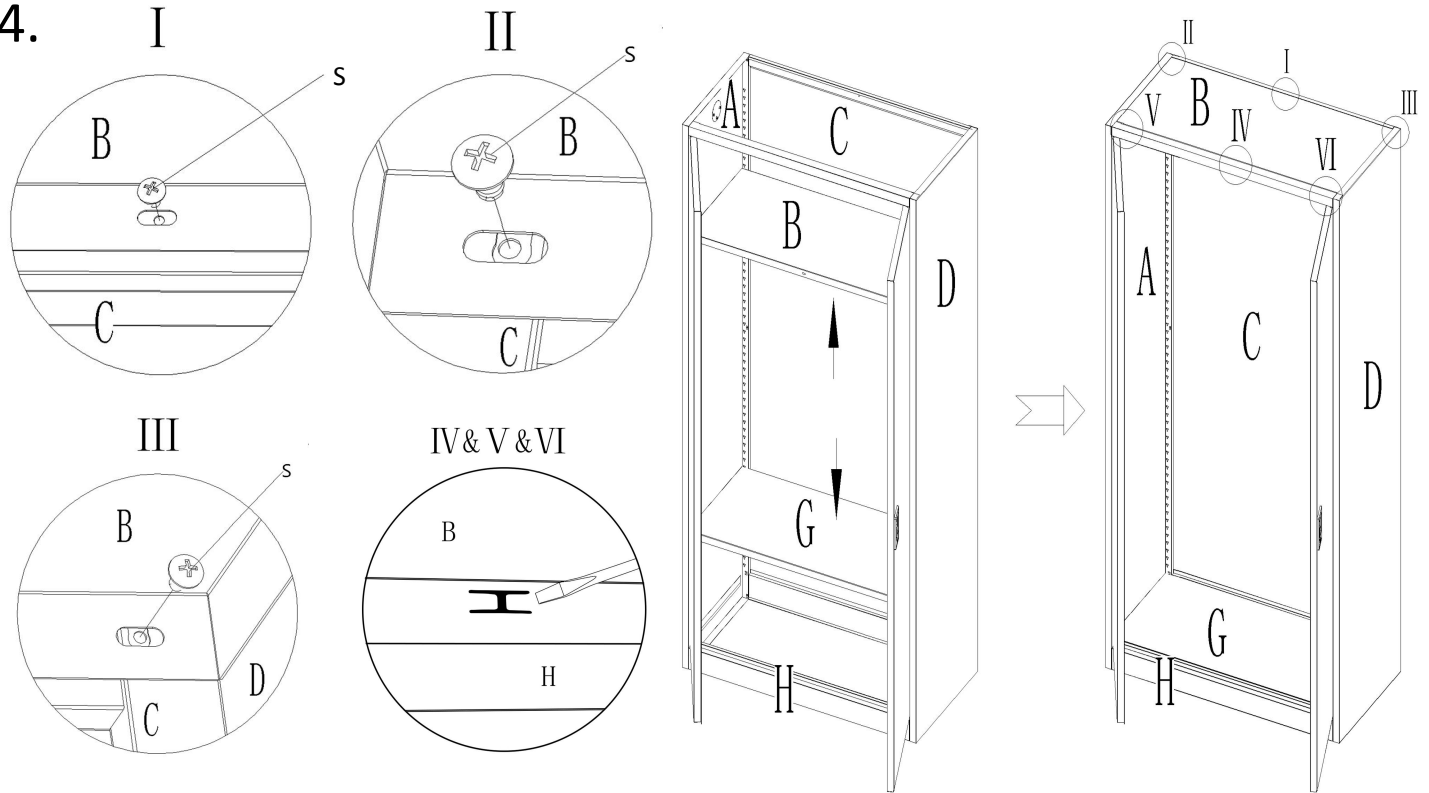
No.	Size(mm)	Quantity(pc)
TOP		
B	411*896	x1
MIDDLE		
A	450*1800	x1
D	450*1800	x1
C	900*1800	x1
H	900*1800	x1
E	900	x1
F	411*896	x4
UNDER		
G	411*896	x1
K	36*450	x2
L	36*900	x2
M	60*60*110	x4
ANNEX		
J		x16
S		x7
N		x16



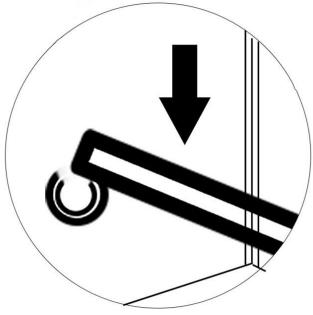
3.



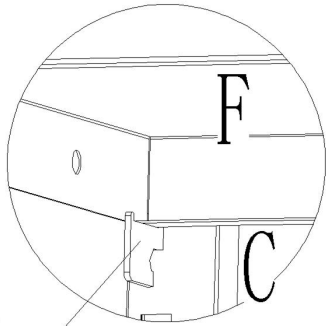
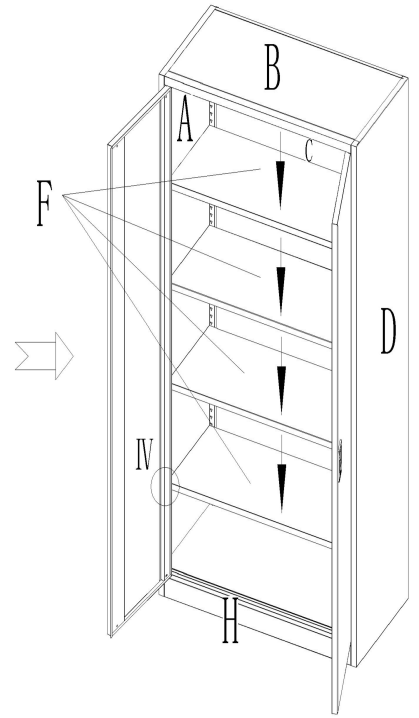
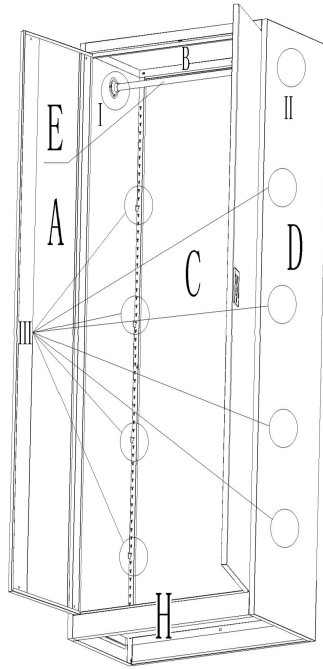
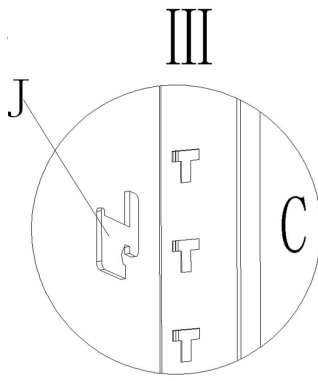
4.



5. I & II



IV



J

6.

